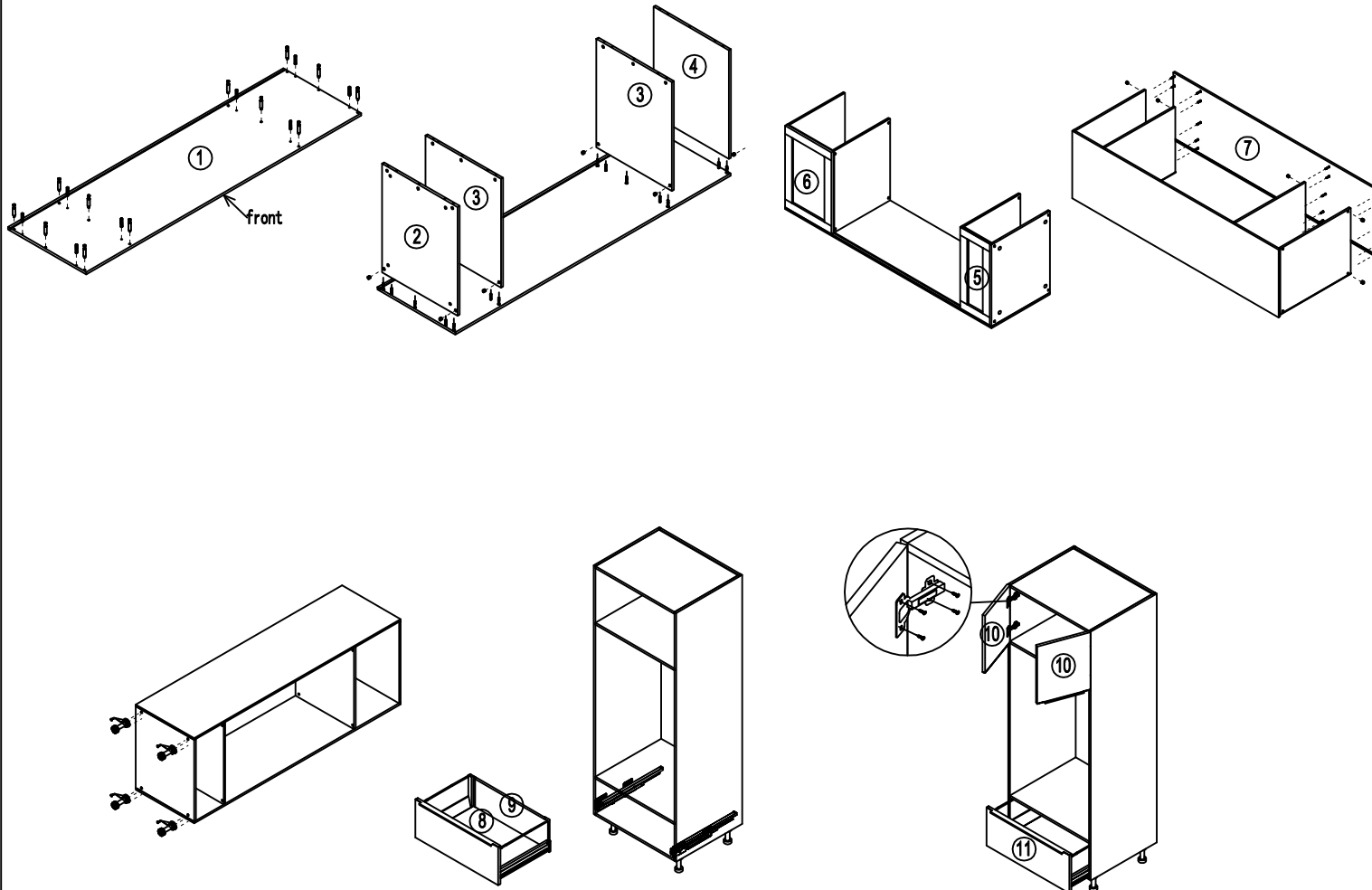


ASSEMBLY INSTRUCTION

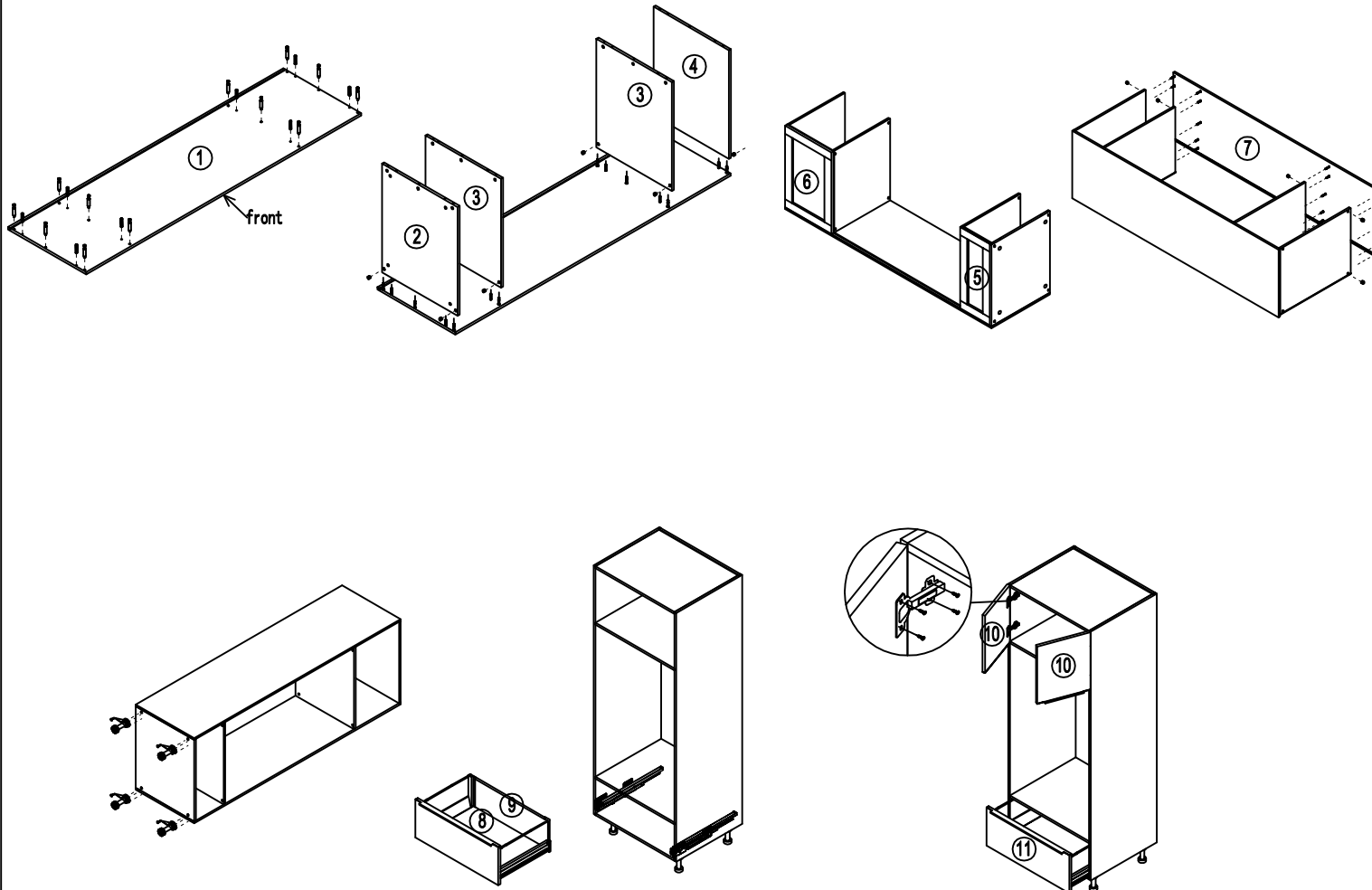
DOC3084



DOC3084				
PICTURE	ITEM	SPEC	QTY.	
	Hinge	Damper hinges	4	
	Cam lock	Ø15*13	32	
	Cam lock screw	Ø8*35	32	
	Dowel	Ø8*35	16	
	ABS leg	4 3/4"±3/4"	4	
	Drawer slide(H)	Length=19 5/8"	1	
BOX				
Part	L	W	T	QTY.
1 Left panel	79 1/4"	23 7/8"	3/4"	1
2 Bottom panel	23 3/8"	28 1/2"	3/4"	1
3 Fix shelf	22 7/8"	28 1/2"	3/4"	2
4 Top panel	22 7/8"	28 1/2"	3/4"	1
5 Back panel1	11 3/8"	28 7/8"	3/4"	1
6 Back panel2	15 1/8"	28 7/8"	3/4"	1
7 Right panel	79 1/4"	23 7/8"	3/4"	1
8 Drawer bottom panel	18 3/4"	25 5/8"	5/8"	1
9 Drawer back panel	25 1/8"	7 7/8"	5/8"	1
total 10				
DOOR				
10 Door	14 7/8"	14 5/8"	3/4"	2
11 Drawer front	29 7/8"	11 7/8"	3/4"	1

ASSEMBLY INSTRUCTION

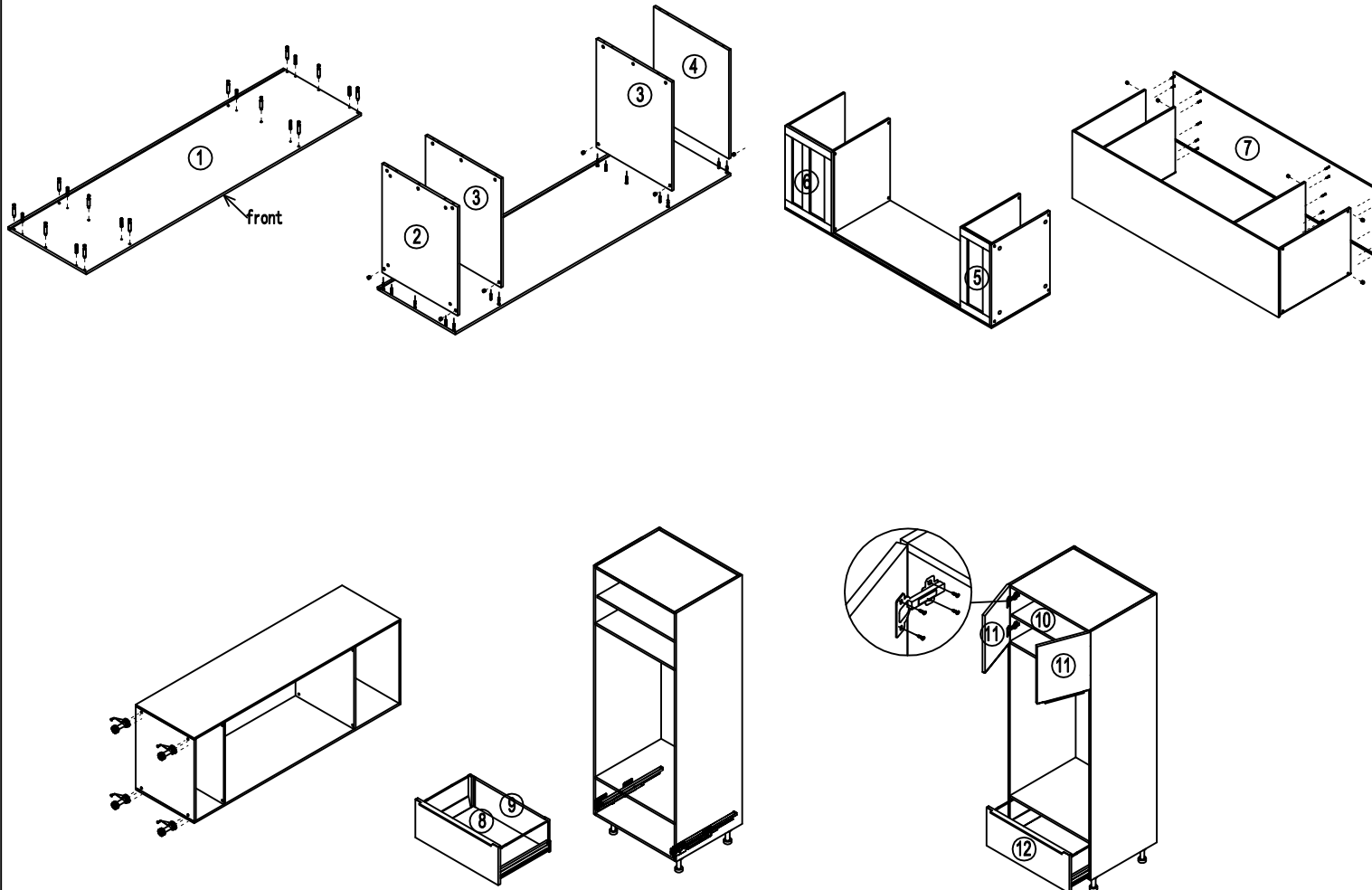
DOC3090



DOC3090					
PICTURE	ITEM	SPEC	QTY.		
	Hinge	Damper hinges	4		
	Cam lock	Ø15*13	32		
	Cam lock screw	Ø8*35	32		
	Dowel	Ø8*35	16		
	ABS leg	4 3/4"±3/4"	4		
	Drawer slide(H)	Length=19 5/8"	1		
BOX					
Part	L	W	T	QTY.	
1	Left panel	85 1/4"	23 7/8"	3/4"	1
2	Bottom panel	23 3/8"	28 1/2"	3/4"	1
3	Fix shelf	22 7/8"	28 1/2"	3/4"	2
4	Top panel	22 7/8"	28 1/2"	3/4"	1
5	Back panel1	11 3/8"	28 7/8"	3/4"	1
6	Back panel2	21 1/8"	28 7/8"	3/4"	1
7	Right panel	85 1/4"	23 7/8"	3/4"	1
8	Drawer bottom panel	18 3/4"	25 5/8"	5/8"	1
9	Drawer back panel	25 1/8"	7 7/8"	5/8"	1
total 10					
DOOR					
10	Door	14 7/8"	20 5/8"	3/4"	2
11	Drawer front	29 7/8"	11 7/8"	3/4"	1

ASSEMBLY INSTRUCTION

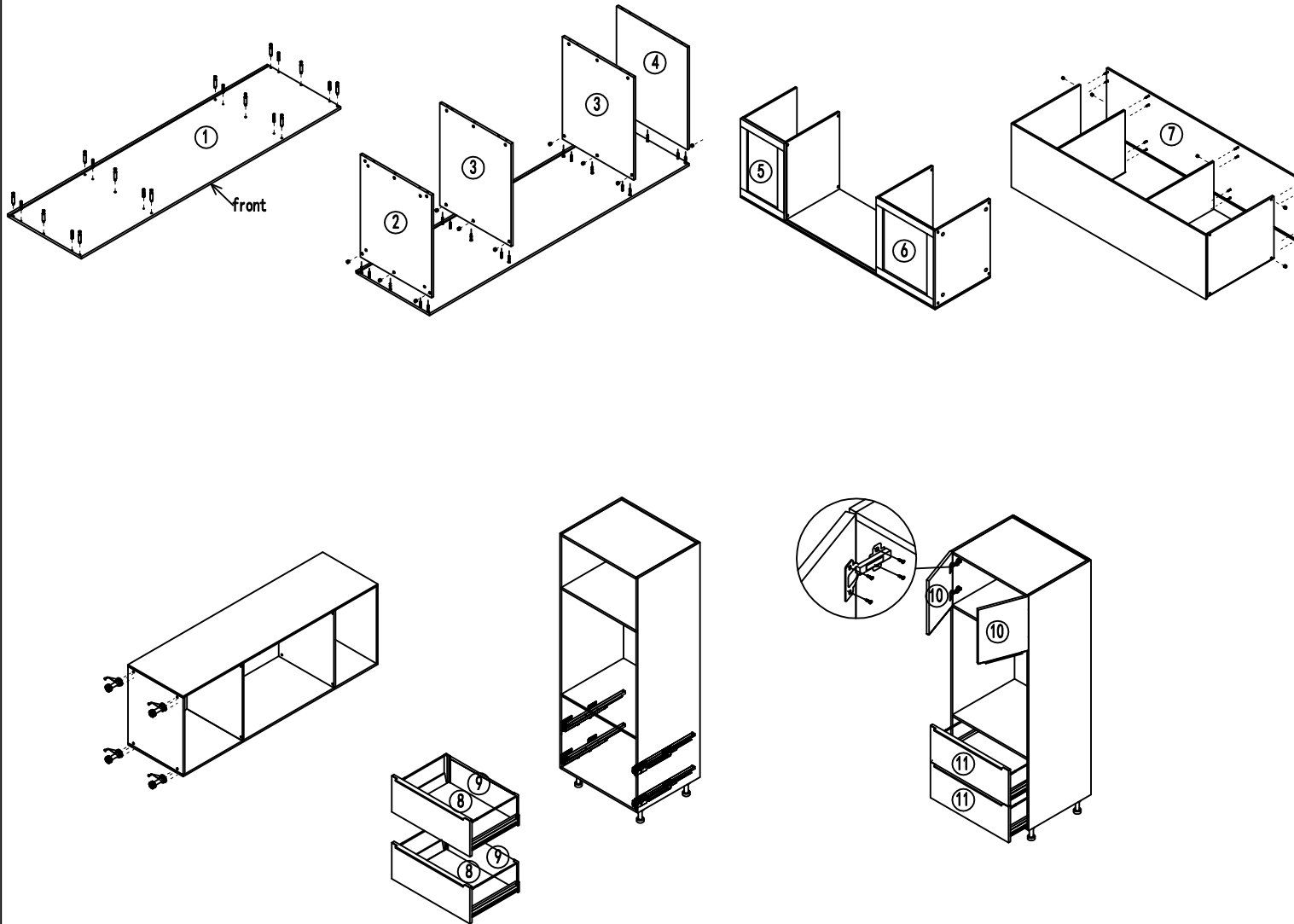
DOC3096



DOC3096					
PICTURE	ITEM	SPEC	QTY.		
	Hinge	Damper hinges	4		
	Cam lock	Ø15*13	32		
	Cam lock screw	Ø8*35	32		
	Dowel	Ø8*35	16		
	ABS leg	4 3/4"±3/4"	4		
	Drawer slide(H)	Length=19 5/8"	1		
	Shelf support	Ø5	4		
BOX					
Part	L	W	T	QTY.	
1	Left panel	91 1/4"	23 7/8"	3/4"	1
2	Bottom panel	23 3/8"	28 1/2"	3/4"	1
3	Fix shelf	22 7/8"	28 1/2"	3/4"	2
4	Top panel	22 7/8"	28 1/2"	3/4"	1
5	Back panel1	11 3/8"	28 7/8"	3/4"	1
6	Back panel2	27 1/8"	28 7/8"	3/4"	1
7	Right panel	91 1/4"	23 7/8"	3/4"	1
8	Drawer bottom panel	18 3/4"	25 5/8"	5/8"	1
9	Drawer back panel	25 1/8"	7 7/8"	5/8"	1
10	shelf	28 1/2"	22 3/8"	3/4"	1
				total 11	
DOOR					
11	Door	14 7/8"	26 5/8"	3/4"	2
12	Drawer front	29 7/8"	11 7/8"	3/4"	1

ASSEMBLY INSTRUCTION

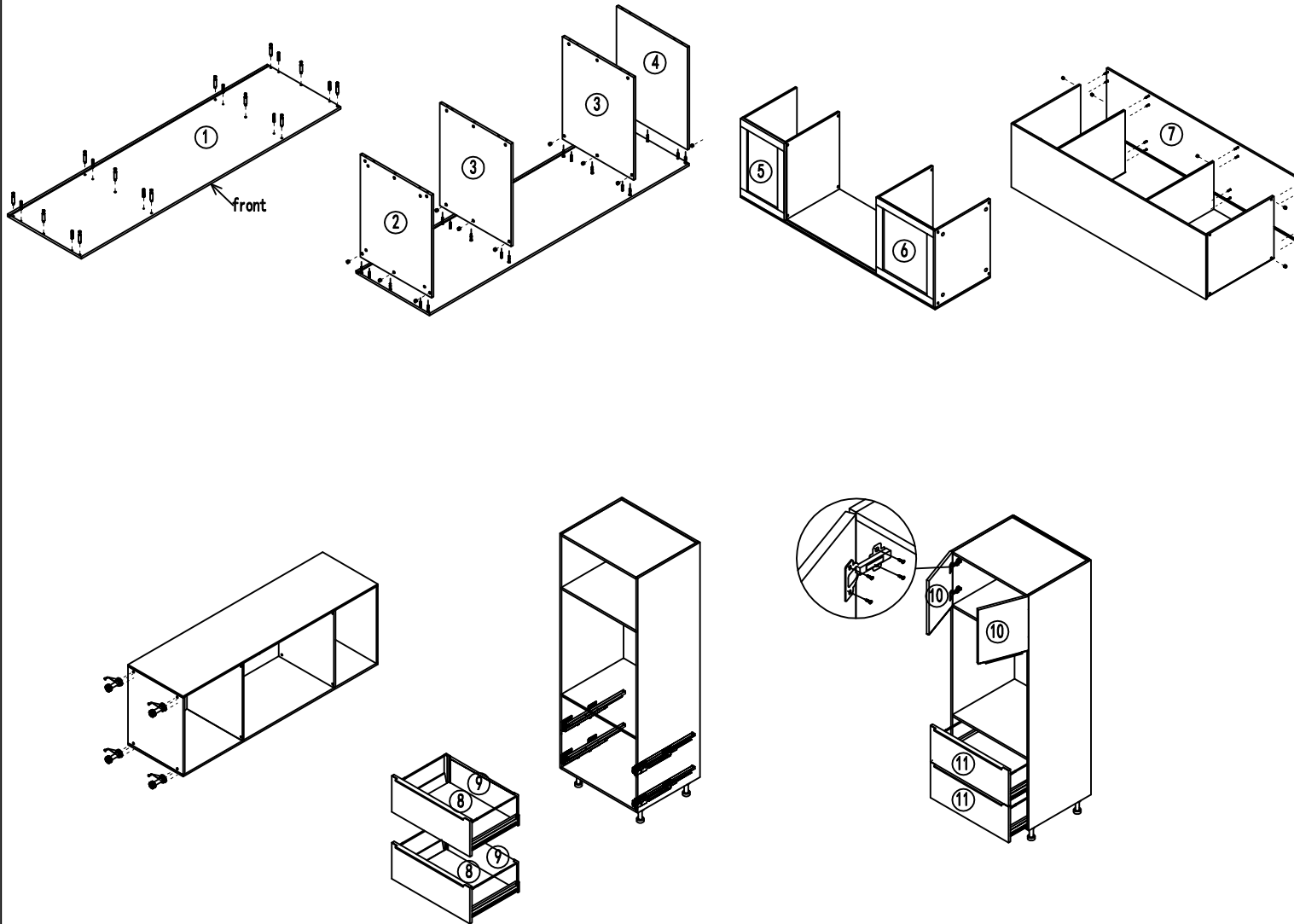
MOC3084



MOC3084				
PICTURE	ITEM	SPEC	QTY.	
	Hinge	Damper hinges	4	
	Cam lock	Ø15*13	34	
	Cam lock screw	Ø8*35	34	
	Dowel	Ø8*35	16	
	ABS Leg	4 3/4" ± 3/4"	4	
	drawer slide (H)	Length=19 5/8"	2	
BOX				
Part	L	W	T	QTY.
1 Left panel	79 1/4"	23 7/8"	3/4"	1
2 Bottom panel	23 3/8"	28 1/2"	3/4"	1
3 Fix shelf	22 7/8"	28 1/2"	3/4"	2
4 Top panel	22 7/8"	28 1/2"	3/4"	1
5 Back panel1	12 3/8"	28 7/8"	7/8"	1
6 Back panel2	23 3/8"	28 7/8"	7/8"	1
7 Right panel	79 1/4"	23 7/8"	3/4"	1
8 Drawer bottom panel	18 3/4"	25 5/8"	5/8"	2
9 Drawer back panel (H)	25 1/8"	7 7/8"	5/8"	2
total 12				
DOOR				
10 Door	14 7/8"	11 7/8"	3/4"	2
11 Drawer front	29 7/8"	11 7/8"	3/4"	2
12 Filler	3 "	29 7/8"	3/4"	1

ASSEMBLY INSTRUCTION

MDC3090

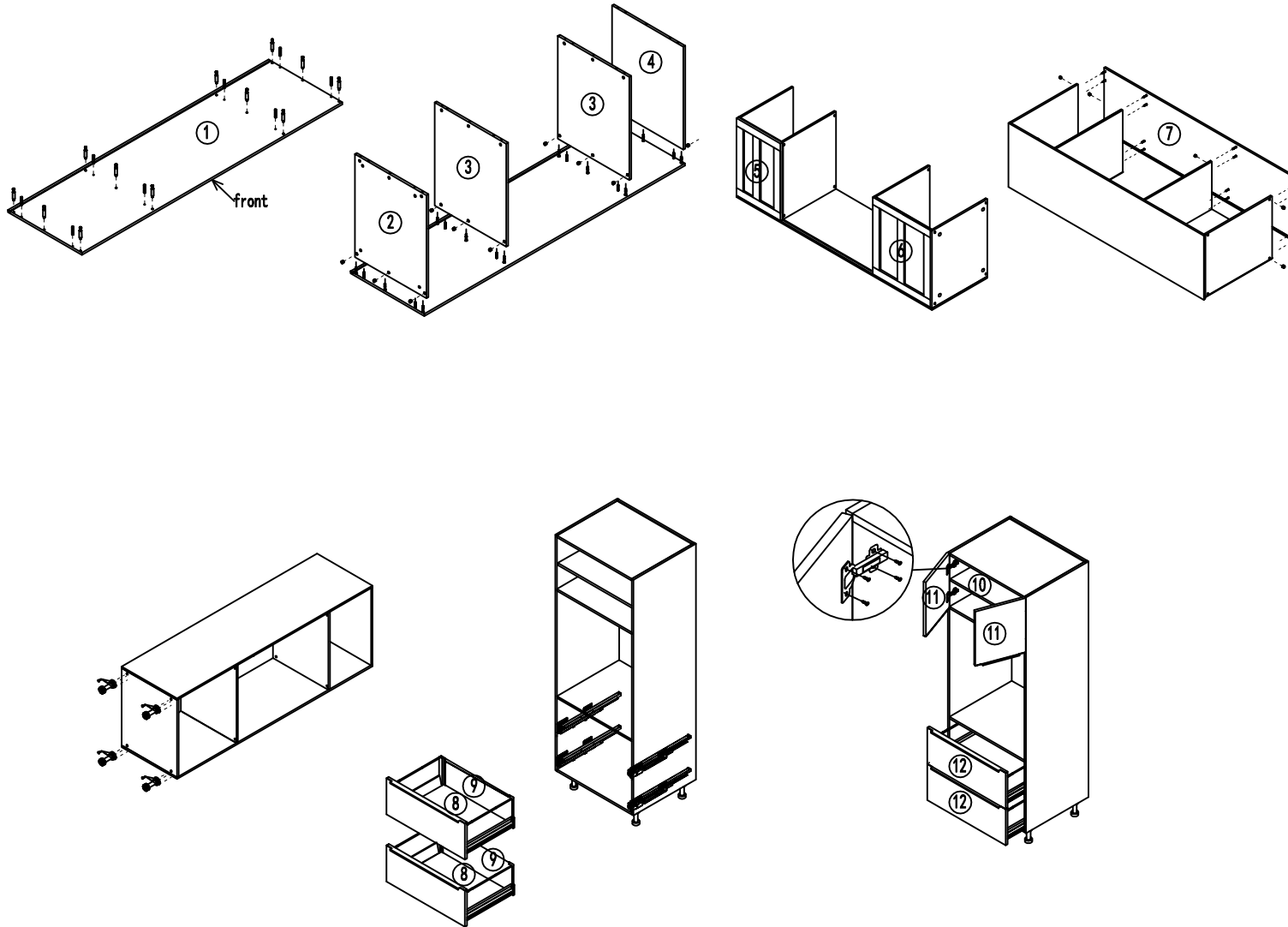


MDC3090

PICTURE	ITEM	SPEC	QTY.		
	Hinge	Damper hinges	4		
	Cam lock	Ø15*13	34		
	Cam lock screw	Ø8*35	34		
	Dowel	Ø8*35	16		
	ABS Leg	4 3/4" ± 3/4"	4		
	drawer slide (H)	Length=19 5/8"	2		
BOX					
	Part	L	W	T	QTY.
1	Left panel	85 1/4"	23 7/8"	3/4"	1
2	Bottom panel	23 3/8"	28 1/2"	3/4"	1
3	Fix shelf	22 7/8"	28 1/2"	3/4"	2
4	Top panel	22 7/8"	28 1/2"	3/4"	1
5	Back panel1	18 3/8"	28 7/8"	7/8"	1
6	Back panel2	23 3/8"	28 7/8"	7/8"	1
7	Right panel	85 1/4"	23 7/8"	3/4"	1
8	Drawer bottom panel	18 3/4"	25 5/8"	5/8"	2
9	Drawer back panel (H)	25 1/8"	7 7/8"	5/8"	2
total 12					
DOOR					
10	Door	14 7/8"	17 7/8"	3/4"	2
11	Drawer front	29 7/8"	11 7/8"	3/4"	2
12	Filler	3 "	29 7/8"	3/4"	1

ASSEMBLY INSTRUCTION

MDC3096

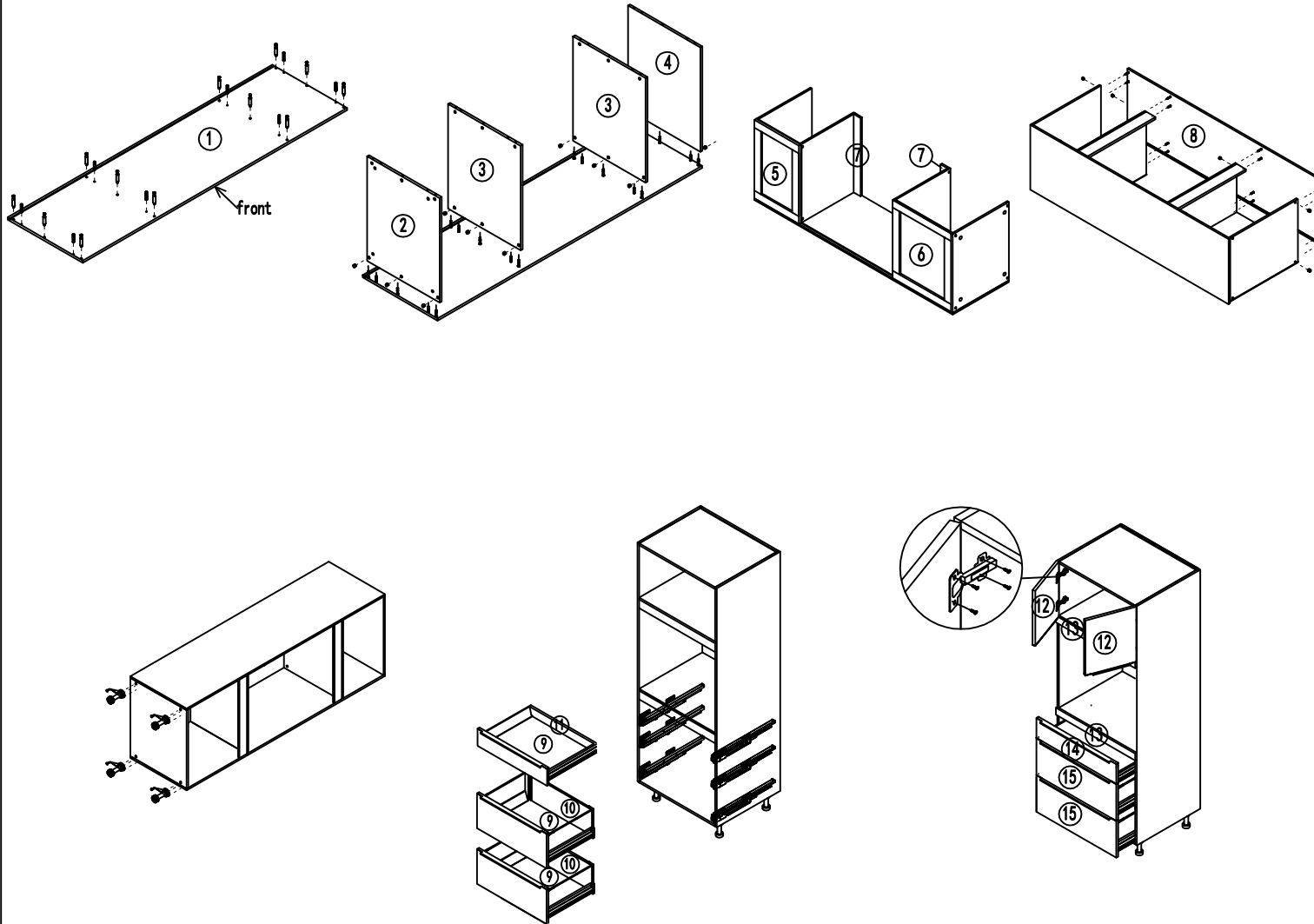


MDC3096

PICTURE	ITEM	SPEC	QTY.		
	Hinge	Damper hinges	4		
	Cam lock	Ø15*13	36		
	Cam lock screw	Ø8*35	36		
	Dowel	Ø8*35	16		
	ABS Leg	4 3/4" ± 3/4"	4		
	Shelf support	Ø5	4		
	drawer slide (H)	Length=19 5/8"	2		
BOX					
Part	L	W	T	QTY.	
1	Left panel	91 1/4"	23 7/8"	3/4"	1
2	Bottom panel	23 3/8"	28 1/2"	3/4"	1
3	Fix shelf	23 3/8"	28 1/2"	3/4"	2
4	Top panel	23 3/8"	28 1/2"	3/4"	1
5	Back panel1	24 3/8"	28 7/8"	7/8"	1
6	Back panel2	23 3/8"	28 7/8"	7/8"	1
7	Right panel	91 1/4"	23 7/8"	3/4"	1
8	Drawer bottom panel	18 3/4"	25 5/8"	5/8"	2
9	Drawer back panel (H)	25 1/8"	7 7/8"	5/8"	2
10	shelf	22 3/8"	28 1/2"	3/4"	1
				total 13	
DOOR					
11	Door	14 7/8"	23 7/8"	3/4"	2
12	Drawer front	29 7/8"	11 7/8"	3/4"	2
13	Filler	3 "	29 7/8"	3/4"	1

ASSEMBLY INSTRUCTION

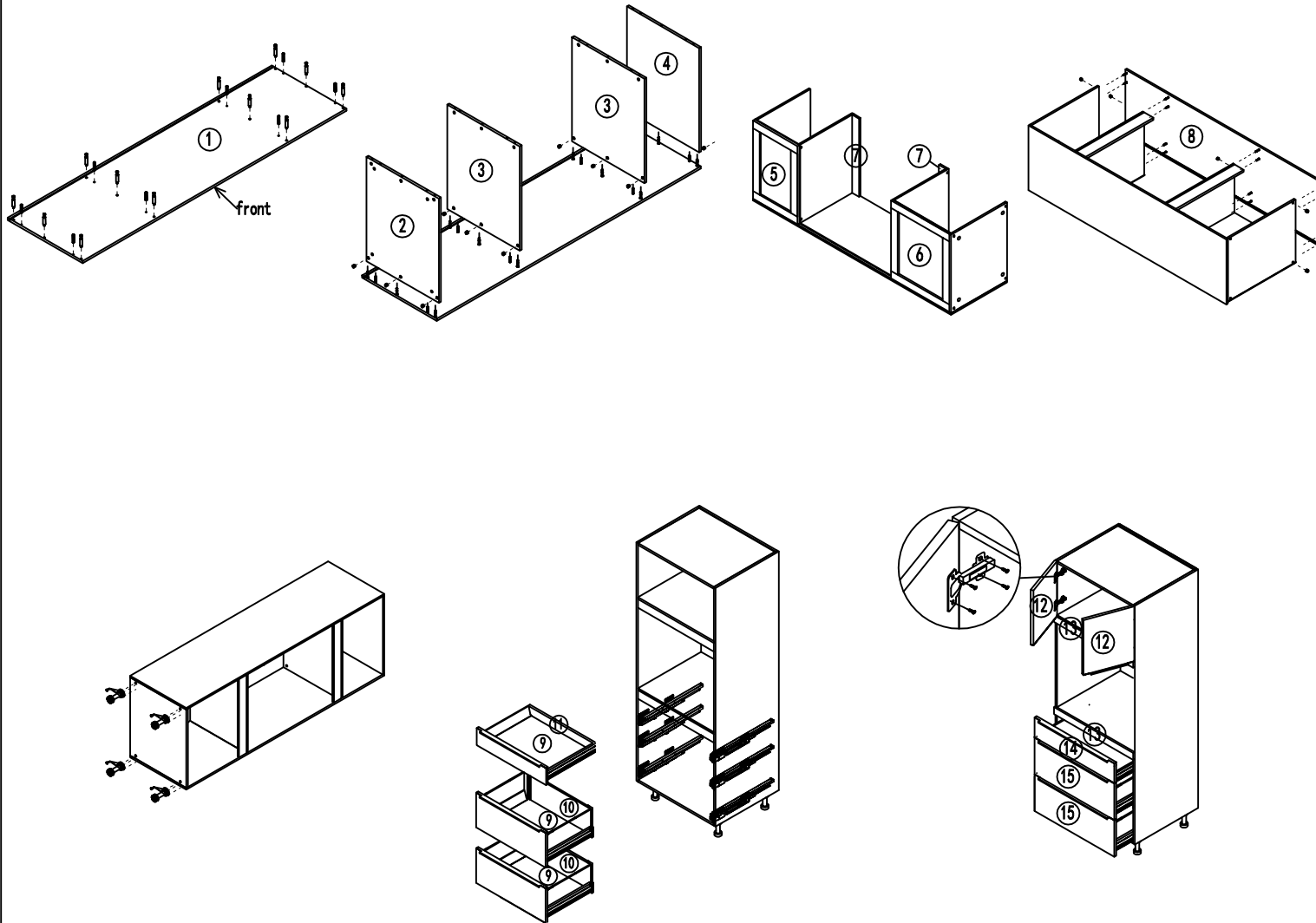
OC3084



OC3084			
PICTURE	ITEM	SPEC	QTY.
	Hinge	Damper hinges	4
	Cam lock	Ø15*13	38
	Cam lock screw	Ø8*35	38
	Dowel	Ø8*35	20
	ABS Leg	4 3/4" ± 3/4"	4
	drawer slide (N)	Length=19 5/8"	1
	drawer slide (H)	Length=19 5/8"	2
BOX			
Part	L	W	T QTY.
1	Left panel	79 1/4"	23 7/8" 3/4" 1
2	Bottom panel	23 3/8"	28 1/2" 3/4" 1
3	Fix shelf	22 7/8"	28 1/2" 3/4" 2
4	Top panel	22 7/8"	28 1/2" 3/4" 1
5	Back panel1	12 3/8"	28 7/8" 7/8" 1
6	Back panel2	33 1/8"	28 7/8" 7/8" 1
7	Front panel	28 1/2"	3 1/8" 7/8" 2
8	Right panel	79 1/4"	23 7/8" 3/4" 1
9	Drawer bottom panel	18 3/4"	25 5/8" 5/8" 3
10	Drawer back panel (H)	25 1/8"	7 7/8" 5/8" 2
11	Drawer back panel (N)	25 1/8"	3 1/4" 5/8" 1
total 16			
DOOR			
12	Door	14 7/8"	11 7/8" 3/4" 2
13	Filler	29 7/8"	3 3/4" 3/4" 2
14	Drawer front	29 7/8"	5 7/8" 3/4" 1
15	Drawer front	29 7/8"	11 7/8" 3/4" 2

ASSEMBLY INSTRUCTION

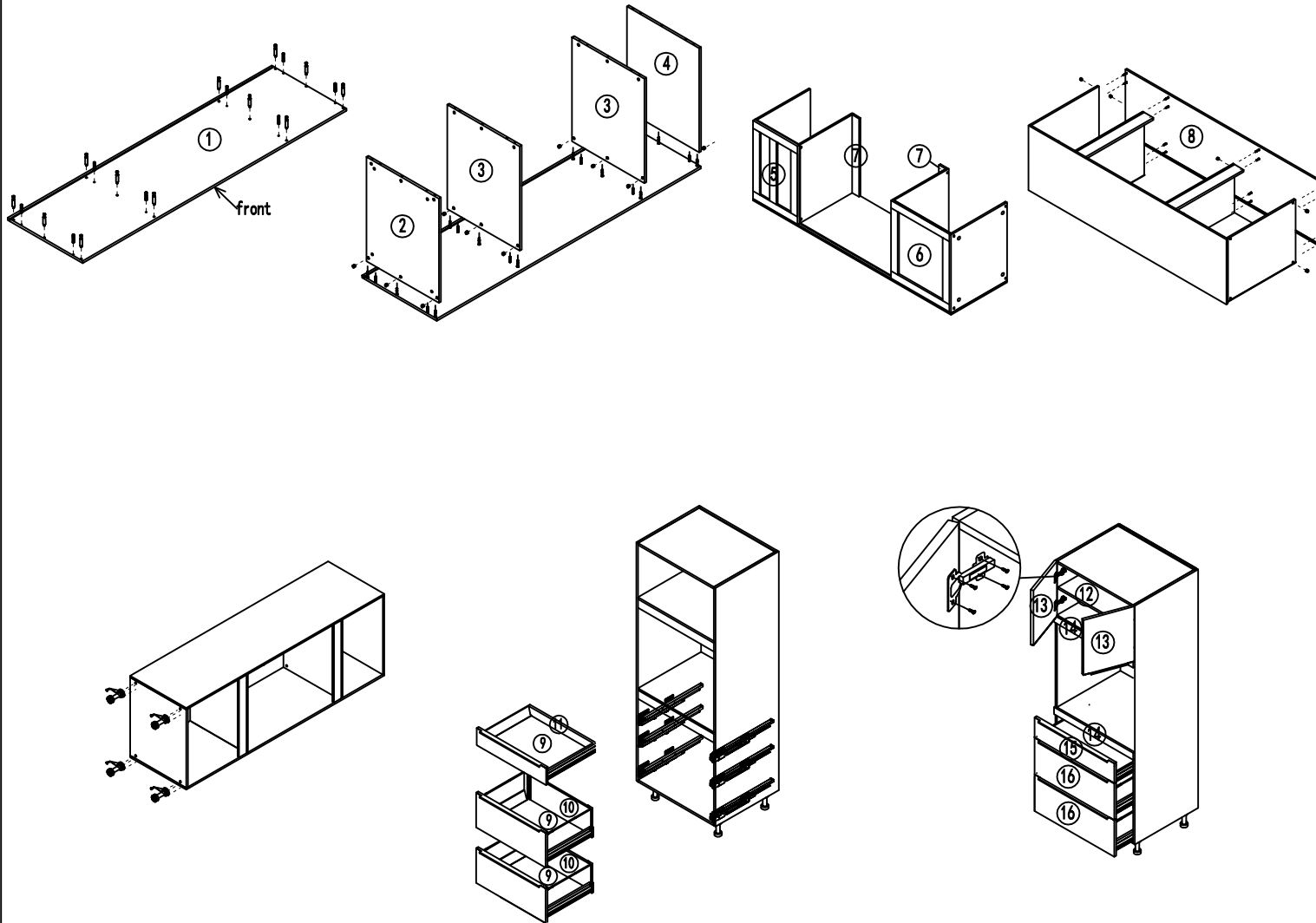
OC3090



OC3090					
PICTURE	ITEM	SPEC	QTY.		
	Hinge	Damper hinges	4		
	Cam lock	Ø15*13	38		
	Cam lock screw	Ø8*35	38		
	Dowel	Ø8*35	20		
	ABS Leg	4 3/4" ± 3/4"	4		
	drawer slide (N)	Length=19 5/8"	1		
	drawer slide (H)	Length=19 5/8"	2		
BOX					
Part	L	W	T	QTY.	
1	Left panel	85 1/4"	23 7/8"	3/4"	1
2	Bottom panel	23 3/8"	28 1/2"	3/4"	1
3	Fix shelf	22 7/8"	28 1/2"	3/4"	2
4	Top panel	22 7/8"	28 1/2"	3/4"	1
5	Back panel1	18 1/4"	28 7/8"	7/8"	1
6	Back panel2	33 1/8"	28 7/8"	7/8"	1
7	Front panel	28 1/2"	3 1/8"	7/8"	2
8	Right panel	85 1/4"	23 7/8"	3/4"	1
9	Drawer bottom panel	18 3/4"	25 5/8"	5/8"	3
10	Drawer back panel (H)	25 1/8"	7 7/8"	5/8"	2
11	Drawer back panel (N)	25 1/8"	3 1/4"	5/8"	1
total				16	
DOOR					
12	Door	14 7/8"	17 7/8"	3/4"	2
13	Filler	29 7/8"	3 3/4"	3/4"	2
14	Drawer front	29 7/8"	5 7/8"	3/4"	1
15	Drawer front	29 7/8"	11 7/8"	3/4"	2

ASSEMBLY INSTRUCTION

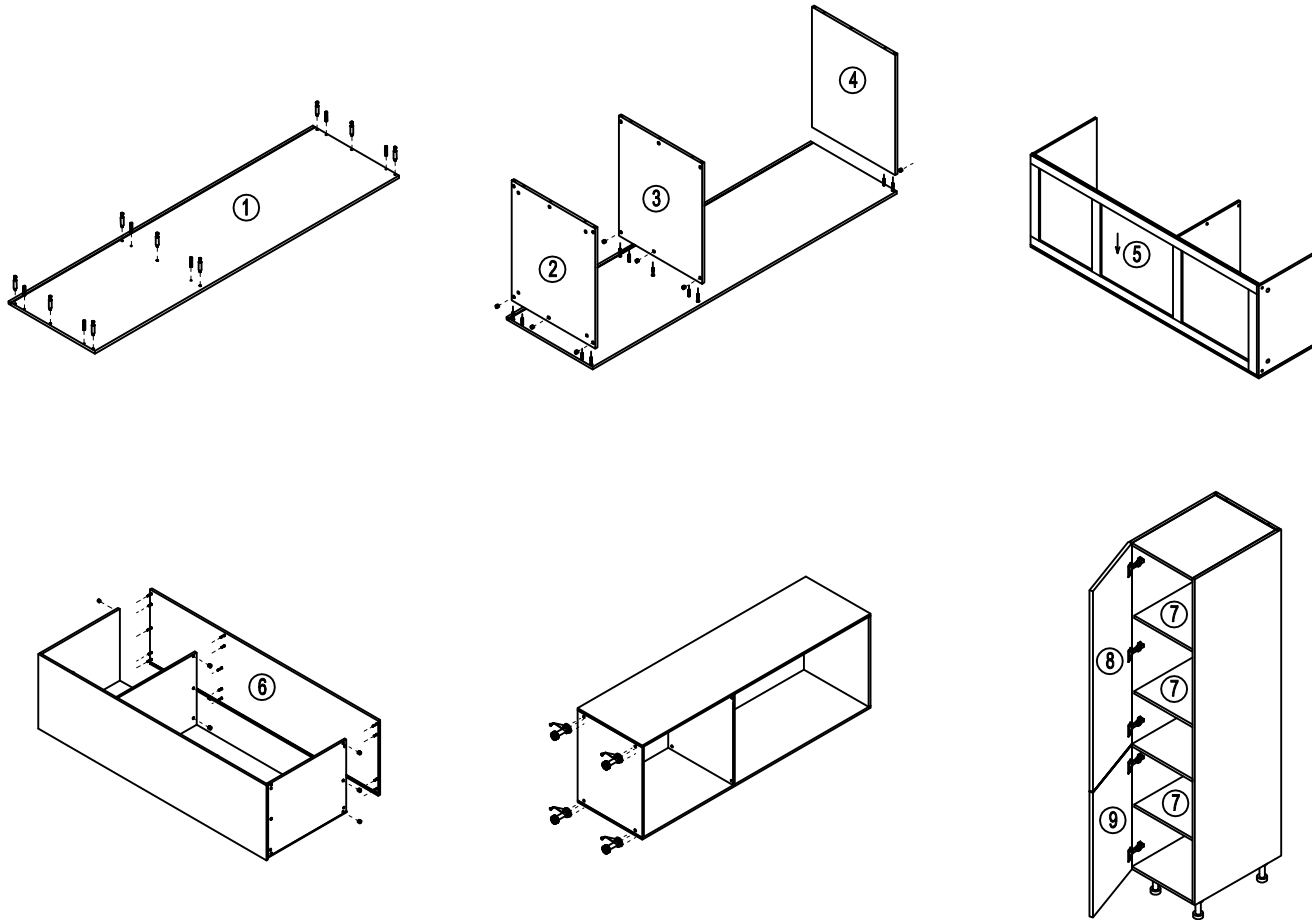
OC3096



OC3096			
PICTURE	ITEM	SPEC	QTY.
	Hinge	Damper hinges	4
	Cam lock	Ø15*13	40
	Cam lock screw	Ø8*35	40
	Dowel	Ø8*35	20
	ABS Leg	4 3/4" ± 3/4"	4
	drawer slide (N)	Length=19 5/8"	1
	Shelf support	Ø5	4
BOX			
	Part	L W T	QTY.
1	Left panel	91 1/4" 23 7/8" 3/4"	1
2	Bottom panel	23 3/8" 28 1/2" 3/4"	1
3	Fix shelf	22 7/8" 28 1/2" 3/4"	2
4	Top panel	22 7/8" 28 1/2" 3/4"	1
5	Back panel1	24 1/4" 28 7/8" 7/8"	1
6	Back panel2	33 1/8" 28 7/8" 7/8"	1
7	Front panel	28 1/2" 3 1/8" 7/8"	2
8	Right panel	91 1/4" 23 7/8" 3/4"	1
9	Drawer bottom panel	18 3/4" 25 5/8" 5/8"	3
10	Drawer back panel (H)	25 1/8" 7 7/8" 5/8"	2
11	Drawer back panel (N)	25 1/8" 3 1/4" 5/8"	1
12	shelf	28 1/2" 22 3/8" 3/4"	1
total 17			
DOOR			
13	Door	14 7/8" 23 7/8" 3/4"	2
14	Filler	29 7/8" 3 3/4" 3/4"	2
15	Drawer front	29 7/8" 5 7/8" 3/4"	1
16	Drawer front	29 7/8" 11 7/8" 3/4"	2

ASSEMBLY INSTRUCTION

PC1584



PC1584

PICTURE	ITEM	SPEC	QTY.
	Hinge	Damper hinges	5
	Cam lock	Ø15*13	32
	Cam lock screw	Ø8*35	32
	Dowel	Ø8*35	12
	Shelf support	Ø5	12
	ABS leg	4 3/4"±3/4"	4

BOX

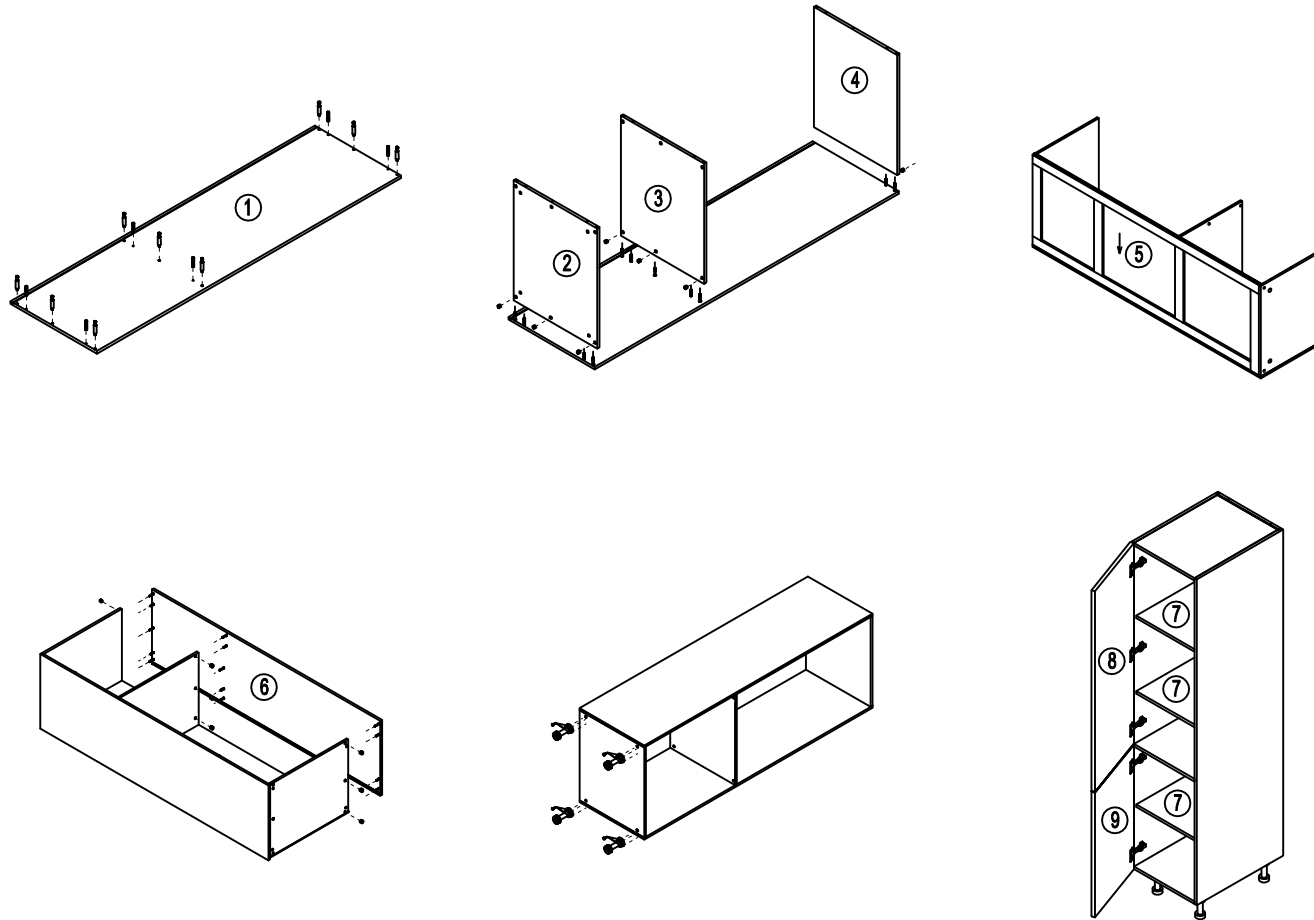
Part	L	W	T	QTY.
1 Left panel	79 1/4"	23 7/8"	3/4"	1
2 Bottom panel	23 3/8"	13 1/2"	3/4"	1
3 Fix shelf	22 7/8"	13 1/2"	3/4"	1
4 Top panel	22 7/8"	13 1/2"	3/4"	1
5 Back panel	78 5/8"	13 7/8"	7/8"	1
6 Right panel	79 1/4"	23 7/8"	3/4"	1
7 shelf	22 3/8"	13 1/2"	3/4"	3
				total 9

DOOR

8 Door	14 7/8"	49 1/4"	3/4"	1
9 Door	14 7/8"	29 7/8"	3/4"	1

ASSEMBLY INSTRUCTION

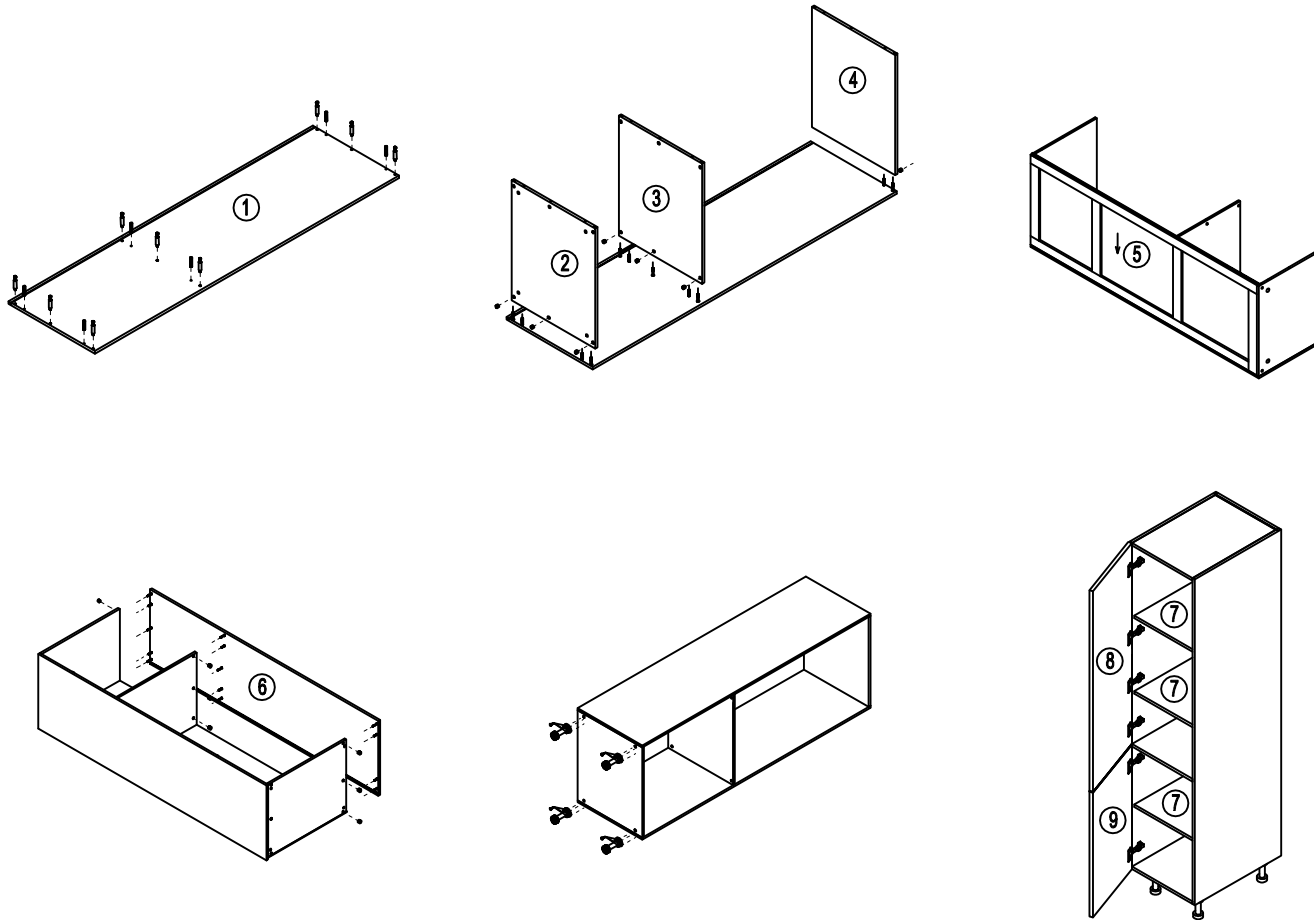
PC1884



PC1884					
PICTURE	ITEM	SPEC	QTY.		
	Hinge	Damper hinges	5		
	Cam lock	Ø15*13	32		
	Cam lock screw	Ø8*35	32		
	Dowel	Ø8*35	12		
	Shelf support	Ø5	12		
	ABS leg	4 3/4"±3/4"	4		
BOX					
Part	L	W	T	QTY.	
1	Left panel	79 1/4"	23 7/8"	3/4"	1
2	Bottom panel	23 3/8"	16 1/2"	3/4"	1
3	Fix shelf	22 7/8"	16 1/2"	3/4"	1
4	Top panel	22 7/8"	16 1/2"	3/4"	1
5	Back panel	78 5/8"	16 7/8"	7/8"	1
6	Right panel	79 1/4"	23 7/8"	3/4"	1
7	shelf	22 3/8"	16 1/2"	3/4"	3
total				9	
DOOR					
8	Door	17 7/8"	49 1/4"	3/4"	1
9	Door	17 7/8"	29 7/8"	3/4"	1

ASSEMBLY INSTRUCTION

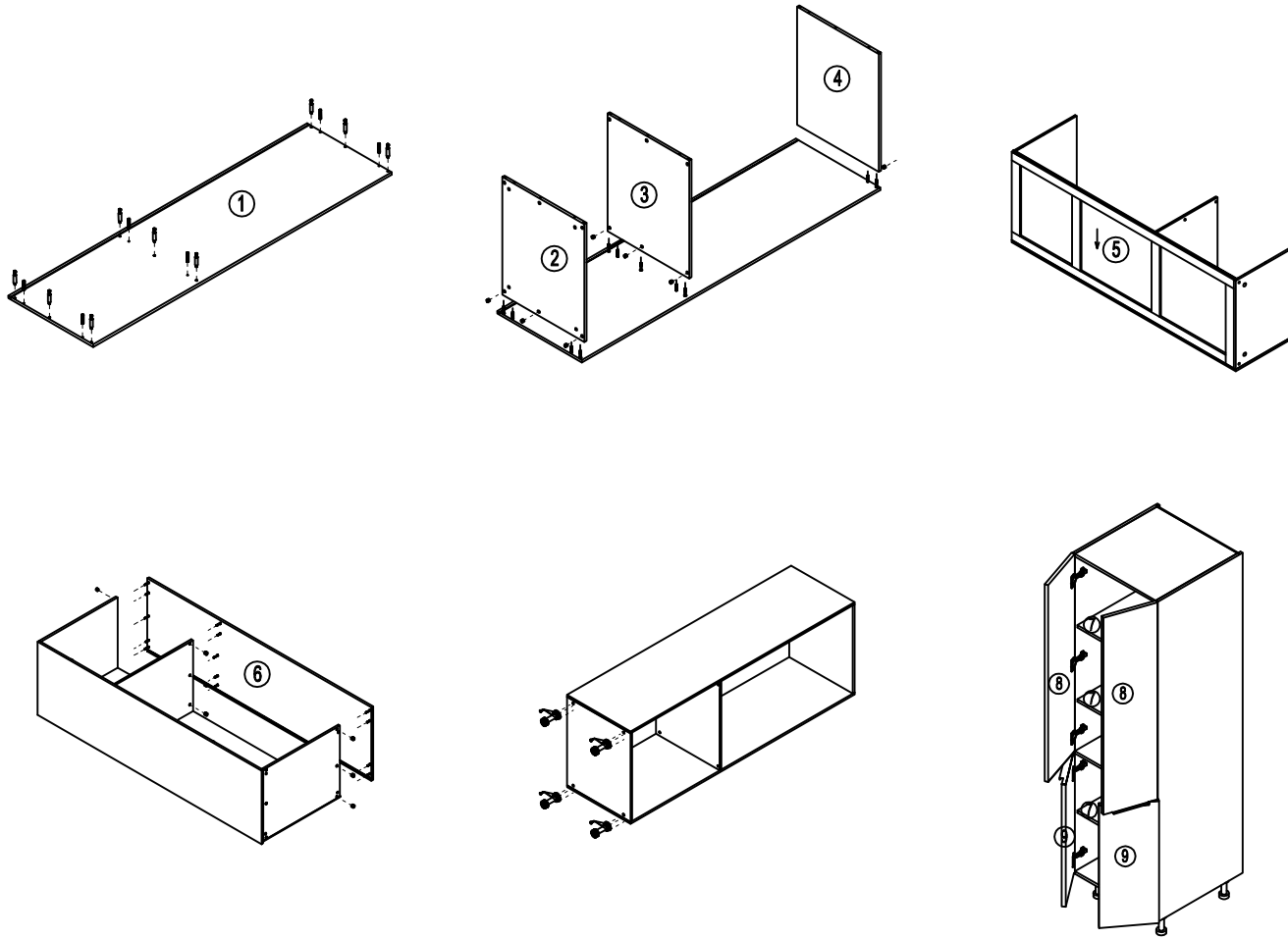
PC2484



PC2484					
PICTURE	ITEM	SPEC	QTY.		
	Hinge	Damper hinges	6		
	Cam lock	Ø15*13	32		
	Cam lock screw	Ø8*35	32		
	Dowel	Ø8*35	12		
	Shelf support	Ø5	12		
	ABS leg	4 3/4"±3/4"	4		
BOX					
Part	L	W	T	QTY.	
1	Left panel	79 1/4"	23 7/8"	3/4"	1
2	Bottom panel	23 3/8"	22 1/2"	3/4"	1
3	Fix shelf	22 7/8"	22 1/2"	3/4"	1
4	Top panel	22 7/8"	22 1/2"	3/4"	1
5	Back panel	78 5/8"	22 7/8"	7/8"	1
6	Right panel	79 1/4"	23 7/8"	3/4"	1
7	shelf	22 3/8"	22 1/2"	3/4"	3
total				9	
DOOR					
8	Door	23 7/8"	49 1/4"	3/4"	1
9	Door	23 7/8"	29 7/8"	3/4"	1

ASSEMBLY INSTRUCTION

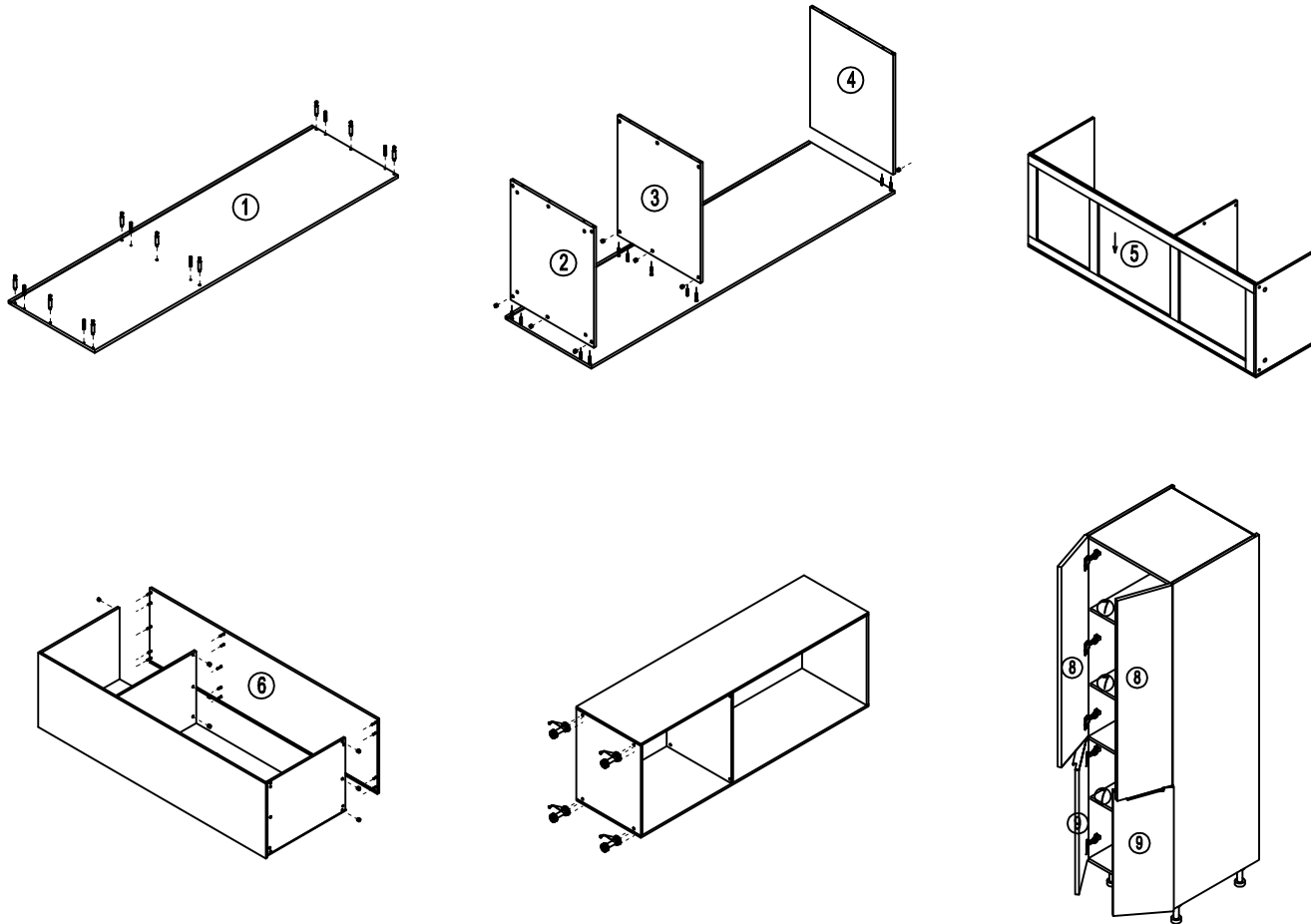
PC2484DD



PC2484DD					
PICTURE	ITEM	SPEC	QTY.		
	Hinge	Damper hinges	10		
	Cam lock	Ø15*13	32		
	Cam lock screw	Ø8*35	32		
	Dowel	Ø8*35	12		
	Shelf support	Ø5	12		
	ABS leg	4 3/4"±3/4"	4		
BOX					
Part	L	W	T	QTY.	
1	Left panel	79 1/4"	23 7/8"	3/4"	1
2	Bottom panel	23 3/8"	22 1/2"	3/4"	1
3	Fix shelf	22 7/8"	22 1/2"	3/4"	1
4	Top panel	22 7/8"	22 1/2"	3/4"	1
5	Back panel	78 5/8"	22 7/8"	7/8"	1
6	Right panel	79 1/4"	23 7/8"	3/4"	1
7	shelf	22 3/8"	22 1/2"	3/4"	3
total				9	
DOOR					
8	Door	11 3/8"	49 1/4"	3/4"	2
9	Door	11 3/8"	29 7/8"	3/4"	2

ASSEMBLY INSTRUCTION

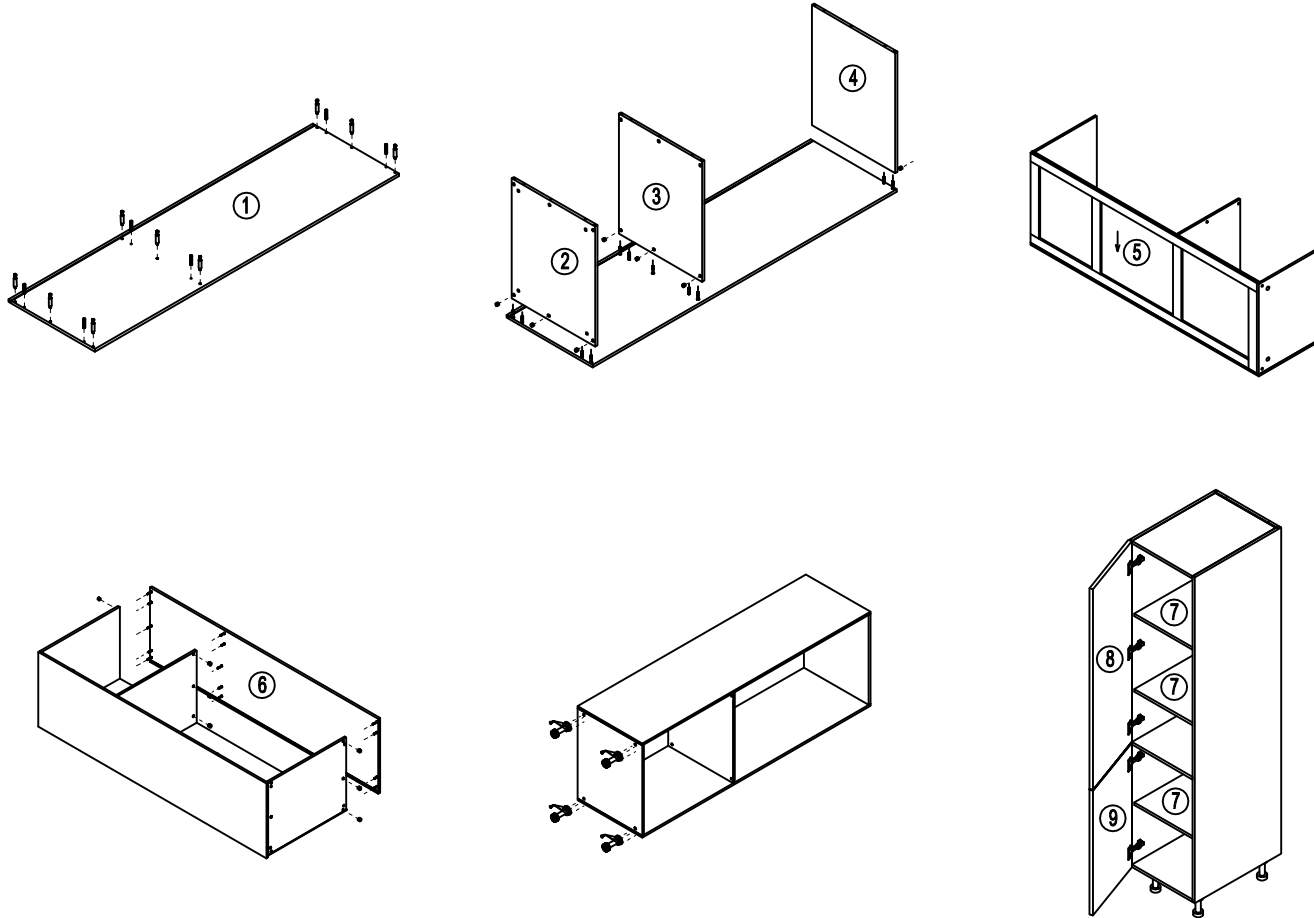
PC3084



PC3084					
PICTURE	ITEM	SPEC	QTY.		
	Hinge	Damper hinges	10		
	Cam lock	Ø15*13	32		
	Cam lock screw	Ø8*35	32		
	Dowel	Ø8*35	12		
	Shelf support	Ø5	12		
	ABS leg	4 3/4"±3/4"	4		
BOX					
Part	L	W	T	QTY.	
1	Left panel	79 1/4"	23 7/8"	3/4"	1
2	Bottom panel	23 3/8"	28 1/2"	3/4"	1
3	Fix shelf	22 7/8"	28 1/2"	3/4"	1
4	Top panel	22 7/8"	28 1/2"	3/4"	1
5	Back panel	78 5/8"	28 7/8"	7/8"	1
6	Right panel	79 1/4"	23 7/8"	3/4"	1
7	shelf	22 3/8"	28 1/2"	3/4"	3
total				9	
DOOR					
8	Door	14 7/8"	49 1/4"	3/4"	2
9	Door	14 7/8"	29 7/8"	3/4"	2

ASSEMBLY INSTRUCTION

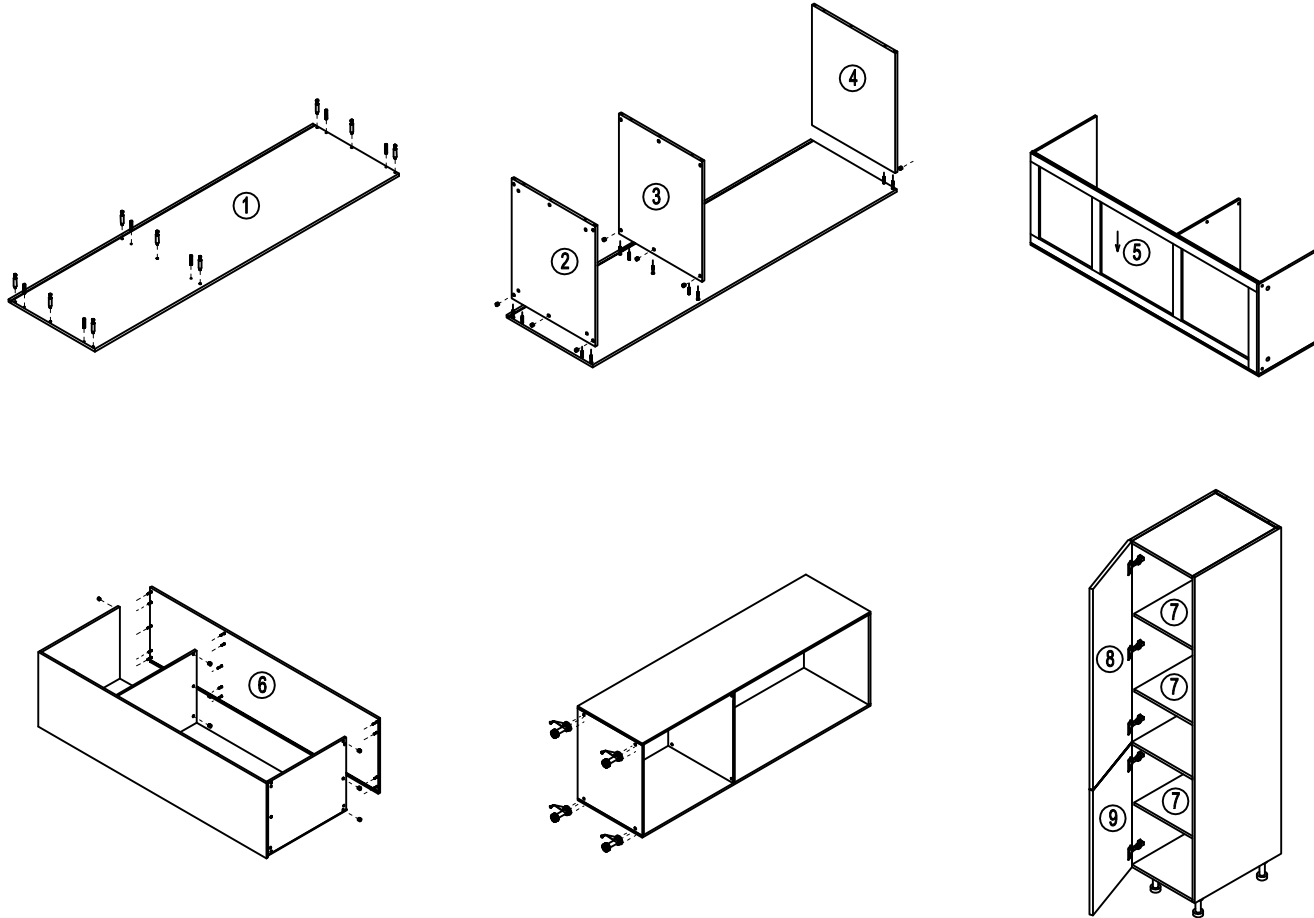
PC1590



PC1590			
PICTURE	ITEM	SPEC	QTY.
	Hinge	Damper hinges	5
	Cam lock	Ø15*13	32
	Cam lock screw	Ø8*35	32
	Dowel	Ø8*35	12
	Shelf support	Ø5	12
	ABS leg	4 3/4"±3/4"	4
BOX			
Part		L W T	QTY.
1	Left panel	85 1/4" 23 7/8" 3/4"	1
2	Bottom panel	23 3/8" 13 1/2" 3/4"	1
3	Fix shelf	22 7/8" 13 1/2" 3/4"	1
4	Top panel	22 7/8" 13 1/2" 3/4"	1
5	Back panel	84 5/8" 13 7/8" 7/8"	1
6	Right panel	85 1/4" 23 7/8" 3/4"	1
7	shelf	22 3/8" 13 1/2" 3/4"	3
			total 9
DOOR			
8	Door	14 7/8" 55 1/8" 3/4"	1
9	Door	14 7/8" 29 7/8" 3/4"	1

ASSEMBLY INSTRUCTION

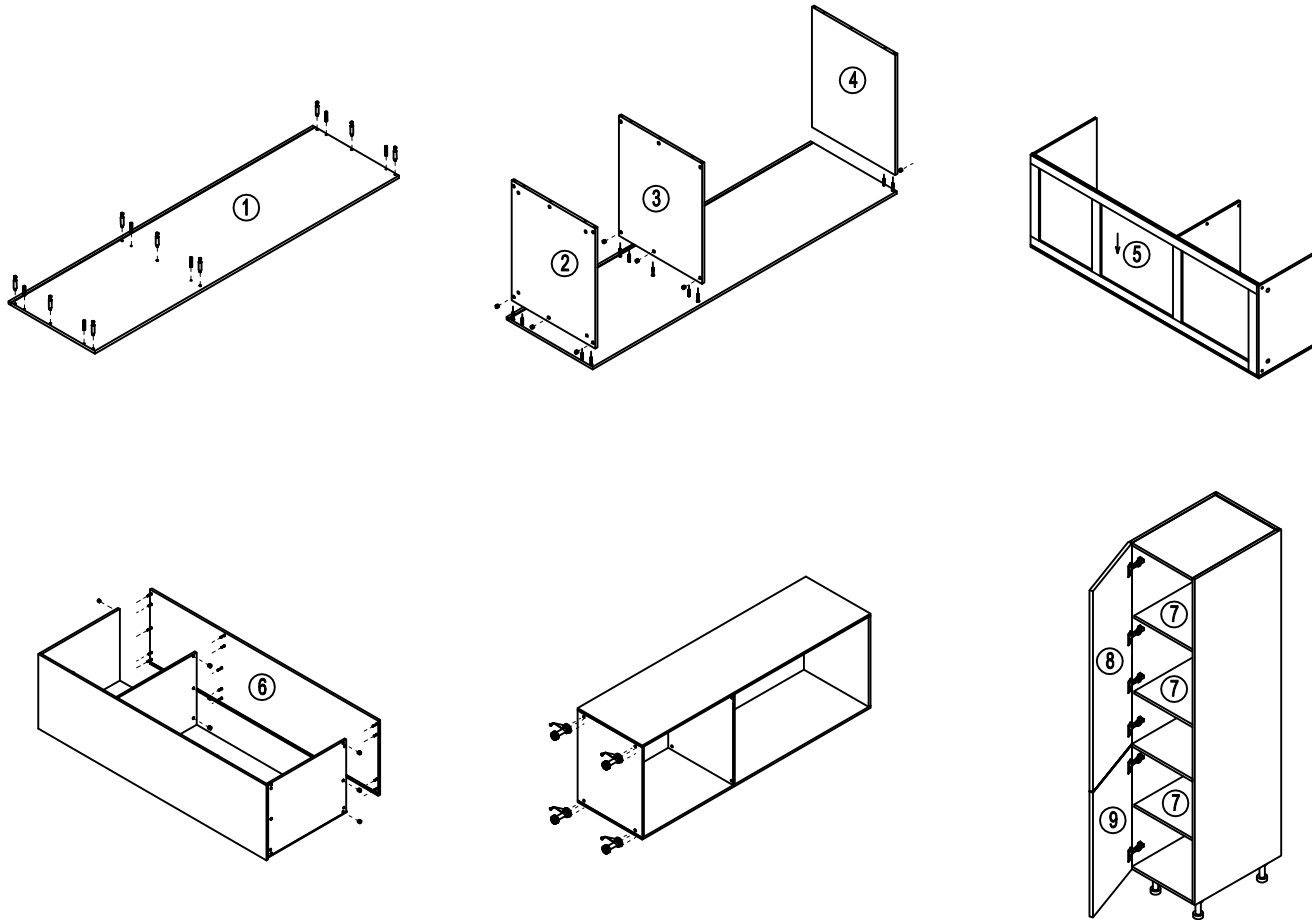
PC1890



PC1890			
PICTURE	ITEM	SPEC	QTY.
	Hinge	Damper hinges	5
	Cam lock	Ø15*13	32
	Cam lock screw	Ø8*35	32
	Dowel	Ø8*35	12
	Shelf support	Ø5	12
	ABS leg	4 3/4"±3/4"	4
BOX			
Part		L W T	QTY.
1	Left panel	85 1/4" 23 7/8" 3/4"	1
2	Bottom panel	23 3/8" 16 1/2" 3/4"	1
3	Fix shelf	22 7/8" 16 1/2" 3/4"	1
4	Top panel	22 7/8" 16 1/2" 3/4"	1
5	Back panel	84 5/8" 16 7/8" 7/8"	1
6	Right panel	85 1/4" 23 7/8" 3/4"	1
7	shelf	22 3/8" 16 1/2" 3/4"	3
			total 9
DOOR			
8	Door	17 7/8" 55 1/8" 3/4"	1
9	Door	17 7/8" 29 7/8" 3/4"	1

ASSEMBLY INSTRUCTION

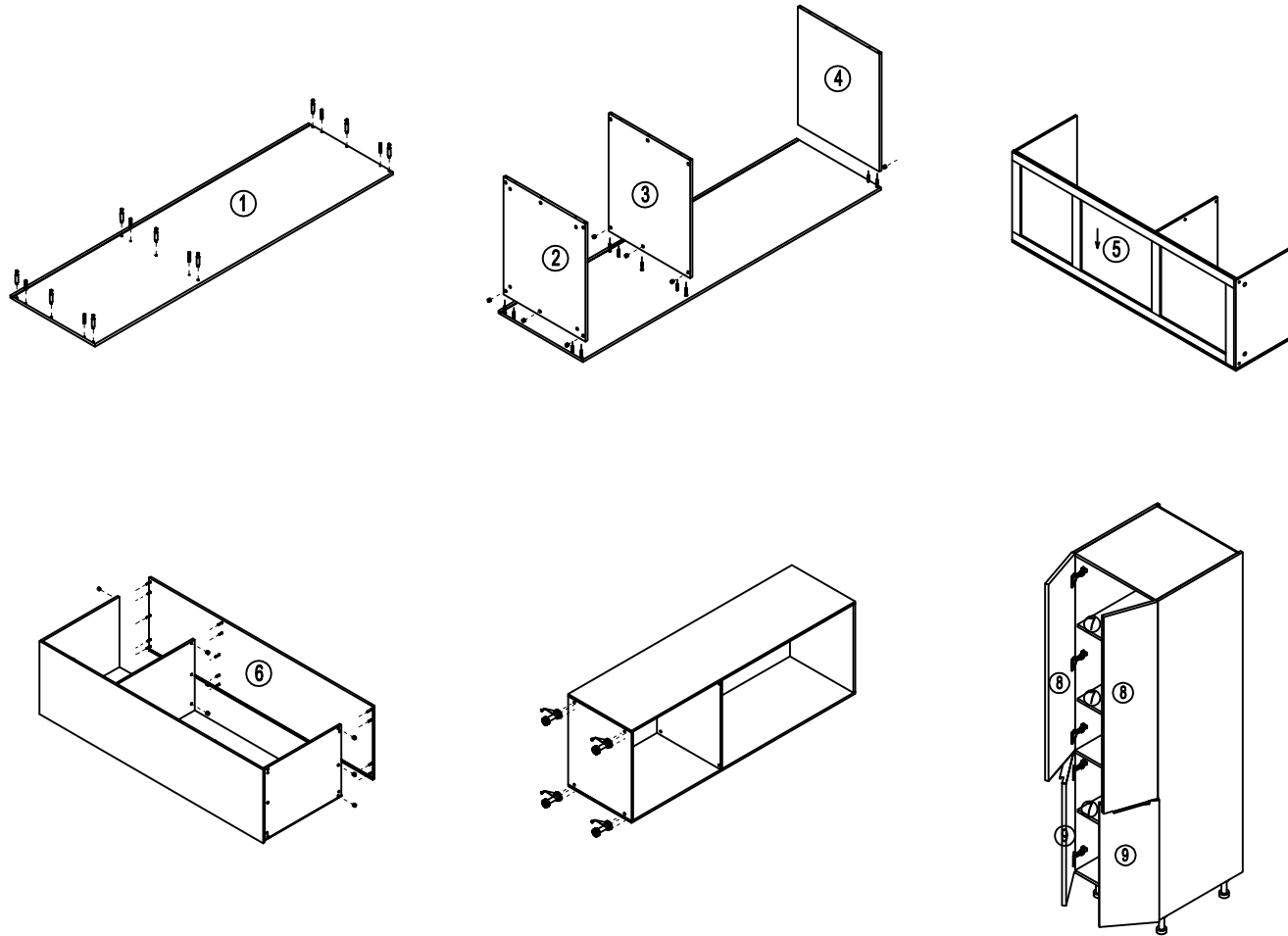
PC2490



PC2490			
PICTURE	ITEM	SPEC	QTY.
	Hinge	Damper hinges	6
	Cam lock	Ø15*13	32
	Cam lock screw	Ø8*35	32
	Dowel	Ø8*35	12
	Shelf support	Ø5	12
	ABS leg	4 3/4"±3/4"	4
BOX			
Part		L W T	QTY.
1	Left panel	85 1/4" 23 7/8" 3/4"	1
2	Bottom panel	23 3/8" 22 1/2" 3/4"	1
3	Fix shelf	22 7/8" 22 1/2" 3/4"	1
4	Top panel	22 7/8" 22 1/2" 3/4"	1
5	Back panel	84 5/8" 23 7/8" 7/8"	1
6	Right panel	85 1/4" 23 7/8" 3/4"	1
7	shelf	22 3/8" 22 1/2" 3/4"	3
			total 9
DOOR			
8	Door	23 7/8" 55 1/8" 3/4"	1
9	Door	23 7/8" 29 7/8" 3/4"	1

ASSEMBLY INSTRUCTION

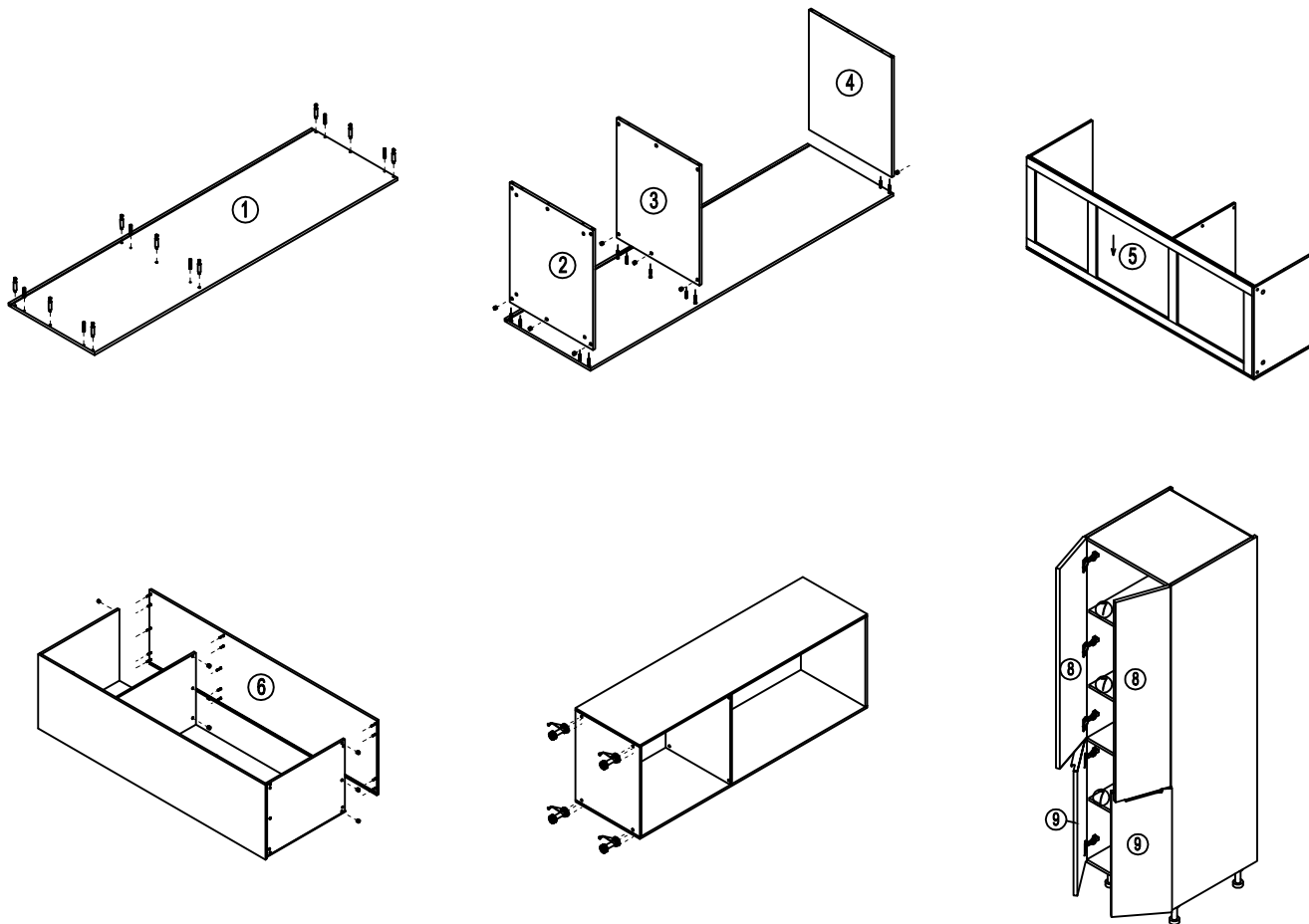
PC2490DD



PC2490DD			
PICTURE	ITEM	SPEC	QTY.
	Hinge	Damper hinges	10
	Cam lock	Ø15*13	32
	Cam lock screw	Ø8*35	32
	Dowel	Ø8*35	12
	Shelf support	Ø5	12
	ABS leg	4 3/4"±3/4"	4
BOX			
Part		L W T	QTY.
1	Left panel	85 1/4" 23 7/8" 3/4"	1
2	Bottom panel	23 3/8" 22 1/2" 3/4"	1
3	Fix shelf	22 7/8" 22 1/2" 3/4"	1
4	Top panel	22 7/8" 22 1/2" 3/4"	1
5	Back panel	84 5/8" 23 7/8" 7/8"	1
6	Right panel	85 1/4" 23 7/8" 3/4"	1
7	shelf	22 3/8" 22 1/2" 3/4"	3
			total 9
DOOR			
8	Door	11 3/8" 55 1/8" 3/4"	2
9	Door	11 3/8" 29 7/8" 3/4"	2

ASSEMBLY INSTRUCTION

PC3090



PC3090

PICTURE	ITEM	SPEC	QTY.
	Hinge	Damper hinges	10
	Cam lock	Ø15*13	32
	Cam lock screw	Ø8*35	32
	Dowel	Ø8*35	12
	Shelf support	Ø5	12
	ABS leg	4 3/4"±3/4"	4

BOX

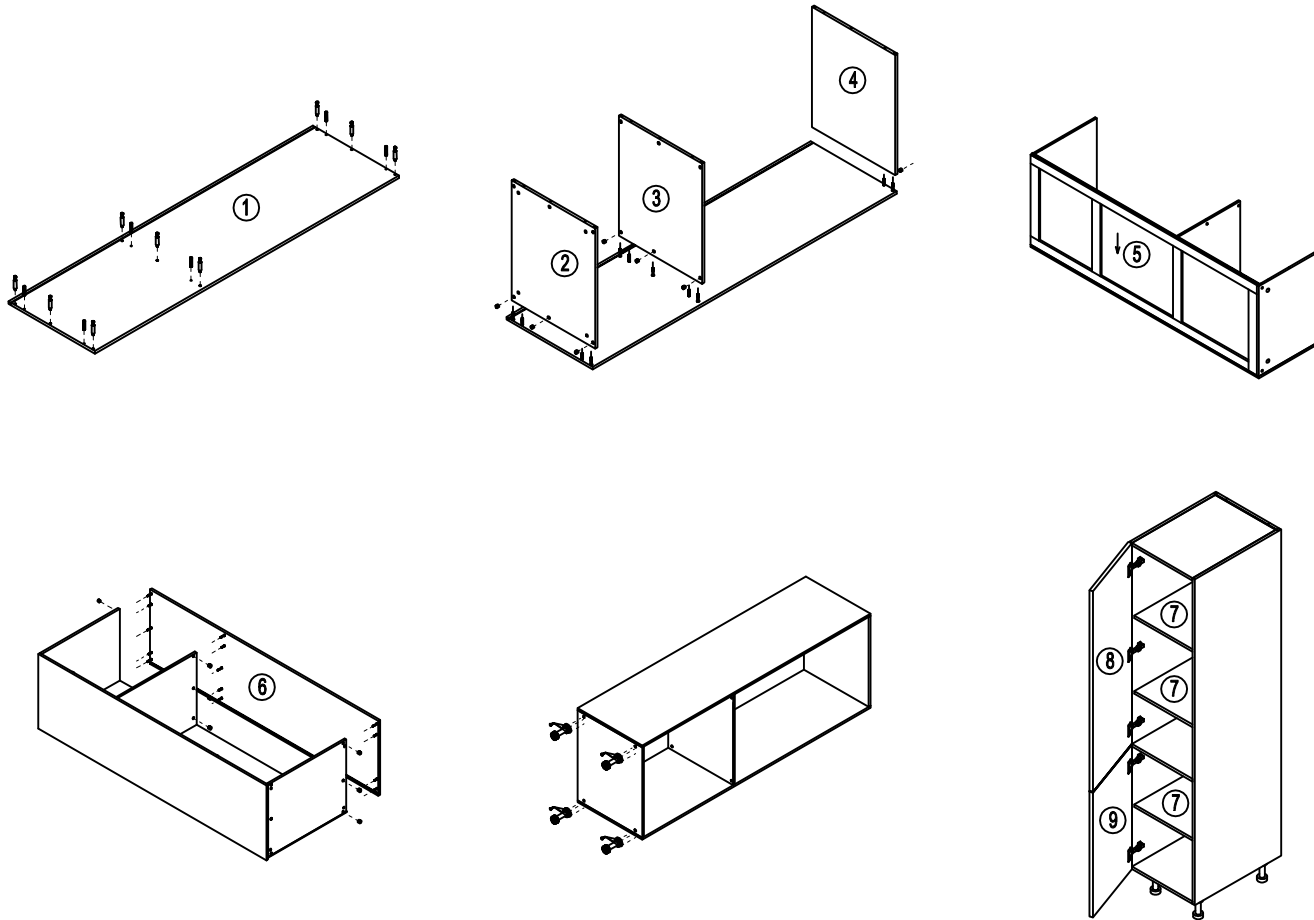
Part	L	W	T	QTY.
1 Left panel	85 1/4"	23 7/8"	3/4"	1
2 Bottom panel	23 3/8"	28 1/2"	3/4"	1
3 Fix shelf	22 7/8"	28 1/2"	3/4"	1
4 Top panel	22 7/8"	28 1/2"	3/4"	1
5 Back panel	84 5/8"	28 7/8"	7/8"	1
6 Right panel	85 1/4"	23 7/8"	3/4"	1
7 shelf	22 3/8"	28 1/2"	3/4"	3
				total 9

DOOR

8 Door	14 7/8"	55 1/8"	3/4"	2
9 Door	14 7/8"	29 7/8"	3/4"	2

ASSEMBLY INSTRUCTION

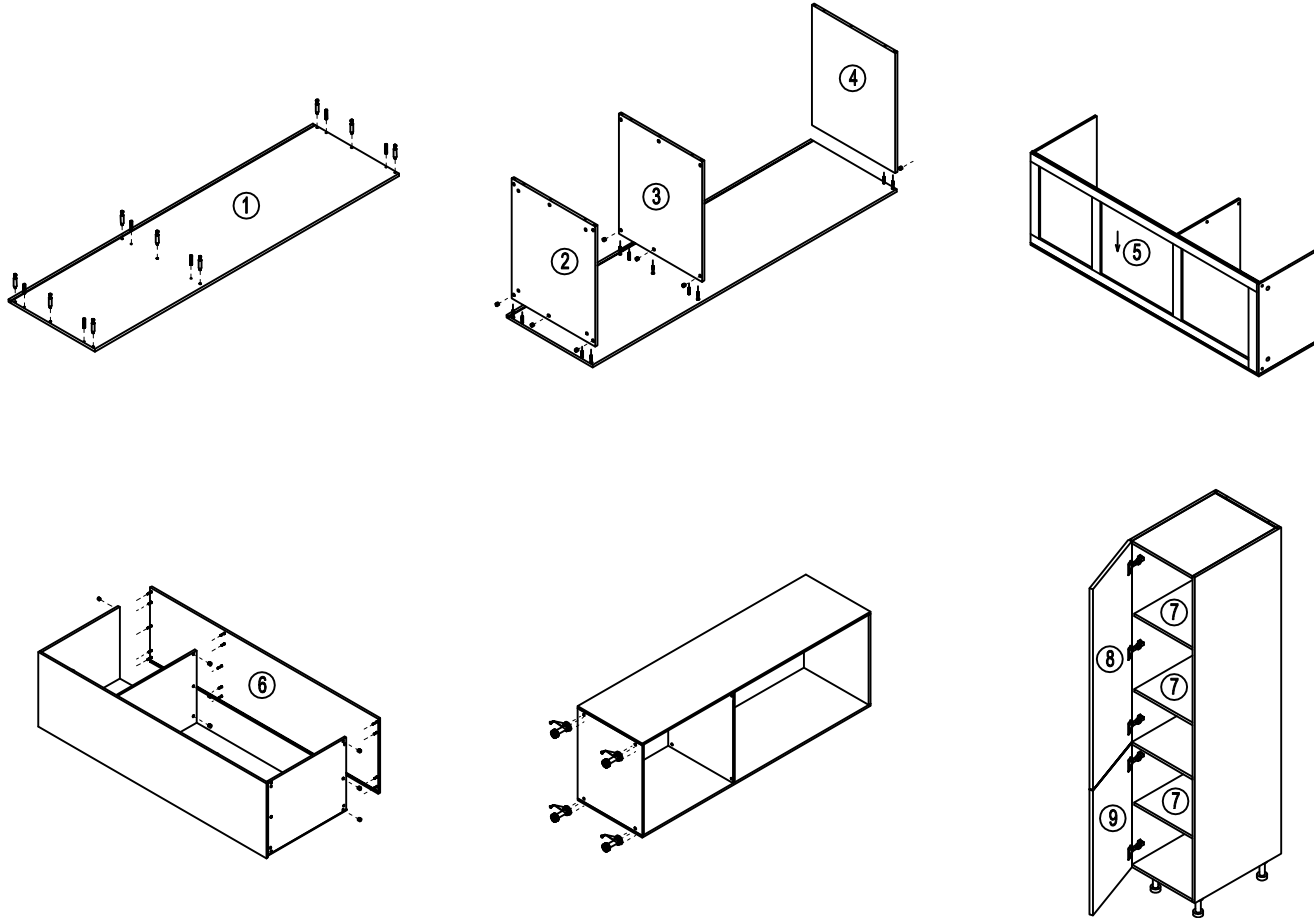
PC1596



PC1596			
PICTURE	ITEM	SPEC	QTY.
	Hinge	Damper hinges	5
	Cam lock	Ø15*13	34
	Cam lock screw	Ø8*35	34
	Dowel	Ø8*35	12
	Shelf support	Ø5	12
	ABS leg	4 3/4"±3/4"	4
BOX			
Part		L W T	QTY.
1	Left panel	91 1/4" 23 7/8" 3/4"	1
2	Bottom panel	23 3/8" 13 1/2" 3/4"	1
3	Fix shelf	22 7/8" 13 1/2" 3/4"	1
4	Top panel	22 7/8" 13 1/2" 3/4"	1
5	Back panel	90 5/8" 13 7/8" 7/8"	1
6	Right panel	91 1/4" 23 7/8" 3/4"	1
7	shelf	22 3/8" 13 1/2" 3/4"	3
			total 9
DOOR			
8	Door	14 7/8" 61 1/8" 3/4"	1
9	Door	14 7/8" 29 7/8" 3/4"	1

ASSEMBLY INSTRUCTION

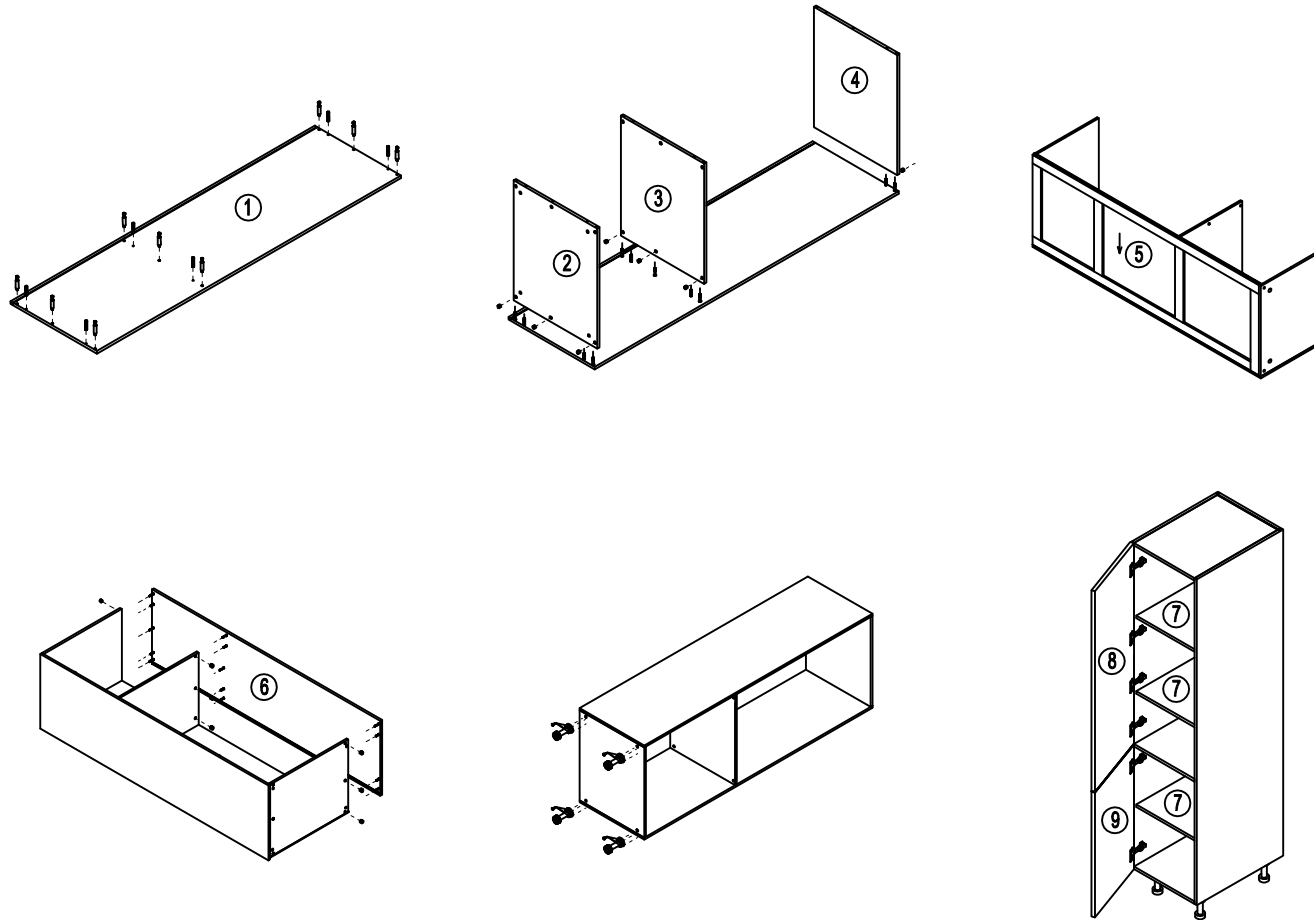
PC1896



PC1896					
PICTURE	ITEM	SPEC	QTY.		
	Hinge	Damper hinges	5		
	Cam lock	Ø15*13	34		
	Cam lock screw	Ø8*35	34		
	Dowel	Ø8*35	12		
	Shelf support	Ø5	12		
	ABS leg	4 3/4"±3/4"	4		
BOX					
Part	L	W	T	QTY.	
1	Left panel	91 1/4"	23 7/8"	3/4"	1
2	Bottom panel	23 3/8"	16 1/2"	3/4"	1
3	Fix shelf	22 7/8"	16 1/2"	3/4"	1
4	Top panel	22 7/8"	16 1/2"	3/4"	1
5	Back panel	90 5/8"	16 7/8"	7/8"	1
6	Right panel	91 1/4"	23 7/8"	3/4"	1
7	shelf	22 3/8"	16 1/2"	3/4"	3
total				9	
DOOR					
8	Door	17 7/8"	61 1/8"	3/4"	1
9	Door	17 7/8"	29 7/8"	3/4"	1

ASSEMBLY INSTRUCTION

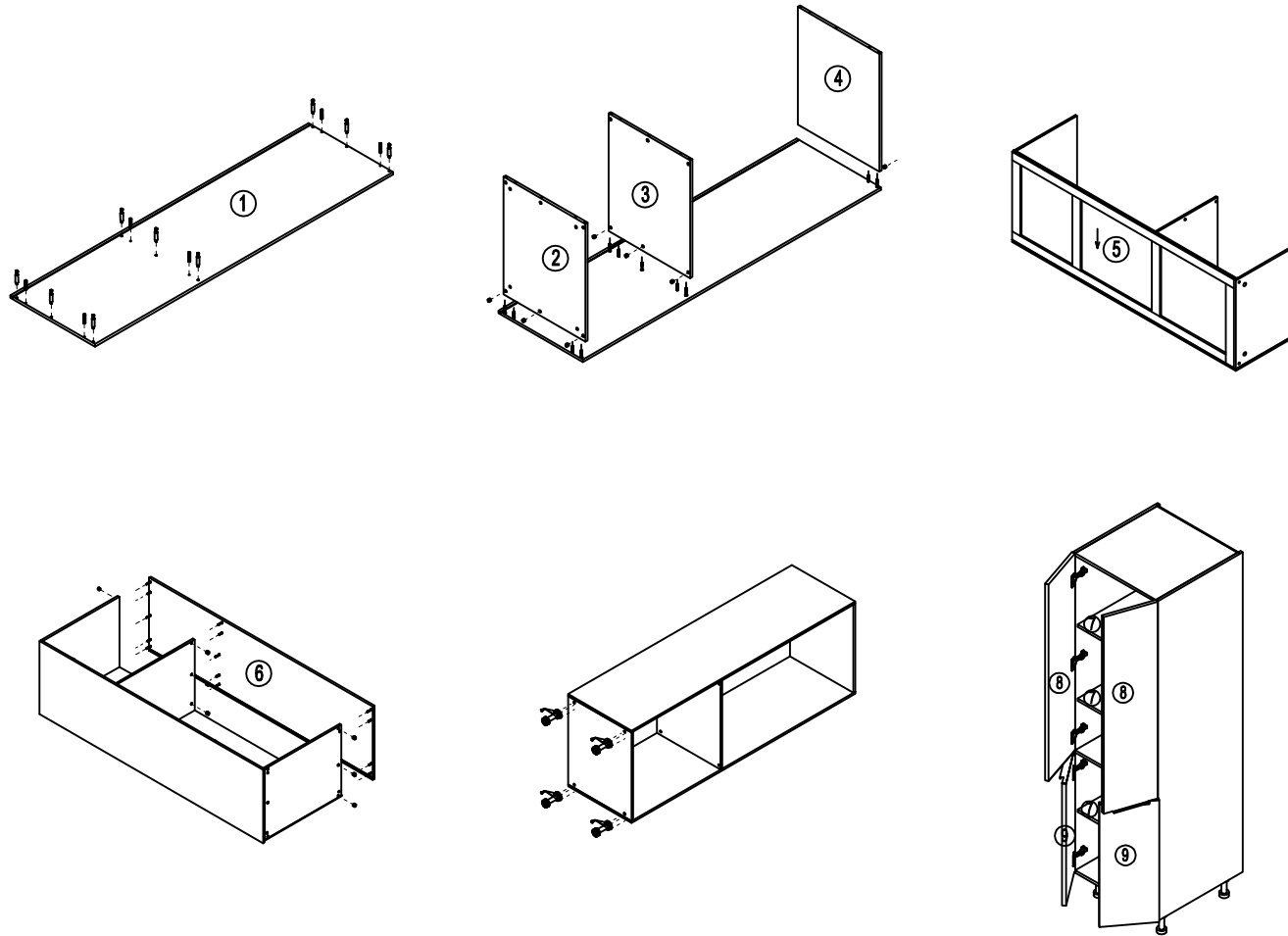
PC2496



PC2496					
PICTURE	ITEM	SPEC	QTY.		
	Hinge	Damper hinges	6		
	Cam lock	Ø15*13	34		
	Cam lock screw	Ø8*35	34		
	Dowel	Ø8*35	12		
	Shelf support	Ø5	12		
	ABS leg	4 3/4"±3/4"	4		
BOX					
Part	L	W	T	QTY.	
1	Left panel	91 1/4"	23 7/8"	3/4"	1
2	Bottom panel	23 3/8"	22 1/2"	3/4"	1
3	Fix shelf	22 7/8"	22 1/2"	3/4"	1
4	Top panel	22 7/8"	22 1/2"	3/4"	1
5	Back panel	90 5/8"	22 7/8"	7/8"	1
6	Right panel	91 1/4"	23 7/8"	3/4"	1
7	shelf	22 3/8"	22 1/2"	3/4"	3
total 9					
DOOR					
8	Door	23 7/8"	61 1/8"	3/4"	1
9	Door	23 7/8"	29 7/8"	3/4"	1

ASSEMBLY INSTRUCTION

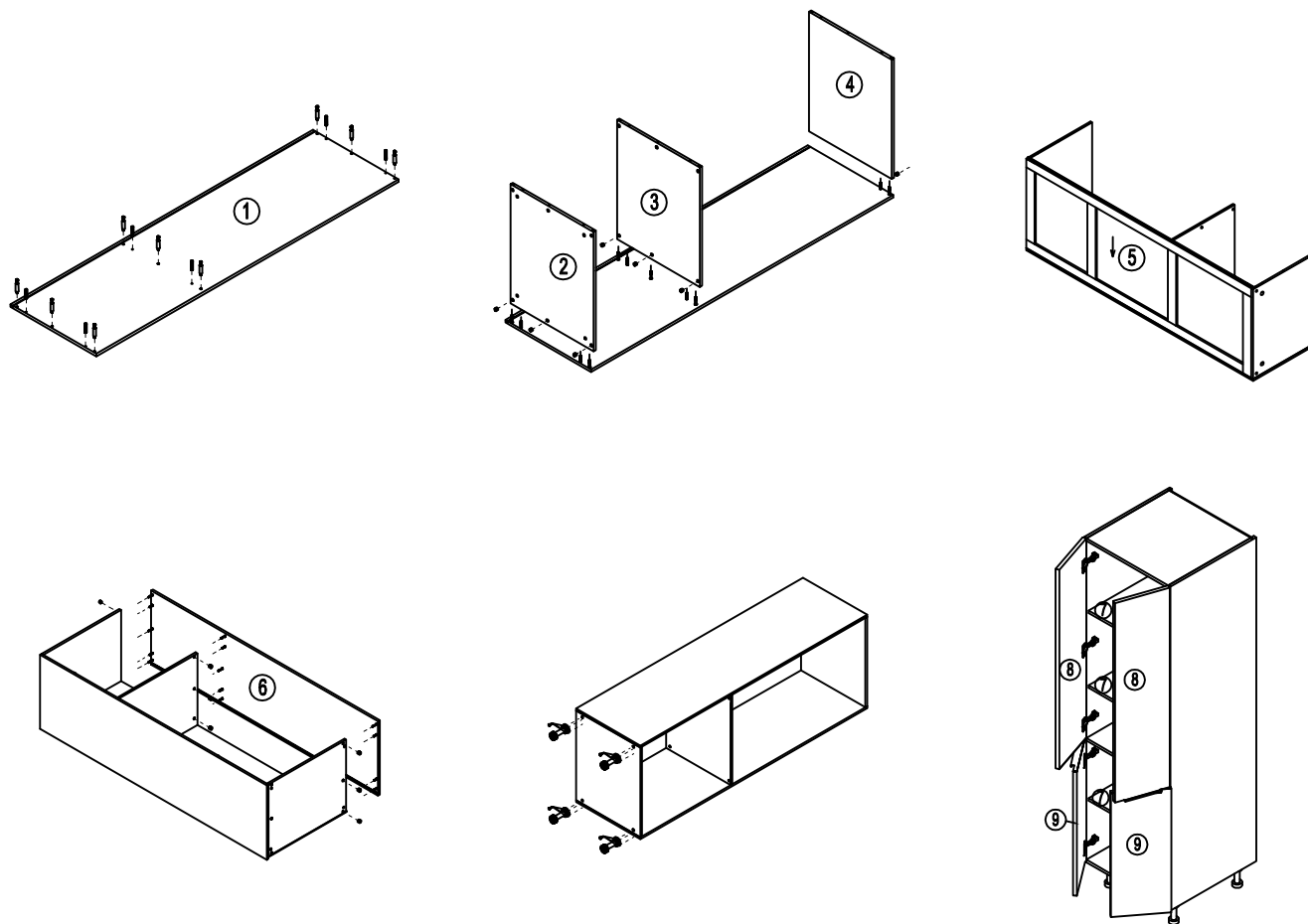
PC2496DD



PC2496DD					
PICTURE	ITEM	SPEC	QTY.		
	Hinge	Damper hinges	10		
	Cam lock	φ15*13	34		
	Cam lock screw	φ8*35	34		
	Dowel	φ8*35	12		
	Shelf support	φ5	12		
	ABS leg	4 3/4"±3/4"	4		
BOX					
Part	L	W	T	QTY.	
1	Left panel	91 1/4"	23 7/8"	3/4"	1
2	Bottom panel	23 3/8"	22 1/2"	3/4"	1
3	Fix shelf	22 7/8"	22 1/2"	3/4"	1
4	Top panel	22 7/8"	22 1/2"	3/4"	1
5	Back panel	90 5/8"	22 7/8"	7/8"	1
6	Right panel	91 1/4"	23 7/8"	3/4"	1
7	shelf	22 3/8"	22 1/2"	3/4"	3
total 9					
DOOR					
8	Door	11 3/8"	61 1/8"	3/4"	2
9	Door	11 3/8"	29 7/8"	3/4"	2

ASSEMBLY INSTRUCTION

PC3096



PC3096

PICTURE	ITEM	SPEC	QTY.
	Hinge	Damper hinges	10
	Cam lock	Ø15*13	34
	Cam lock screw	Ø8*35	34
	Dowel	Ø8*35	12
	Shelf support	Ø5	12
	ABS leg	4 3/4"±3/4"	4

BOX

Part	L	W	T	QTY.
1 Left panel	91 1/4"	23 7/8"	3/4"	1
2 Bottom panel	23 3/8"	28 1/2"	3/4"	1
3 Fix shelf	22 7/8"	28 1/2"	3/4"	1
4 Top panel	22 7/8"	28 1/2"	3/4"	1
5 Back panel	90 5/8"	28 7/8"	7/8"	1
6 Right panel	91 1/4"	23 7/8"	3/4"	1
7 shelf	22 3/8"	28 1/2"	3/4"	3
				total 9

DOOR

8 Door	14 7/8"	61 1/8"	3/4"	2
9 Door	14 7/8"	29 7/8"	3/4"	2