



GoldenHome

# Goldenhome RTA series

## Instruction manual



*Version 202104*

# Table of Contents

1. <a href="#">Intro</a> .....	1
1.1. <a href="#">Frameless In A Nutshell</a> .....	1
1.2. <a href="#">Materials &amp; Components</a> .....	2
1.3. <a href="#">How We Recognize</a> .....	4
1.4. <a href="#">How We Package</a> .....	4
1.5. <a href="#">The Hardware</a> .....	4
2. <a href="#">Door Style Series</a> .....	6
2.1. <a href="#">Classic</a> .....	5
2.2. <a href="#">Deluxe</a> .....	7
2.3. <a href="#">Delight</a> .....	9
2.4. <a href="#">Luxury</a> .....	13
3. <a href="#">SKU Code Rule &amp; Specs</a> .....	15
3.1. <a href="#">Series Code</a> .....	15
3.2. <a href="#">Type Code</a> .....	16
3.3. <a href="#">Size Code</a> .....	18
3.4. <a href="#">Feature Code</a> .....	19
3.5. <a href="#">Direction Code</a> .....	19
3.6. <a href="#">Define Code</a> .....	20
3.7. <a href="#">Cabinet type detail facts</a> .....	20
3.8. <a href="#">FAQs</a> .....	34
4. <a href="#">C-series speciality charppter</a> .....	38
4.1. <a href="#">General Specs &amp; Features</a> .....	38
4.2. <a href="#">C-series SKU Introduction</a> .....	39
4.3. <a href="#">FAQs</a> .....	45
5. <a href="#">Hardware</a> .....	47
5.1. <a href="#">Structural Hardware</a> .....	48
5.2. <a href="#">Functional Hardware</a> .....	49
6. <a href="#">Package</a> .....	54
7. <a href="#">Application</a> .....	56
8. Appendix	
8.1. <a href="#">Standard RTA SKU sheet</a> .....	60
8.2. <a href="#">C-series RTA SKU sheet</a> .....	71

# 1 Intro

## • 1.1 Frameless in a nutshell

### -Frameless structure

Frameless construction in cabinetmaking refers to the construction of cabinets using flat panels of engineered wood rather than the traditional frame and panel construction.

The frameless cabinet is popular for its simplicity of construction, clean lines, and low cost.

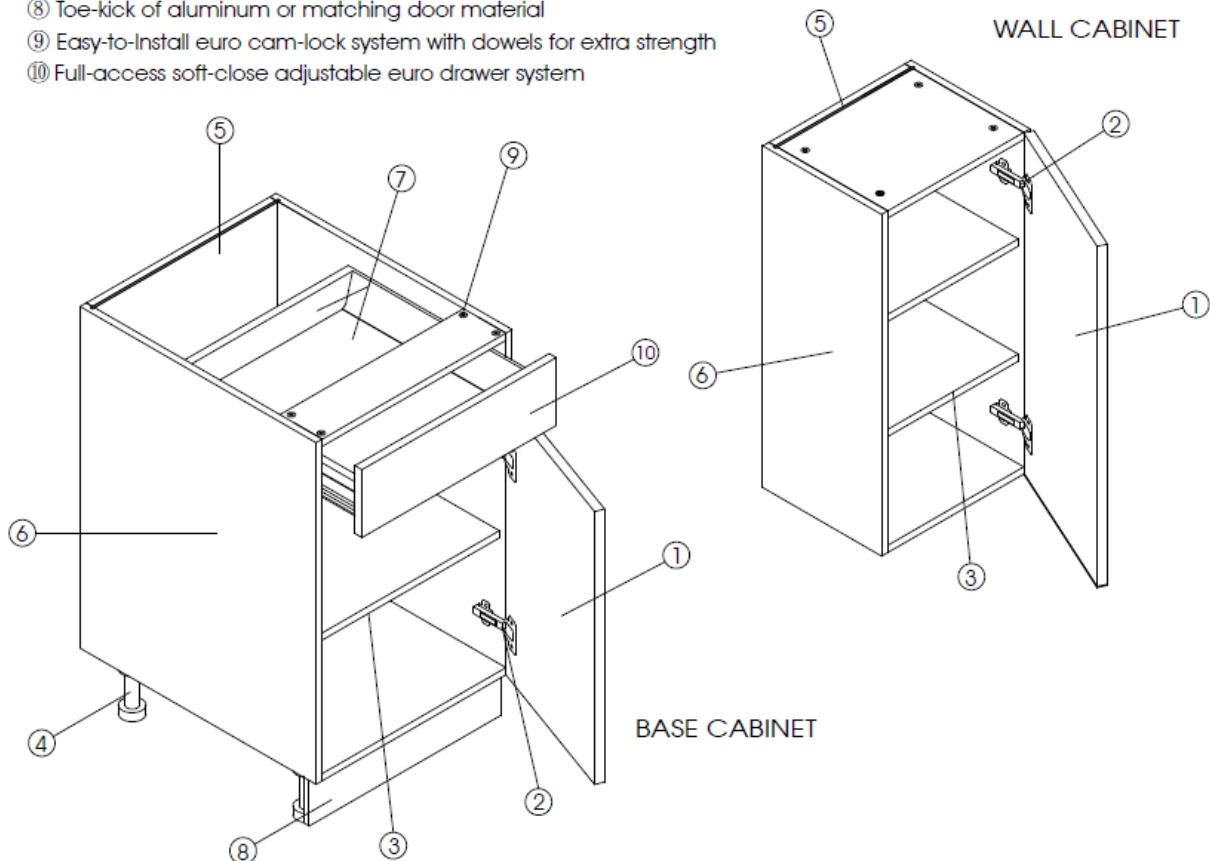
With frameless cabinets, thicker sides (boxes) keep the cabinet much more stable and avoids the use of a front frame. By eliminating the front frame, you can have more room to get large objects inside with more usable space. Thus frameless has another name: **full-access cabinet**.

### -connection

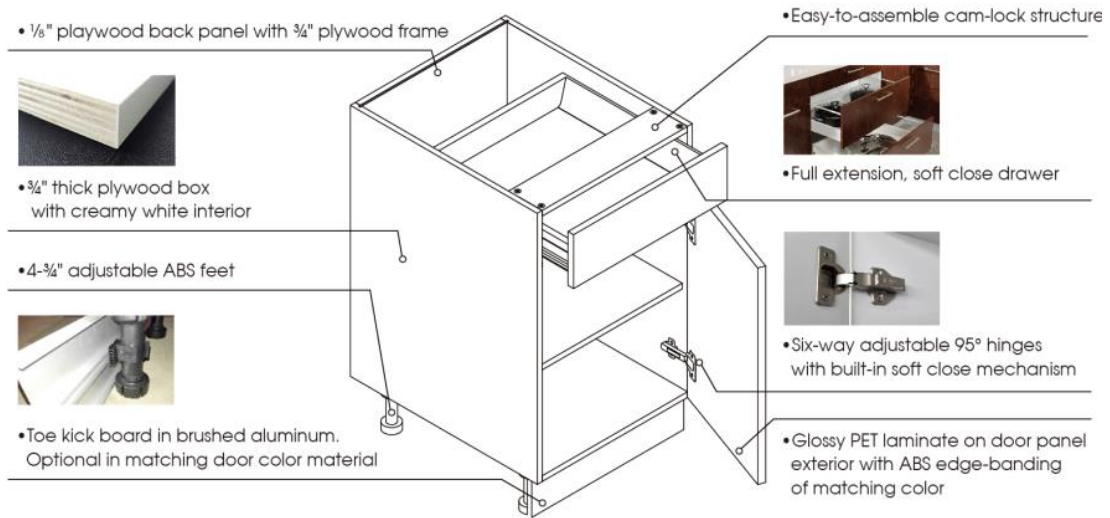
E series, C series apply “cam-lock” + Dowel connectors. while S series box uses screw + dowel combo. Both provide a sturdy enough structure for the cabinet.

# Cabinet Structure

- ① Door Panel
- ② Six-way adjustable soft-close hinge
- ③ 3/4"(18mm) melamine laminated plywood shelf
- ④ Adjustable Legs under the base cabinet
- ⑤ Back panel enforced with 3/4"(18mm) plywood frame
- ⑥ 3/4"(18mm) plywood side panels
- ⑦ 5/8"(16mm) melamine laminated plywood bottom panel & back panel of the drawer
- ⑧ Toe-kick of aluminum or matching door material
- ⑨ Easy-to-Install euro cam-lock system with dowels for extra strength
- ⑩ Full-access soft-close adjustable euro drawer system



• **1.2 Materials and components**



**-Cabinet components**

Goldenhome committed to providing environmentally friendly materials, all the wooden parts, composite panels parts are compliance with EPA-TCSA Title VI certificate. (also know as CARB Phase2)

**-Side panel, shelves and bottom panel**

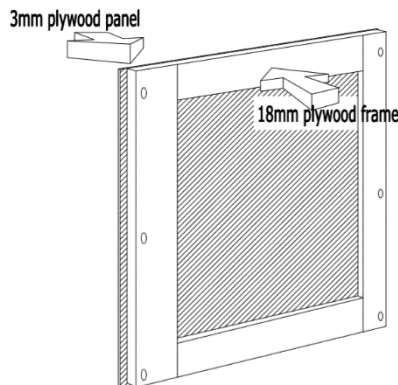
18mm thick plywood/particle board with creamy white color melamine laminate on both sides and PVC edge banding of matching color

**-Drawer panel**

All bottom panel and back panel of drawers use 16mm thick plywood/particle board, with creamy white color melamine laminate on both sides and PVC edge banding of matching color.

**-Back panel**

E/C series:18mm thick plywood frame with 3mm thick plywood back panel of matching color. Reinforced with nails and glue.



S series:

Base and tall units use 18mm thick particle board top rail and 5mm MDF laminated with matching color. Wall

units use 18mm particle board as side panels.

**-Door**

The material of door panels varies significantly in Goldenhome product lines. The core material is usually particleboard and MDF (middle density fiberboard). They are matching with the product level to some extends, but not strictly relates.

**-Hardware**

**-Drawer**

Euro style metal dump drawer. full-extension soft-close drawer glides of 500mm glide length.

**-Hinge**

Six-way adjustable 95° degree opening soft close hinges, offering easy to installation. \* Not applicable to non-standard hinges

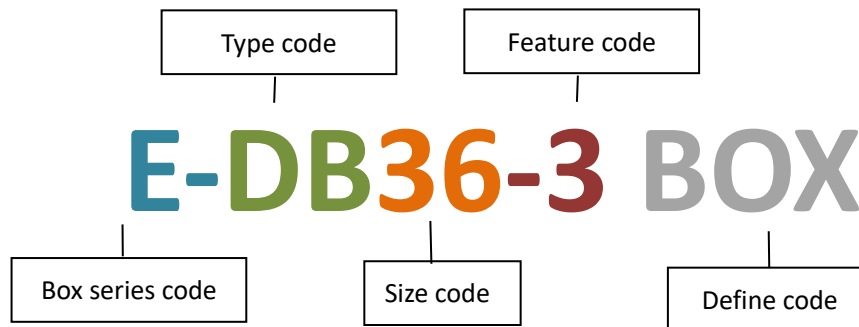
**-Adjustable leg and Toe-kick**

Adjustable plastic leg height ranges from 4 1/2" to 5 1/2". suitable for aluminum alloy toe-kick and matching door panel toe-kick.

**-Other functional hardware/accessories**

**• 1.3 How We Recognize**

- SKU sample for a box:



**-PRODUCT SERIES CODE**

The box/ door series code to identify separate product lines.

For a box series, it is a combination of material, structure, and process requirements. For a door series, it defines color/type/finish of different type of doors, and usually print on the package with a different color to discriminate against each other.

**-TYPE CODE**

This code defines the shape of the product design.

**-SIZE CODE**

This code contains a series of numbers, indicates the size of this item.

**-FEATURE CODE**

In some cases, This code appears as a supplement information to the description of the product design.

#### **-DEFINE CODE**

To distinguish The Box and Door SKU.

Logically, though, the Product Series Code already distinguishes the product category, but in practical application, include Order List, Inventory Report, and Procurement List, the Define Code here makes the list more intuitive.

#### **-DIRECTION CODE**

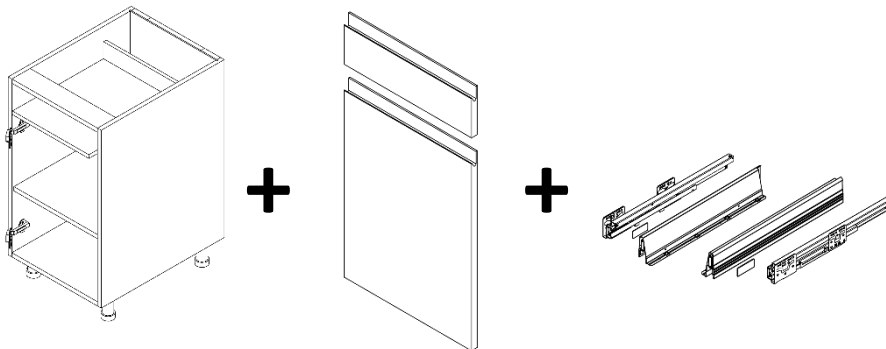
This code is to define the door open direction.

Most products in Goldenhome product line have left/right interchangeable features. This code can be found in special asymmetric door types. And it also often used in design drawings to accurately show the design of a kitchen.

Find detailed information in **Chapter 3 &4 from P14**

### • **1.4 How We Package**

- RTA products have **BOX, DOORS, HARDWARE** 3 type of individual package. This design allows for better utilization of the warehouse space, and flexibility in the marketing strategy of introducing a new product or discontinue an old one.



Example: To pick up a complete LW-B18 item, you need to have checked 3 parts together.

1. Box package (E-B18 BOX)
2. Door package (LW-B18-F-L)
3. Functional hardware package (N drawer)

Find more information in **Chapter 6 Package from P40**

### • **1.5 Don't Forget The Hardware**

-In this context, "Hardware" can be categorized into two types. The first kind is the essence that makes up the cabinet structure itself, for instance, screw, dowels, shelf supports. Another kind is the component that serves the function of kitchen utilization, hinges, drawer glides, varies of pull-out racks can be categorized into this part.

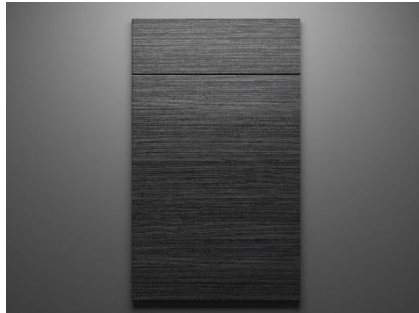
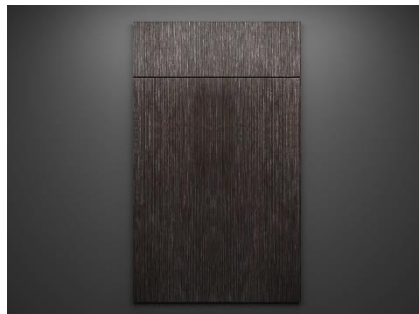

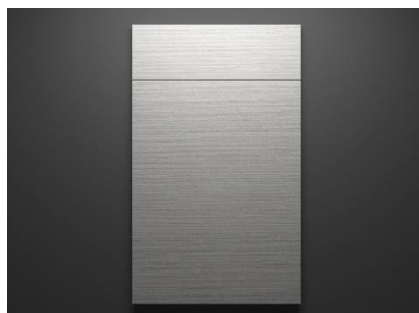
Find more information in **Chapter 5 Hardware from P33**

## 2 Door style series

- **Door series**

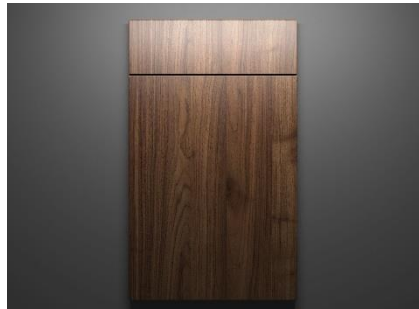


There are four door grades of Goldenhome RTA series, **CLASSIC**, **DELUXE**, **DELIGHT** and **LUXURY**

### -2.1 CLASSIC-

	<p>CODE: <b>DW</b>            Full Name: Dark Wood            Door style: Slab  <b>Horizontal</b> wood grain, actual thickness: 18mm            Melamine laminate on both side of panel            Matching color PVC edge band</p> <p><i>Door height greater than 47" will be joint by two pieces</i></p>
	<p>CODE: <b>BOS</b>            Full Name: Brown Oak            Door Style: Slab  <b>Vertical</b> wood grain, actual thickness: 18mm            Melamine laminate on both side of panel            Matching color PVC edge band</p> <p><i>*original BO is now in DELUXE level, and for non-US market only</i></p>
	<p>CODE: <b>FG</b>            Full Name: Fabric Gray            Door Style: Slab            No grain direction, actual thickness: 18mm            Melamine laminate on both sides of panel            Matching color PVC edge band</p>
	<p>CODE: <b>PP</b>            Full Name: Pale Pine            Door Style: Slab  <b>Horizontal</b> wood grain, actual thickness: 18mm            Melamine laminate on both sides of panel            Matching color PVC edge band</p> <p><i>Door height greater than 47" will be joint by two pieces</i></p>

	<p>CODE: <b>BW</b>  Full Name: Bianca Wood  Door Style: Slab  <b>Vertical</b> wood grain, actual thickness: 18mm  Melamine laminate on both sides of panel  Matching color PVC edge band</p>
	<p>CODE: <b>FC</b>  Full Name: Fabric Charcoal  Door Style: Slab  No grain direction, actual thickness: 18mm  Melamine laminate on both sides of panel  Matching color PVC edge band  <i>*Available in the Service Center</i></p>

**-2.2 DELUXE-**

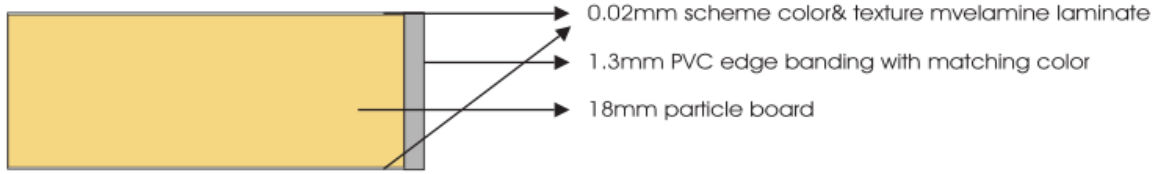
	<p>CODE: <b>WT</b>  Full Name: Walnut  Door Style: Slab  <b>Vertical</b> wood grain, actual thickness: 18mm  Melamine laminate on both sides of panel  Matching color PVC edge band</p>
	<p>CODE: <b>RO</b>  Full Name: Rustic Oak  Door Style: Slab  <b>Vertical</b> wood grain, actual thickness: 18mm  Melamine laminate on both sides of panel  Matching color PVC edge band</p>
	<p>CODE: <b>RG</b>  Full Name: Rustic Gray  Door Style: Slab  No obvious grain direction, actual thickness: 18mm  Laminate on both side of panel  Matching color PVC edge band</p>



	<p>CODE: <b>CO</b>  Full Name: Concrete  Door Style: Slab  No obvious grain direction, actual thickness: 18mm  Melamine laminate on both sides of panel  Matching color PVC edge band</p>
	<p>CODE: <b>YO</b>  Full Name: Yellow Oak  Door Style: Slab  <b>Vertical</b> wood grain, actual thickness: 18mm  Melamine laminate on both sides of panel  Matching color PVC edge band</p> <p style="text-align: right;"><i>*Available in the Service Center</i></p>
	<p>CODE: <b>SD</b>  Full Name: Santin Dusk  Door Style: Slab  <b>Vertical</b> grain, actual thickness: 18mm  Melamine laminate on both sides of panel  Matching color PVC edge band</p> <p style="text-align: right;"><i>*Available in the Service Center</i></p>
	<p>CODE: <b>WL</b>  Full Name: Walnut Light  Door Style: Slab  <b>Vertical</b> wood grain, actual thickness: 18mm  Melamine laminate on both sides of panel  Matching color PVC edge band</p> <p style="text-align: right;"><i>*Available in the Service Center</i></p>
	<p>CODE: <b>CN</b>  Full Name: Chestnut  Door Style: Slab  <b>Vertical</b> wood grain, actual thickness: 18mm  Melamine laminate on both sides of panel  Matching color PVC edge band</p> <p style="text-align: right;"><i>*Available in the Service Center</i></p>

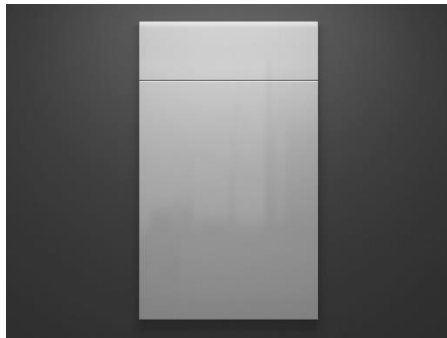




*May have color differ with actual product due to printing performance*

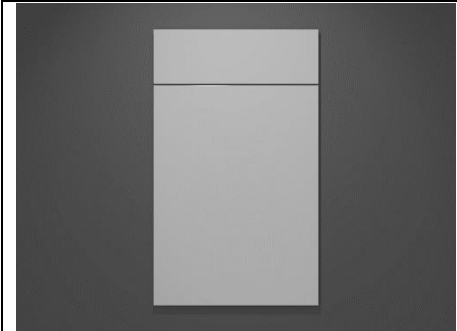
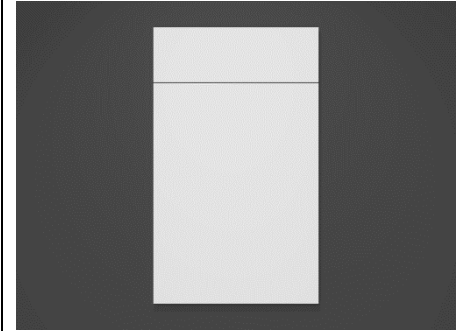

### SPECIFICATION



Product Specification——DW/BO/FG/PP/CO/WT/RO/RG	
Core Material	EPA-TCSA Title VI compliance 18mm Particle Board ( 650-700kg/m <sup>3</sup> )
Coating finish	0.02mm melamine laminate with specific design of grain & texture
Back finish	
Edge banding	1.3mm PVC edge banding of matching color & texture
Features	Environment friendly material. Significant cost advantage. Vivid texture of wood or linen. Never fading, no color differential issue.

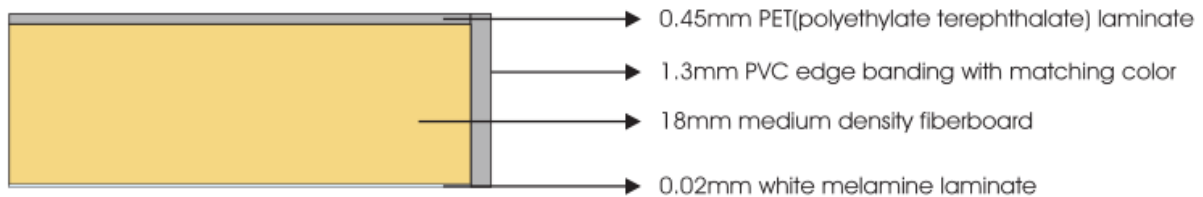
### -2.3 DELIGHT-

	<p>CODE: <b>GW</b>            Full Name: Glossy White            Door style: Slab            actual thickness: 19mm            Glossy PET laminate on front, cream white melamine laminate on back            Matching ABS edge band</p>
	<p>CODE: <b>GG</b>            Full Name: Glossy Gray            Door Style: Slab            actual thickness: 19mm            Glossy PET laminate on front, cream white melamine laminate on back            Matching ABS edge band</p>
	<p>CODE: <b>TU</b>            Full Name: Teak UV            Door Style: Slab  <b>Vertical</b> wood grain, Melamine coat with glossy UV lacquer on front, matching matte melamine on back            Matching PVC edge band</p> <p style="text-align: right;"><i>*On Discontinue Progress now</i></p>
	<p>CODE: <b>EU</b>            Full Name: Ebony UV            Door Style: Slab  <b>horizontal</b> wood grain, Melamine coat with glossy UV lacquer on front, matching matte melamine on back            Matching PVC edge band</p> <p style="text-align: right;"><i>*On Discontinue Progress now</i></p>
	<p>CODE: <b>GA</b>            Full Name: Glossy Ash            Door Style: Slab            actual thickness: 19mm            Glossy PET laminate on front, matching color melamine laminate on back            Matching ABS edge band</p> <p style="text-align: right;"><i>*Available in the Service Center</i></p>

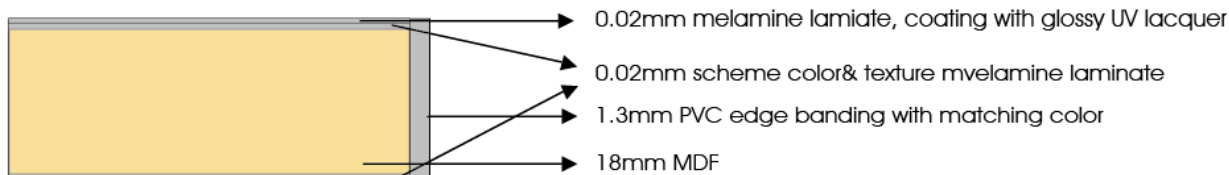
	<p>CODE: <b>MA</b>  Full Name: Matt Ash  Door Style: Slab  actual thickness: 19mm  Glossy PET laminate on front, matching color melamine laminate on back  Matching ABS edge band  <i>*Available in the Service Center</i></p>
	<p>CODE: <b>MW</b>  Full Name: Matt White  Door Style: Slab  actual thickness: 19mm  Glossy PET laminate on front, cream white melamine laminate on back  Matching ABS edge band  <i>*Available in the Service Center</i></p>
	<p>CODE: <b>MB</b>  Full Name: Matt Black  Door Style: Slab  actual thickness: 19mm  Glossy PET laminate on front, matching color melamine laminate on back  Matching ABS edge band  <i>*Available in the Service Center</i></p>

May have color differ with actual product due to printing performance

**SPECIFICATION**




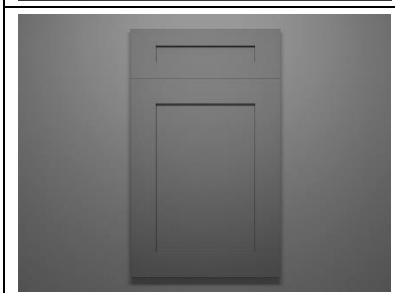
Product Specification—GW/GG	
Core Material	EPA-TCSA Title VI compliance 18mm middle density fiberboard ( 700-750kg/m <sup>3</sup> )
Coating finish	0.45mm PET (polyethylene Terephthalate) laminate
Back finish	0.02mm melamine laminate
Edge banding	1.3mm ABS edge banding of matching color
Features	Moisture resistance, acid and alkali tolerance. Clean and vivid finish, Extreme easy to clean. Anti-bacterium, safe for direct food contact. Never fading, free for color differential concern.



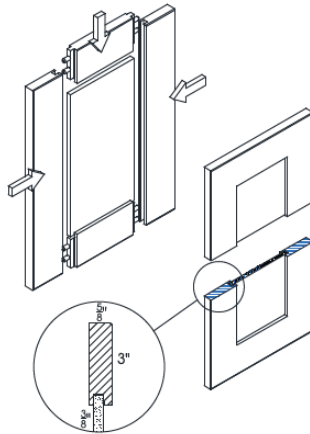
Product Specification——TU/EU	
Core Material	EPA-TCSA Title VI compliance 18mm middle density fiberboard ( 700-750kg/m <sup>3</sup> )
Coating finish	0.02mm decorative melamine laminate, coating with glossy UV lacquer
Back finish	0.02mm decorative melamine laminate
Edge banding	1.3mm PVC edge banding of matching color & texture
Features	High glossy & wood veneer like finish. Scratch resistance, corrosion resistant. Never fading, no color difference between any doors. Environment friendly

**-DELIGHT-**

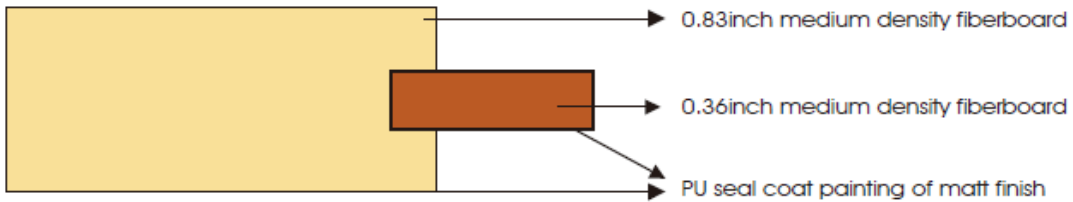
**-Shaker Series-**

	<p>CODE: <b>WS</b>            Full Name: White Shaker            Door style: Shaker style            MDF cored, matt lacquer finish on front and edges, cream white laminate on back.</p>
	<p>CODE: <b>GS</b>            Full Name: Gray Shaker            Door style: Shaker style            MDF cored, matt lacquer finish on front and edges, cream white laminate on back.</p>

*May have color differ with actual product due to printing performance*






### SPECIFICATION



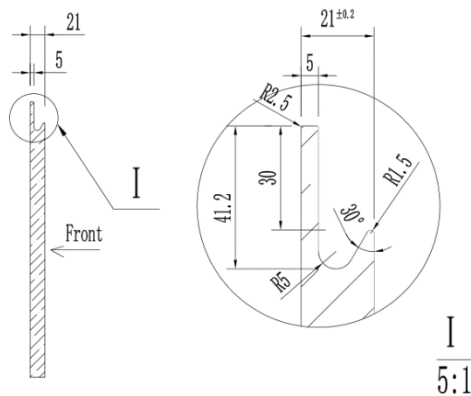
Product Specification——WS/GS/ES	
Core Frame	EPA-TCSA Title VI compliance 18mm middle density fiberboard(700-750kg/m <sup>3</sup> )
Door Center	EPA-TCSA Title VI compliance 9mm middle density fiberboard(700-750kg/m <sup>3</sup> )
Coating finish	PU(polyurethane) seal coat painting, matt finish
Back finish	0.02mm white melamine laminate
Connecting Structure	Stiles and rails connected with tenon and dowels
Edge banding	Lacquer product is free from edge banding
Features	<p>Classic popular door style.</p> <p>Suitable for contemporary, transitional interior design.</p> <p>Seal coat painting brings durable quality.</p> <p>Better bending resistance results from the stability of MDF physical properties.</p>

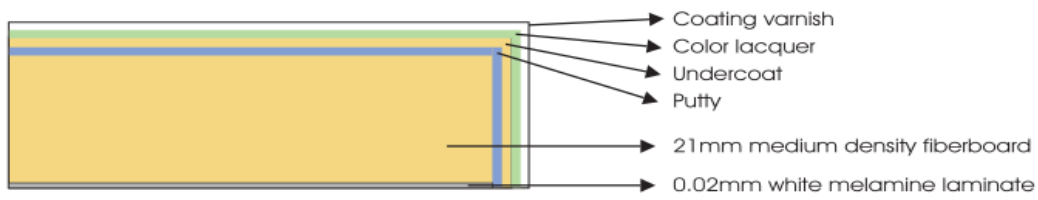
**-2.4 LUXURY-**

	<p>CODE: <b>LW</b>                  Full Name: Lacquer White                  Door style: J shape handle slab                  MDF cored, Glossy lacquer finish on front and edges, cream white laminate on back.</p>
	<p>CODE: <b>LG/LGM</b>                  Full Name: Lacquer Gray                  Door style: J shape handle slab                  MDF cored, Glossy lacquer finish on front and edges, cream white laminate on back.</p> <p>*LGM apply matching color melamine laminate on the back.</p>
	<p>CODE: <b>LA</b>                  Full Name: Lacquer Ash                  Door style: J shape handle slab                  MDF cored, Glossy lacquer finish on front and edges, matching color Gray laminate on the back.</p>

*May have color differ with actual product due to printing performance*

**SPECIFICATION**





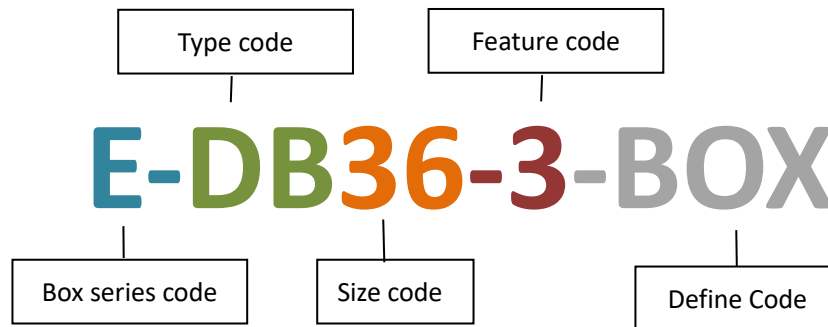
Product Specification——LW/LG/LA	
Core Material	EPA-TCSA Title VI compliance 21mm (WS is 18mm) middle density fiberboard(700-750kg/m <sup>3</sup> )
Coating finish	0.15mm of lacquer finish, include 4 coating layers
Back finish	0.02mm white melamine laminate
Edge banding	Lacquer product is free from edge banding
Features	4 layers of lacquer finish with 22 processes of manufacture. High glossy lacquer finish, free from edge banding. Unique raised shape design. Easy to clean & maintenance



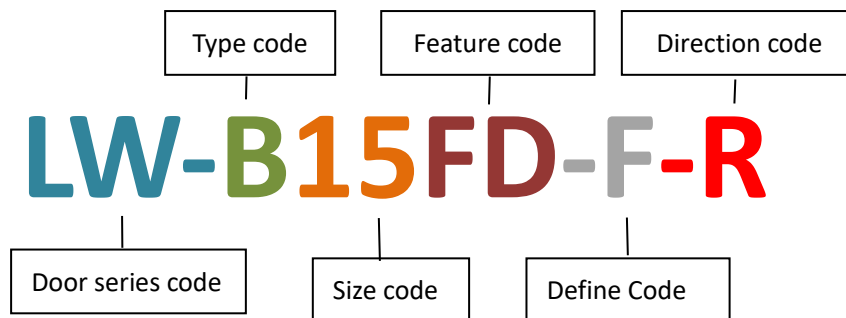
# 3 SKU Code Rule & Specs

SKU=Stand Keeping Unit

-A BOX SKU SAMPLE:



-A DOOR SKU SAMPLE:



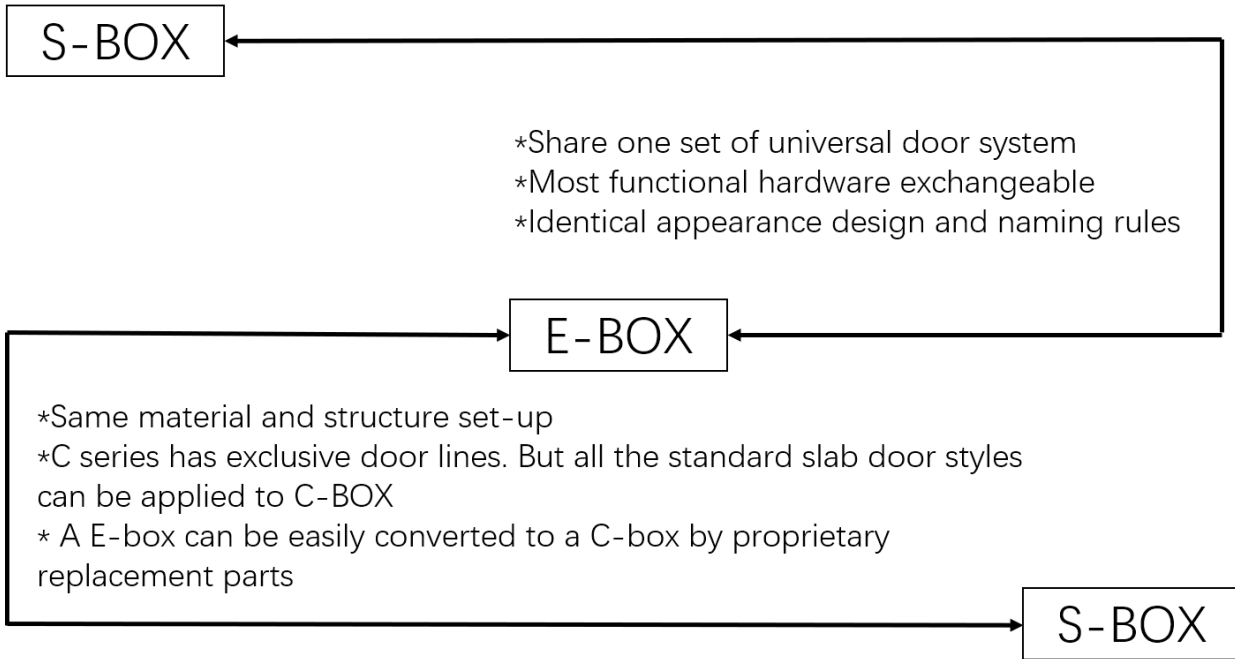
## 3.1 Series Code

The series code can be explained as **Product Line**.

In the intro chapter, we define the series code as a “combination of material, structure, and process requirements.” On top of that, it includes everything else that makes up a complete product line. In the supply chain, it represents a specific quality control requirement; In the production plant, it is a complete database of BOMs \*(bill of materials); and in the channel, it is an important anchor point to setting pricing levels.

We developed different product lines based on the market positioning. They are independent of each other, while there are some commonalities that make some applications of them are interchangeable.

On the other hand, for the door styles, there are some easy-to-identify rules. Like “CGW” and “GW”, they are all glossy white PET material, while CGW is exclusive for C-series box and GW is for S- and E- universally.



### 3.2 Type Code

A type code is an abbreviated code from conventional practice. It represents the basic shape design of a cabinet unit. Different companies may vary in their Type Code lists, but the basic logic is the same. This is a must-know knowledge for a professional in the kitchen & bath business.

Below is a break-down list of Goldenhom TYPE CODES

Base Cabinets	B	Regular base cabinet (one or two side open doors, one drawer)
	SB	Sink base cabinet
	DB	Drawer base cabinet
	BFD	Full-height door base cabinet
	BLS	Base cabinet installed with Lazy Susan
	BER	Easy-reach base cabinet
	BBC	Blind-corner base cabinet
	BSR	Base cabinet installed with Spice-Rack
	BMC	Base cabinet for microwave oven
	BTC	Base cabinet installed with Trash Can
	FSB	Farm-sink base cabinet
	ASB	Apron-sink base cabinet
	DCSB	Diagonal-shaped sink cabinet
Wall Cabinets	W	Regular wall cabinet (one or two side open doors)
	WER	Easy-reach wall cabinet
	WDC	Diagonal-shaped wall cabinet
	WSL	Single-Lift-up door wall cabinet
	WBF	Bi-Folder wall door cabinet
	WBC	Blind-corner wall cabinet

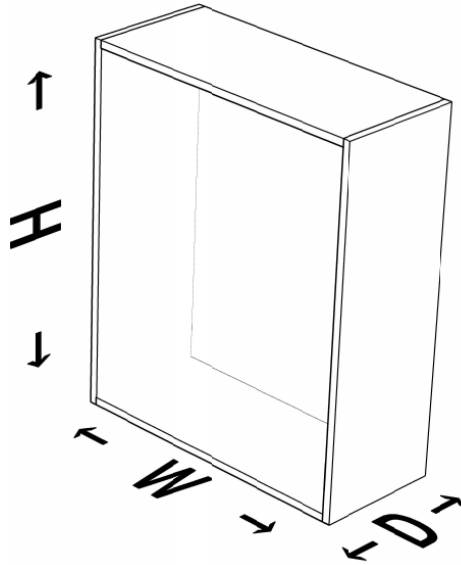
Pantry cabinets	PC	Regular pantry (two or four side open doors)
	OC	Tall cabinet design for built-in single oven
	MOC	Tall cabinet design for built-in microwave oven
	DOC	Tall cabinet design for built-in double-oven
Vanity cabinets	VB	Regular vanity base cabinet (one or two side open doors, one drawer)
	VSB	Vanity sink base cabinet
	VDB	Vanity drawer base cabinet
	FVD	Floating vanity drawer cabinet
	FVB	Floating vanity base cabinet (one or two side open doors)
	VKD	Vanity knee drawer box
Décor/Utility parts	WF	Standard filler scribe (universal for base, wall, vanity cabinets)
	TF	Tall filler scribe
	LR	Light rail scribe
	CM	Crown molding scribe
	TK	Toe-kick board
	DWR	Reversible dishwasher end panel
	MWEP	Matching wall end panel
	MBEP	Matching base end panel
	TEP	Tall end panel
	TBEP	Thick base end panel (C-series exclusive)
	TIEP	Thick island end panel (C-series exclusive)
	TWEP	Thick wall end panel (C series exclusive)
	REF	Refrigerate end panel
	WRC	Wine rack cabinet
	WOC	Wall open shelf
	BES	Base end shelf
	WES	Wall end shelf
	WM	Wall Microwave cabinet
	WMD	(Wood or aluminum frame) glass door
	ROT	Roll-out tray
CDK	Drawer replacement kit (wood drawer box with bottom amount glides)	
FS	Floating shelf	
S	Replaceable bottom shelf part (from E-box to C-box)	

In the list of Series Code above, some items appear to belong to Hardware section. but they have one thing in common: they all go through a factory manufacturing process, rather than reselling them as the package they are in the supply chain.

Different companies have different coding rules. We hope you can follow the standard coding rules as much as possible when you engage Goldenhome business.

### 3.3 Size Code

The size code usually appears in the SKU codes as a set of numbers. A kitchen cabinet is generally a cube, so there are three-dimensional sizes **WIDTH, HEIGHT, and DEPTH.**



The size modules represent the regularity of cabinet size changes. In the K&B industry, this module is usually 3 inches, so size code number is often a multiplier of 3. Of course, there are some exceptions when we need some special size parts.

**Goldenhome Standard Size Modules**

6	9	12	15	18	21	24	27	30	33	36	39	42	84	90	96
---	---	----	----	----	----	----	----	----	----	----	----	----	----	----	----

In general, size code numbers are arranged in order of width, height, and depth. A standard 24” width base cabinet can be represented as B243024, that means the width=24”, height=30”, and depth=24” (actual dimension 605mm). Since all base cabinet have same height, (except floating vanities), and the depth is also standard, we don’t need to gild the lily by adding height and depth digitals, in this way we simplify it to **B24**

Base	W	H(default)	D(default)
B	24	(30)	(24)

When we talk about wall cabinets and free-standing pantries, things change a little bit. Because they usually presented at different standard heights, while the depth is standard in their categories. Then we add a set of digitals indicating the height.

For example, we have **W1530** and **DOC3090**, we don’t need to add default depth 12 or 24.

Wall	W	H	D(default)
W	15	30	(12)

Double oven	W	H	D(default)
DOC	30	90	(24)

In addition, the Vanities are a special case. They usually have an exclusive design, so we don’t have to specify all the

dimensions, just the most important dimension: width.

For example: **VB30** and **FVB30**

Vanity Base	W	H	D
VB	30	(30)	(21)

Floating Vanity	W	H	D
FVB	30	(20)	(21)

Finally. There are some special cabinet shapes that are used for special purposes. Such as on top of a refrigerator, so they have uncommon size. In this case we need to write all three dimensions.

For example: **W301524**

wall	W	H	D
W	30	15	24

### 3.4 Feature Code

The feature codes are supplements to the type codes. They placed after size codes; it represents itself as a sub-category of a certain type of cabinet. And in the literal shows the supplementary description for this cabinet.

Feature Code	Example	Description
-FD	<b>B30FD</b>	Full height door(s)
-2/-3/-4	<b>DB24-3</b>	The number of drawers
-DD	<b>VB24DD</b>	Double doors style while width=24"
-H	<b>TK8H</b>	Extra height design
-N	<b>BSR09N</b>	Apply an updated hardware

### 3.5 Direction Code

The interchangeability of the slab doors is one of the features of Goldenhome products, which improves the utility of goods. Although it is necessary to mark the Left/Right opening direction in the kitchen shop drawing, there is no indication of the L/R of the door in the SKU code.

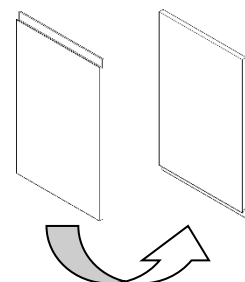
**Exceptions** occur in the design of the door panels itself has directions. Such has J-handle lacquer products, and C-series lacquer doors with special craft on the edge of the door. A distinction code indicates L/R is necessary.

This situation is also evident on some decoration parts.

For example:

**LW-W1536-F-L**

**C3-B24-F-R**



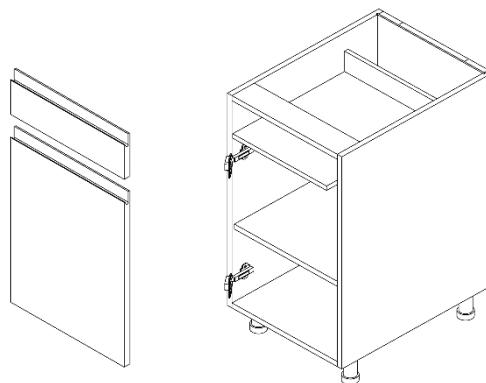
### 3.6 Define Code

Logically, the code above uniquely represents all products in Goldenhome line uniquely. To represent the feature of separation of cabinet and door, and be more intuitive in warehouse management, we usually add a Define Code at the end of the full code., indicating which type of this item belongs to, a cabinet box or a door front.

Example:

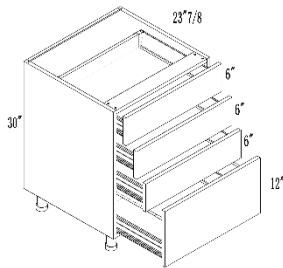
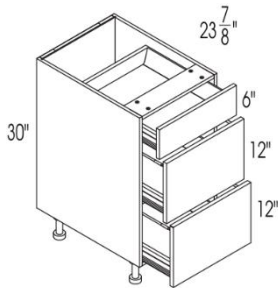
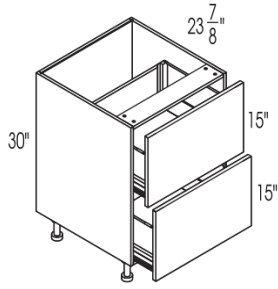
**E-B18-BOX**

**LW-B18-F-R**



### 3.7 Cabinet Type Detail Specifications

	<p><b>B</b></p> <p><b>Regular base cabinet (one or two side open doors, one drawer)</b>          Cabinet width below and equal to 24" has 1 door, 1 drawer.          Cabinet width greater than 24" has 2 equal divided doors and 1 drawer.  <i>(24" width cabinet can also be double door style, Use -DD as feature code to distinguish)</i></p> <p><b>EXAMPLE: E-B24 BOX</b></p>
	<p><b>SB</b></p> <p><b>Sink base cabinet.</b>          The sink base cabinet is design to place a kitchen sink in. Thus, the drawer space is eliminated, and a "dummy drawer" panel is placed where the drawer front should be. The front rail is also rotated its position by 90 degrees, to make more room for the sink plate. The door panels of the sink cabinet and those of the regular base cabinet are interchangeable.</p> <p><b>EXAMPLE: E-SB36 BOX</b></p>



## DB

### Drawer base cabinet.

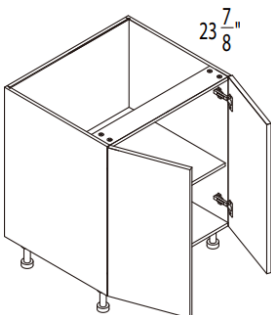
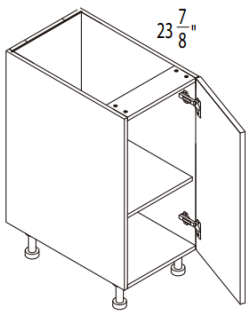
The Drawer cabinet is the most used utility base cabinet. The panels to build a euro-style damp drawer box are included as default in the box package, yet not the drawer hardware itself. In addition to standard DTC or BLUM hardware compliance, we also offer the Drawer Kits option for integral replacement of drawer boxes, **CDK-** is the corresponding product code.

-2 Drawer Base has 1:1 equally divided drawer (15",15"). using both H drawer.

-3 Drawer Base drawer segment as 1:2:2 (6",12" and 12") from above. 1 N drawer and 2 H drawers.

-4 Drawer Base drawer segment as 1:1:1:2 (6",6",6" and 12") from above. 3N drawer and 2 H-drawers

**EXAMPLE:**  
**E-DB18-3 BOX**

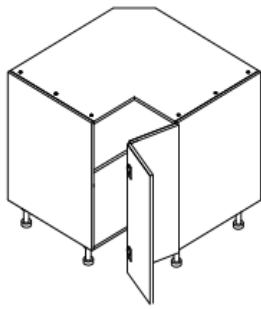


## BxxFD

### Full-height door base cabinet

The full height door is often used in modern kitchen design. In practical operations, a standard base cabinet and a 30" wall cabinet door can easily build a full-height door cabinet. From the perspective of improving warehouse utilization, there is less need to carry out specialized BFD cabinet & door inventories, unless they have substantial need quantities.

**EXAMPLE:**  
**E-B36FD BOX**  
**E-B24FDD BOX**



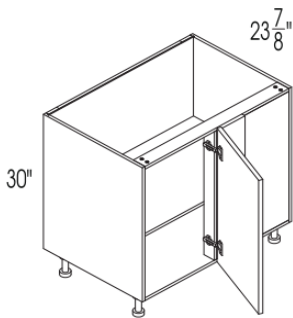
## BER/BLS

### Easy-Reach base cabinet/Lazy-Susan base cabinet

This specially shaped cabinet is one of the best solutions for the kitchen corner space utilization solution. Two joint doors, L shape layout. A 6"×6" corner cut on the back of the cabinet.

There is one of the most widely used functional hardware designed for this cabinet, commonly know as a "LAZY SUSAN", however, it doesn't necessarily need this hardware to be utilization, we provide one L-shape shelf as default in the package.

**EXAMPLE:**  
E-BER36 BOX



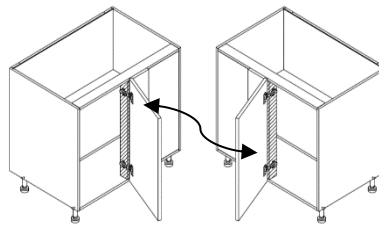
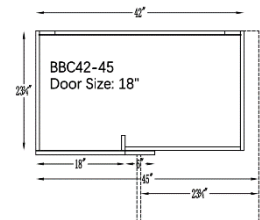
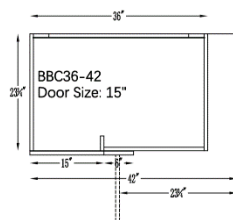
## BBC

### Blind Corner base cabinet

The BBC is a solution to corner space with better flexibility. It can be fine-tuned by filler size and position on both sides of a kitchen corner, especially for a compact kitchen space.

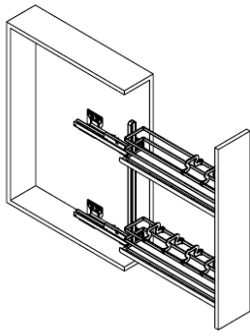
The size code for a BBC cabinet is like 36-42 or 42-45. The first number refers to the actual size of this cabinet. And the second is a virtual size that represents the default placement between the distal side panel and the opposite wall, it is not a fixed size in practice, nevertheless.

This cabinet has Left/Right universal design.



**EXAMPLE:**  
E-BBC42-45 BOX



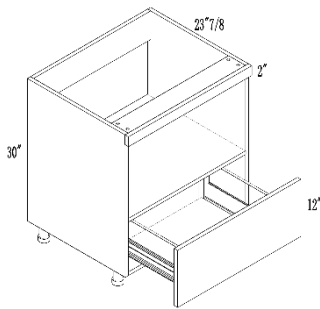


## BSR

### Base cabinet installed with Spice-Rack

This is an exclusive cabinet type design for pull-out hardware. The BSRs are pre-assembled before packed and shipped.

**EXAMPLE:  
E-BSR09 BOX**



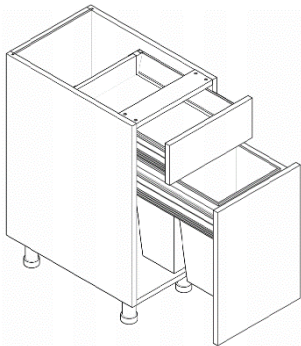
## BMC

### Base cabinet for microwave oven

A standard cut-out size for build-in or freestanding microwave oven. The cut-out size is  $w=W-1.5"$ ,  $h=*16"$  ( $W$ =cabinet width)

One standard H drawer is applied in this cabinet.

**EXAMPLE:  
E-BMC30-BOX**



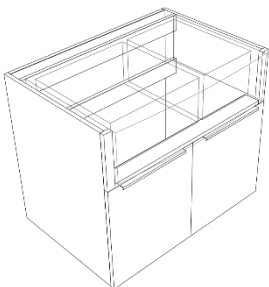
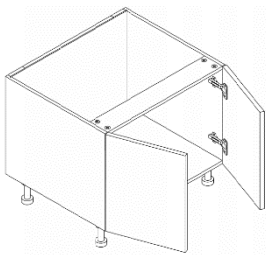
## BTC

### Base cabinet install with Trash Can

A standard Base cabinet. The box and door have pre-drill for a set of trash can hardware.

In practical operations, a standard B18 cabinet can also be a BTC, but you need to locate the installation position of the Trash Can hardware.

**EXAMPLE:  
E-BTC18 BOX**

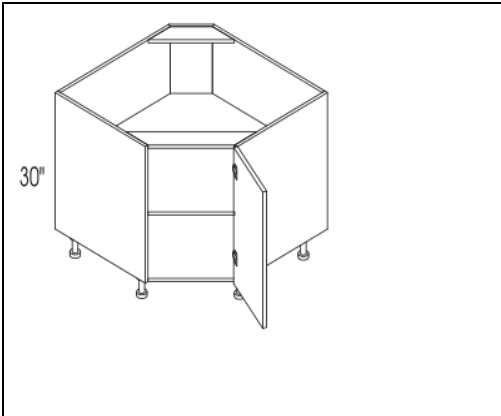


## FSB/ASB

### Farm-sink base cabinet/Apron-sink base cabinet

These two types of cabinets are design for Farm-sink, or as known as Apron-sink. The difference is not how we define the appliance, but the spec difference of cabinet. FSB is a plain box that is 20" in height, while ASB is a box with a full-height side panel like other base cabinets.

**EXAMPLE:  
E-BTC18 BOX**

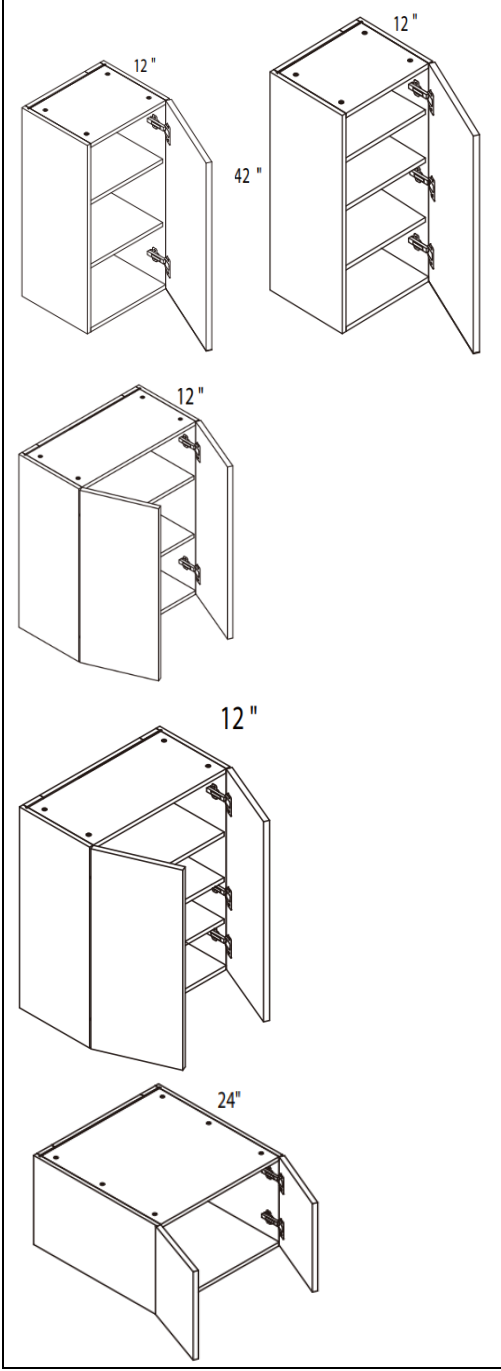


# DCSB

## Diagonal-shaped sink cabinet

This is a diagonal shaped cabinet for corner solution. Objectively speaking it increases the utilization space of corner space comparing with BER and BBC. But It is less used except for a corner sink layout plan.

**EXAMPLE:  
E-DCSB36 BOX**



# W

## Regular wall cabinet (one or two side open doors)

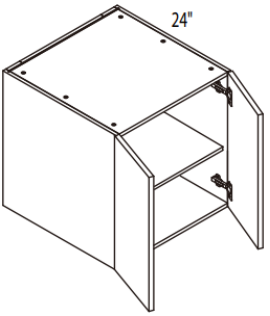
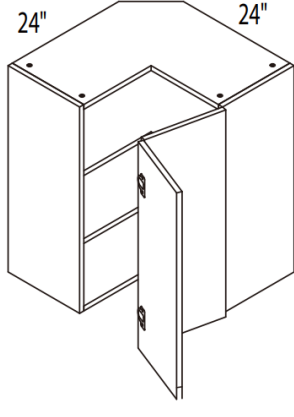
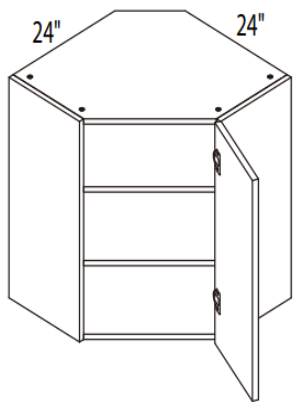
Regular wall cabinets' structure is simple, but their size combination is relatively diverse.

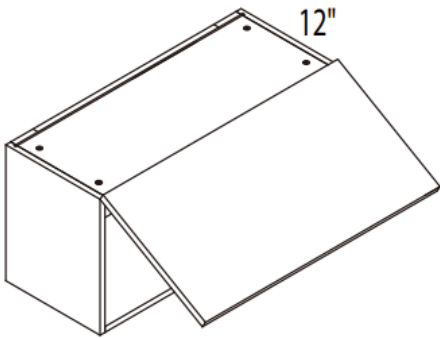
Width	9" 12" 15" 18" 21" 24" 27" 30" 33" 36"
Height	12" 15" 18" 21" 24" 30" 36" 42"
Depth	12" 24"

There are some representative rules for specifications:

1. Hinges  
Except for 42" height door, all door panels apply 2 hinge plate.
2. Shelves  
Height=12",15",18"21"      No shelf  
Height=24"                      1 shelf.  
Height=30",36"                2 shelves.  
Height=42"                        3 shelves.
3. Door arrangements  
Width smaller than 24"      1 door.  
Width =24"      1 door. W\*\*DD is two doors.  
Width greater than 24"      2 doors.

**EXAMPLE:  
E-W3042 BOX  
E-W361524 BOX**

	
	<p><b>WER</b></p> <p><b>Easy reach wall cabinet</b>  A cabinet designed for wall corner space utilization. Two joint doors, L shape layout. The size of cabinet is 24"*24". A 6"*6" corner cut on the back of the cabinet.  The shelf rules are consistent with regular wall cabinets.</p> <p style="text-align: right;"><b>EXAMPLE:</b>  <b>E-WER2430 BOX</b></p>
	<p><b>WDC</b></p> <p><b>Diagonal shape wall cabinet</b>  A better space utilization solution for wall cabinet corners. The size of cabinet is 24"*24". A 6"*6" corner cut on the back of the cabinet.  The shelf rules are consistent with regular wall cabinets.</p> <p style="text-align: right;"><b>EXAMPLE:</b>  <b>E-WDC2430 BOX</b></p>



## WSL

### Single Lift Up door wall cabinet

WSL cabinets have a unique way of opening doors, which are upwards rather than side-way. It requires a set of special hardware to fulfill its functionality.

We use BLUM hardware; the boxes and the doors are pre-drill with the installation position holes.

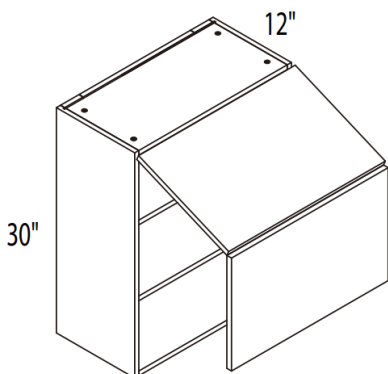
15" & 18" height cabinets recommend BLUM HK-S (stay lift)

18" & 21" height cabinets recommend BLUM HK 20K2700 (middle lift)

24" height cabinet recommend BLUM HK 20K2900 (heavy lift)

Rotating the regular wall cabinet with the corresponding size will end up with an identical size WSL, we don't recommend doing so because the structure may bring further problems.

**EXAMPLE:**  
**E-WSL3618 BOX**

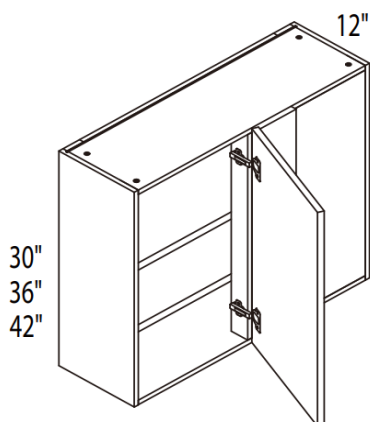


## WBF

### Bi-Folder wall door cabinet

The WBF cabinet looks like two WSL cabinets stacking together. The door open method is also vertical open. Unlike the WSL supports are also hinged. No additional physical hinges are required for installation, but WBF supports need to be used with hinges. 4 hinges are in the standard box package.

**EXAMPLE:**  
**E-WBC3030 BOX**



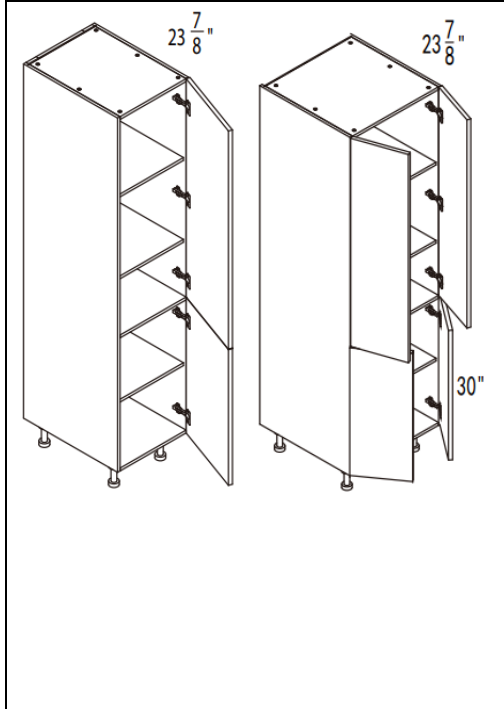
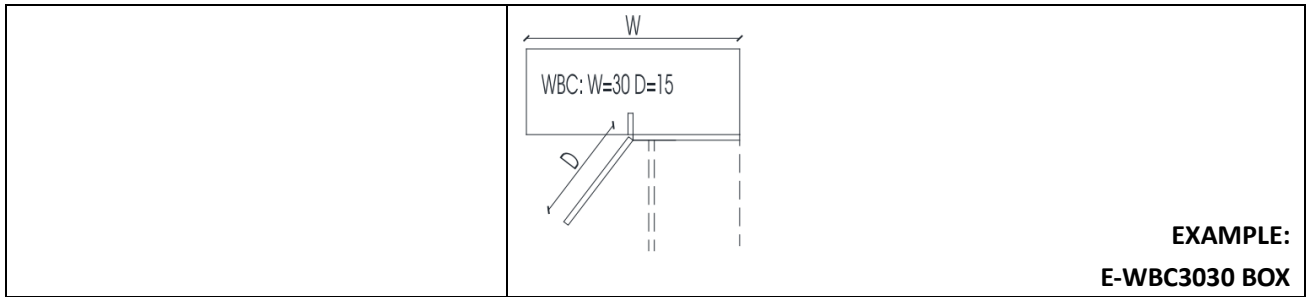
## WBC

### Blind-corner wall cabinet

This corner cabinet just like a base blind corner, the blind part can be regarded as an insert into the corner.

Cabinet width is 30", and the door width is fixed at 12", together with a 6" width filler. That left a 12" blind corner part with a cover panel.

This cabinet is also left-right universal.



# PC

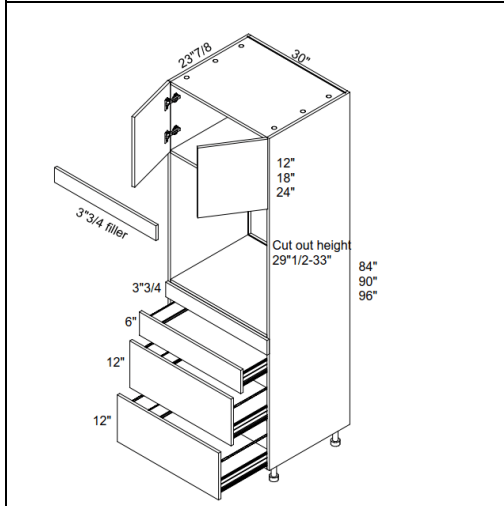
## Regular pantry (two or four side open doors)

Goldenhome Pantry has three height series, 84", 90", and 96". These height numbers represent the total height of the cabinet body and the default feet height of 4 3/4". The height of joinery part is 79 1/4", 85 1/4", and 91 1/4" respectively. This also applies to other tall units. The height of the upper door varies with the model, while the height of the lower door is fixed at 30:< which is the same as that of a full height cabinet.

Door arrangements:

- Width smaller than 24"    2 doors, upper and lower.
- Width =24"    2 doors. PC24\*\*DD is 4 doors.
- Width greater than 24"    4 doors, 2 upper and 2 lower.

**EXAMPLE:**  
**E-PC2490DD BOX**



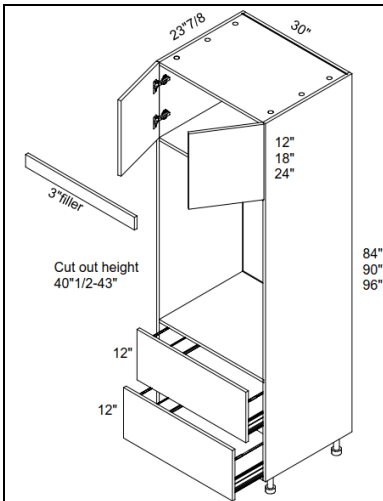
# OC

## Tall cabinet design for built-in single oven

Two side open doors above, three drawers below. Drawer front heights are 6", 12", and 12" from above. The standard appliance opening size is W=28.5" H=33" a filler of 3.75" height is used for adjustment space.

This cabinet is designed for built-in oven appliance

**EXAMPLE:**  
**E-OC3090 BOX**



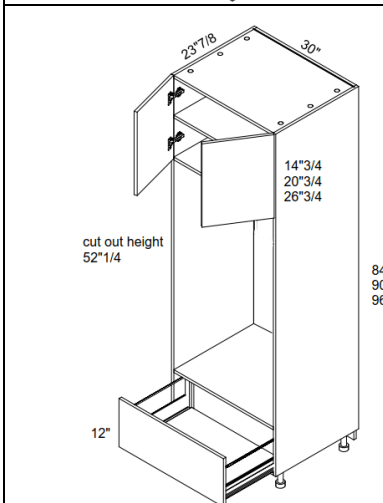
## MOC

### Tall cabinet design for built-in microwave oven

Two side open doors above, two drawers below. Drawer front heights are 12". The standard opening size is W=28.5" H=43", a filler of 3" height is provided as adjustment space.

This cabinet is designed for built-in Microwave-oven & Oven combo appliance.

**EXAMPLE:**  
**E-MOC3090 BOX**



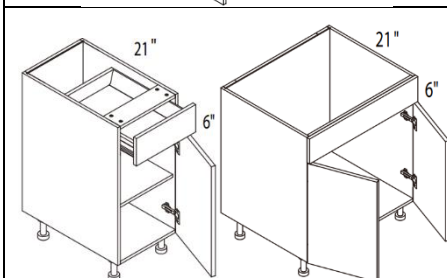
## DOC

### Tall cabinet design for built-in double-oven

Two side open doors above, one drawer below. Drawer front height=12" The standard opening size is W=28.5" H=52.25"

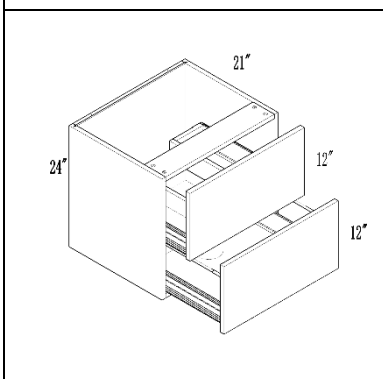
This cabinet is designed for built-in double-oven combo appliance.

**EXAMPLE:**  
**E-DOC3090 BOX**



## VB/VSB/VDB

Goldenhome's standard vanity cabinet system is almost identical to the standard kitchen cabinet system. The only difference is the depth of the cabinet. The depth of the vanity is 21", while the base cabinet is 24". The door fronts can be completely interchangeable between vanities and kitchen cabinets.

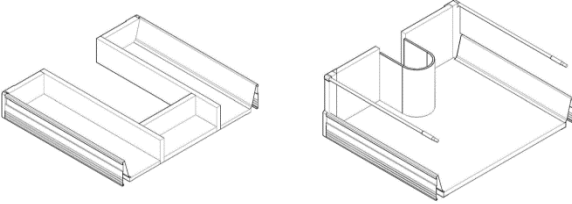
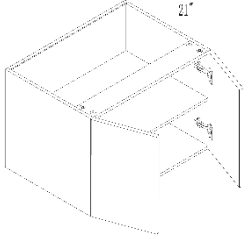
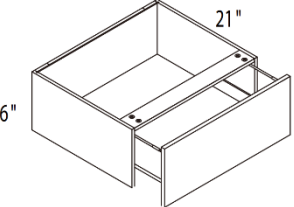
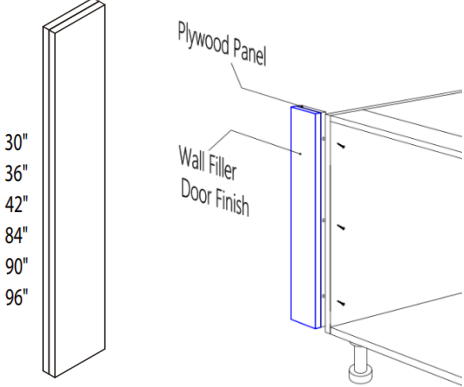
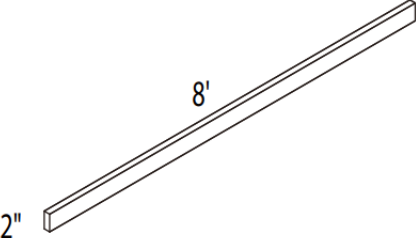


## FVD

### Floating vanity drawer cabinet

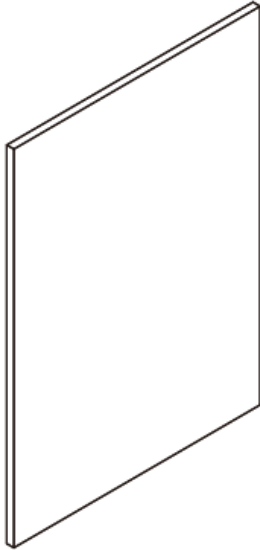
Vanity cabinet of floating style. The height is 20", two equally divided drawers.

For vanities wider than or equal to 24", the drawer boxes are special designed for a vanity sink application. The drawer hardware is 1N+1H.

	 <p><b>EXAMPLE</b> <b>E-FVD30</b> <b>BOX</b></p>
	<p><b>FVB</b></p> <p><b>Floating vanity base cabinet (one or two side open doors)</b> Full height door style vanity base cabinet. width smaller than 24" are single door style, and 24" above are double open style.</p> <p><b>EXAMPLE</b> <b>E-FVB24DD BOX</b></p>
	<p><b>VKD</b></p> <p><b>Vanity knee drawer box</b> A special individual drawer box. Used for hanging between the two sides of the cabinet.</p> <p><b>EXAMPLE</b> <b>E-VKD300621 BOX</b></p>
	<p><b>WF/ TF</b></p> <p><b>Standard filler scribe (universal for base, wall, vanity cabinets)</b> <b>Tall filler scribe</b> The filler boards are the most used décor parts in kitchen cabinet design. One filler is packed with a matching size plywood panel for installing. First attach the plywood to the wall filler, then use screws to fix them from inside of the side panel. We suggest making the matching surface even with the door front.</p> <p><b>Example</b> <b>GW-WF330</b> <b>GG-TF696</b></p>
	<p><b>LR</b></p> <p><b>Light rail molding</b> The light rail is not often used in frameless cabinets. We provide a 2" matching color scribe to serve as light rail compartment.</p> <p><b>EXAMPLE</b> <b>DW-LR8</b></p>

	<h2>CM</h2> <p><b>Crown molding scribe</b></p> <p>Available in WSK and GSK only, Classic crown molding design. MDF material, a single SKU is a 8 feet scribe.</p> <p style="text-align: right;"><b>EXAMPLE:</b> <b>WSK-CM8</b></p>				
	<h2>TK</h2> <p><b>Toe-kick board</b></p> <p>Goldenhome provides two kinds of TK board, one of those is made of aluminum, use TK10 as SKU code, without any prefix. The other is made from matching color door material. Presented as TK8.</p> <p>Two kinds of clasp fittings for installation are packed with every base cabinet.</p> <table border="1" data-bbox="662 817 1436 1198"> <thead> <tr> <th data-bbox="662 817 1056 862">Clasp for TK8</th> <th data-bbox="1056 817 1436 862">Clasp for TK10</th> </tr> </thead> <tbody> <tr> <td data-bbox="662 862 1056 1198"> </td> <td data-bbox="1056 862 1436 1198"> </td> </tr> </tbody> </table> <p style="text-align: right;"><b>EXAMPLE:</b> <b>TK10</b> <b>GW-TK8</b></p>	Clasp for TK8	Clasp for TK10		
Clasp for TK8	Clasp for TK10				
	<h2>DWR</h2> <p><b>Reversible dishwasher end panel</b></p> <p>A free-standing end panel structure. The front and side are two pieces of matching door panel, together with four plywood panels built themselves into a cube structure.</p> <p>This item is pre-assembled, with a fixed dimension. 2-in-1 package.</p> <p style="text-align: right;"><b>EXAMPLE</b> <b>GW-DWR3</b></p>				





# MBEP/MWEP/TEP/REF

**Matching wall end panel / Matching base end panel**

**Tall end panel / Refrigerator end panel**

The panel made from material identical to door panel. Goldenhome boxes are white melamine finish, that makes the matching end panel necessary.

some items' size is not strict as the code refereeing. Please check the following sheet for detail.

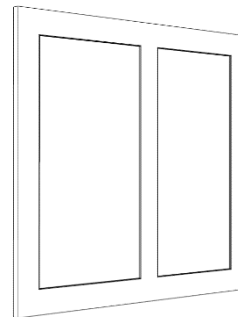
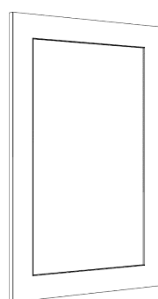
### THE END PANEL SIZE FACT

SKU	ACTUAL SIZE		SKU	ACTUAL SIZE	
MBEP24	W	24"5/8	MWEP1230	W	12"3/4
	H	34"3/4		H	30"
MBEP21	W	21"3/4	MWEP1236	W	12"3/4
	H	34"3/4		H	36"
MBEP2124	W	21"3/4	MWEP1242	W	12"3/4
	H	24"		H	42"
MBEP26	W	25"3/8	MWEP1248	W	12"3/4
	H	34"3/4		H	48"
MBEP36	W	37" 5/8	TEP9024 3/4"	W	24"5/8
	H	34" 3/4		H	84"
REF9624 3/4"	W	24"5/8	TEP9024 3/4"	W	24"5/8
	H	95"3/4		H	90"
REF9636	W	35"3/4	TEP9634 3/4"	W	34"3/4
	H	95"3/4		H	95"3/4

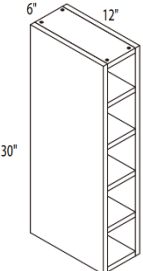
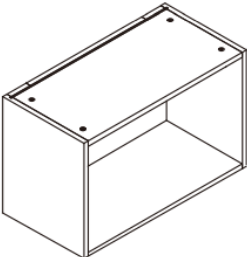
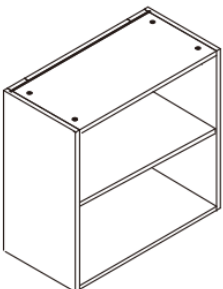
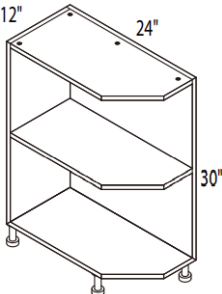
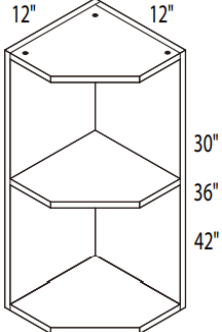
Find more application examples in **chapter 7 Application**

Due to the material size limit, for those end panels higher than 48", the grain direction is always vertical.

The Shaker style also have end panel with shaker style. The type-code is SBEP and SWEP.



**EXAMPLE**  
**WSK-SWEP1236**  
**LW-MBEP24**

<b>WRC</b>	
<b>WOC (H=15")</b>	
<b>WOC (H=30")</b>	
<b>BES</b>	
<b>WES</b>	

# WRC/WOC/BES/WES

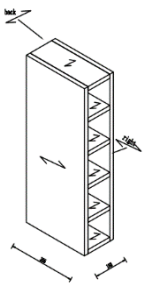
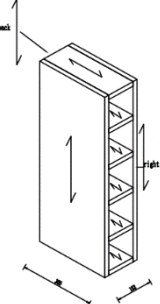
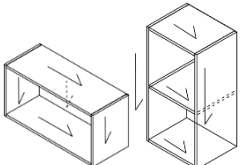
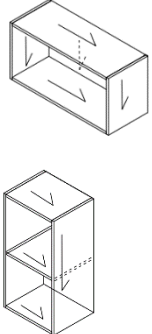
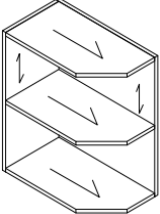
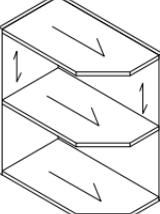
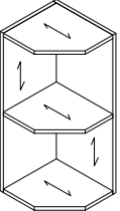
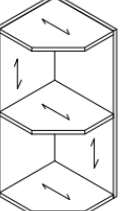
**Wine rack cabinet/ Wall Open Cabinet**

**Base end shelf/ Wall end shelf**

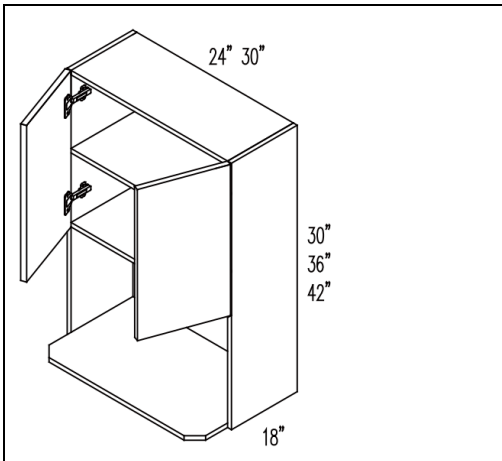
The decoration items that made from door material.

For some product lines, the board has a different finish on the front and back, the matching door front finish is inwards, upwards.

The grain direction for those items also are standardized.

Horizontal Grain Door	Vertical Grain Door
	
	
	
	

**EXAMPLE  
DW-WRC630**

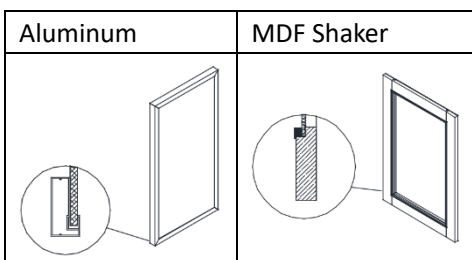


## WM

### Wall Microwave cabinet

For the situation of the microwave oven installed in the wall cabinet. The whole cabinet body is made from matching door material, For material that does not match front and back, the finish side always towards exterior.

EXAMPLE  
WT-WM3042

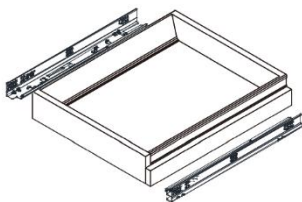


## WMD

### (Wood or aluminum frame) glass door

In Goldenhome product series, The WMD without prefix refers to the aluminum framed glass door, the glass is 5mm frosted glass. The wood frame glass door only available for WSK and GSK style.

EXAMPLE  
WMD1536  
WSK-WMD1536

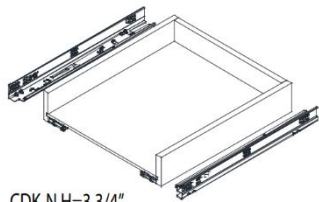


## ROT

### Roll-out tray

Also known as inner drawer, identical drawer structure of standard N drawer,

EXAMPLE  
E-ROT12



CDK-N H=3 3/4"



CDK-N H=7 1/2"

## CDK

### Drawer replacement kit

#### (wood drawer box with bottom amount glides)

The CDK is different than ROT. It is an optional replacement part for a standard drawer, rather than a separate optional add-on.

In application, the original drawer part from the box package should be taken out, then fit the CDK where the standard DTC drawer should be. Two heights available, which corresponds to the standard N & H drawer.

EXAMPLE  
CDK30H

	<p><b>FS</b></p> <p><b>Floating shelf</b></p> <p>A 2" thickness matching finish shelf, packed with metal installation frame.</p> <p style="text-align: right;"><b>EXAMPLE</b> <b>WT-FS36</b></p>
--	--

### 3.8 FAQs

1. How to connect Toe Kick with Feet?

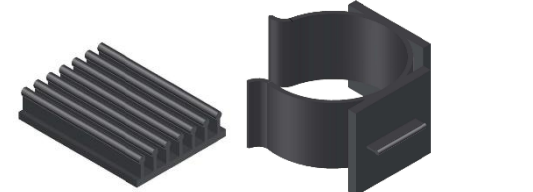

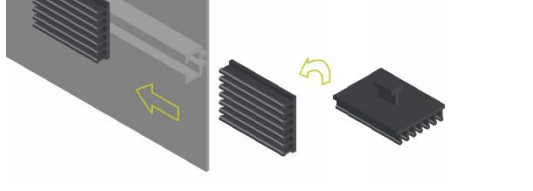
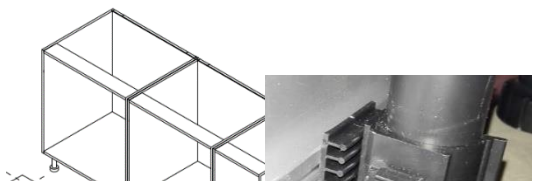

A: We have two kinds of toe-kick available, please refer to the application instruction on page xx

The installation instruction is as follow:

#### TK8 Installation instruction:

Step	Description	Diagram
1	Locate the part of TK 8-connector clip in hardware pack. (A rectangle plastic clip with 2 pre-drill holes)	
2	Position the connector clip on the middle of back side of toe-kick board. Pay attention to the alignment of the feet position. Fasten is with screws.	
3	Attach the ring shape clip to the foot with the sides of the fixture facing outwards.	
4	Install the TK board on to the foot. Adjust the position.	

TK10 install instruction

Step	Description	Diagram
1	Locate the part of TK -connector clip in hardware pack. (A rectangle plastic clip board, and a round shape clip part)	
2	Cut the TK board to designated dimension.	
3	Turn back the clip as shown in the figure, slide the T shape nob into the slot behind the TK board to its position.	
4	Position the TK board installed with clips at corresponding position, Attach the ring shape clip to the foot with the sides of the fixture facing outwards.	
6	Install the TK board on to the foot. Adjust the position.	

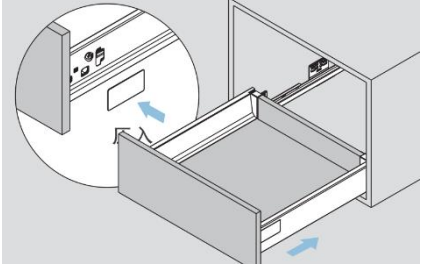
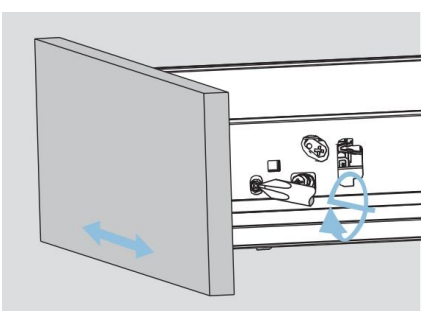
2. How to install a filler?

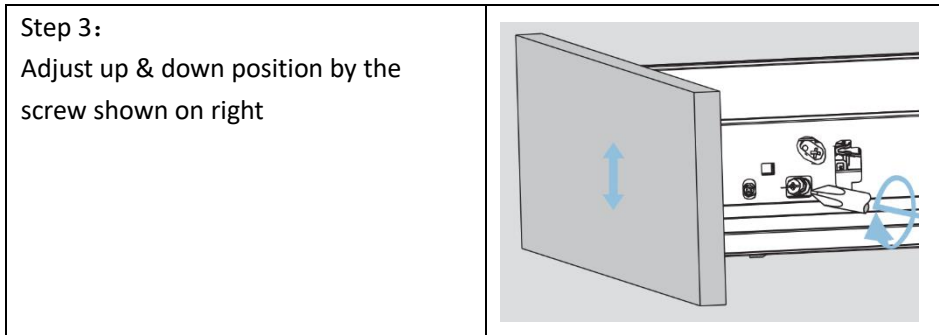
A: Please check the Filler application introduction on page xx

You can also refer to the “Full Set Kitchen Cabinet Install Video” 2’10”

3. How to line up the drawer door face?

A:

<p>Step 1: Find the adjust screw beneath the cover on the side of drawer.</p>	
<p>Step 2: Adjust left &amp; right position by the screw shown on right</p>	



you can also refer to the “Full Set Kitchen Cabinet Install Video” 3’10”

4. How to install drawer slides and drawer box?

A: Position the hardware at this hole on drawer hardware



Please refer to the “single cabinet assembly Video” 1’03”

5. What is door grain direction?

A: Some of the door color is with horizontal grain direction, such as DW, PP. Due to the problem of raw materials, the upper piece door of Pantry door needs to rely on two pieces of joint, with a seam can be observed. We have developed a new type of pantry door, that is the same height as the upper and lower doors, to eliminate the possible joint.

For horizontal grain color, their TEP and REF side panels, because of the limitation of material, are vertical grain.

6. Is the door grain continuous between two doors?

A: No, we cannot. The raw material is usually 4’\*8’ panel, during the production process, we cannot decide which two doors will end up side by side, they could even come from different batches.

7. Is the end panels’ actual size match their size code?

A: No always, in our product basis, the size of the end panel should be large enough to cover the side of the door panel. Please refer to page31 for detail info.

8. How to install different types of hardware.

A: There are install instructions In our individual packed hardware, for most of those, we have pre-drills on

correspond box panel to help with better installation. You can also refer to the video material we provided

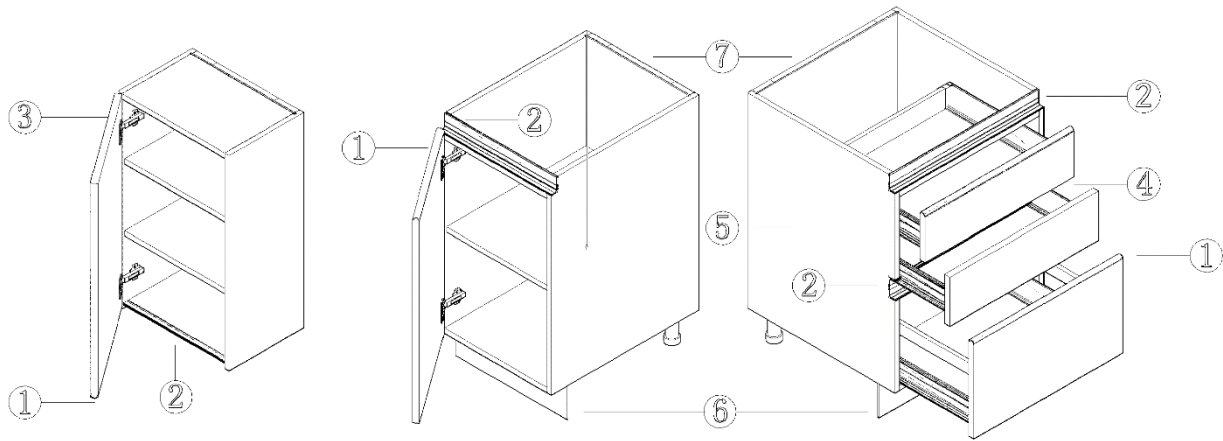
3.Trash Can, Please refer to the “Trash Can Install Video.”

4.Pantry Tray, Please refer to the “Pantry Tray Install Video.”

5.Lazy Susan, Please refer to the “Lazy Susan Tray Install Video.”

# 4 C series introduction

## -4.1 General Specs & Features



- ① High gloss lacquer surface decorated with chrome integrated metal handle on one end.
- ② Hidden handle of chrome color.
- ③ BLUM® 110° integrated soft-close hinge.
- ④ BLUM® TANDEMBOX soft-close drawer.
- ⑤ 3/4" cream white laminated plywood box.
- ⑥ Chrome color toe kick board clip on adjustable ABS feet.
- ⑦ Back panel consist of 3/4" plywood frame and 1/8" matching color laminated plywood.



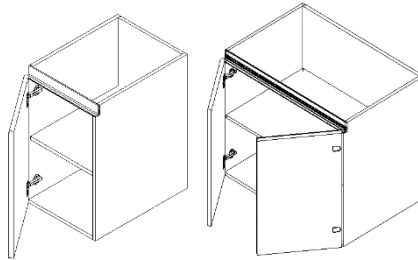
## -4.2 SKU instruction

### I Base Units

#### 1. Regular Base

Code: C-BXX-BOX E.g: C-B15-BOX

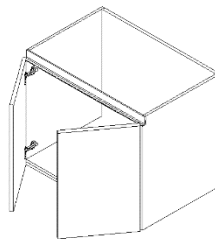
Regular base cabinet is full height door style. The box height is 30" while the door height is 28.5". Cabinet has width below and equal to 24" is one door style while above 24" is double open. One adjustable shelf per cabinet.



#### 2. Sink Base

Code: C-SBXX E.g: C-SB36

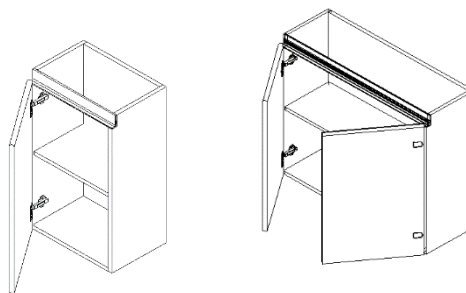
Sink base has identical structure with regular base cabinet. The only difference is Sink base has no shelf.



#### 3. Shallow Base

Code: C-BXXS E.g: C-B27S

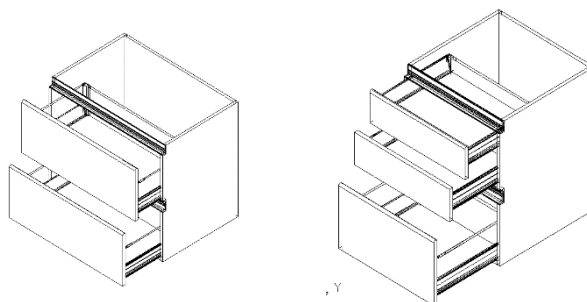
Shallow base cabinet has 10.5" depth. It can be designed building a standard 50" with regular base cabinets.



#### 4. Drawer Base

Code: C-DBXX-3/C-DBXX-2 E.g: C-DB30-3

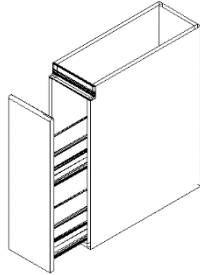
C3 drawer base apply BLUM drawer as standard. The segmentation of drawer fronts are 1:1:2 for DB-3. 1:1 for DB-2



## 5. Spice Rack Base

Code: C-BSR09

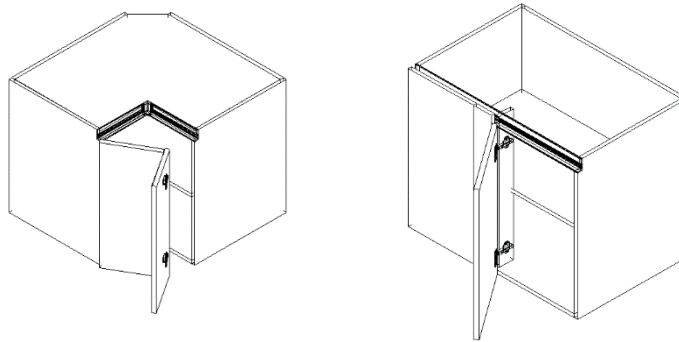
The BSR 09 cabinet is assembled packed with the hardware.



## 6. Easy Reach Corner Base and Blind Corner Base

Code: C-BER36, C-BBC36-42, C-BBC42-45

Base corner solutions. The BER can be installed with a Lazy Susan tray. The BBC42-45 can be installed with a BBC-TRAY. BBC36-42 has 15" width door and BBC42-45 has 18" width door.



## II Wall Units

### 1. Regular Wall Cabinet

CODE: C-WXXXX, E.g: C-W1830, C-W3036, C-W3015

The two sets of size code number indicates the width and the height.

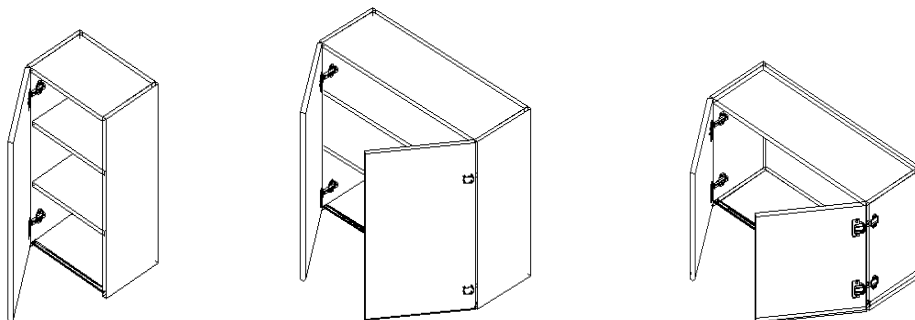
W1830: 18" width, 30" height

W3015: 30" width, 15" height

W3036: 30" width, 36" height

The cabinets with 24" or less width are one door style. Cabinets wider than 24" has two doors.

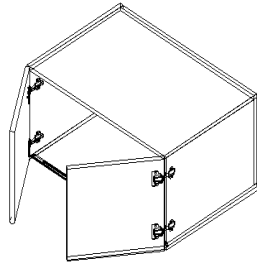
Cabinets with 12", 15", 18" have no shelf. Cabinets with 30", 36" height has two adjustable shelves.



2. Refrigerator Wall Cabinet

Code: C-WXXX24, E.g: C-W301524

This typical cabinet is for cabinet above fridge. the depth of the cabinet is 23”7/8 as base & pantry.

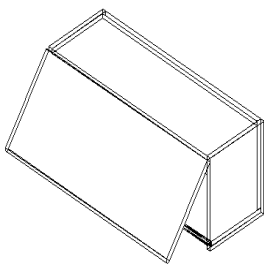


3. Flip Up/ Fold Up Wall Cabinet

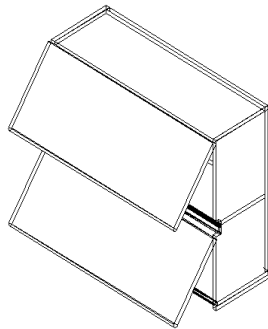
CODE: C-WSLXXXX, C-WDLXXXX, C-WBFXXXX E.g: C-WSL3015, C-WDL3630, C-WBF3630

These three types wall cabinet have unique way of opening doors, which are upwards rather than side-way. Functional hardware are required to complete the cabinet assembly.

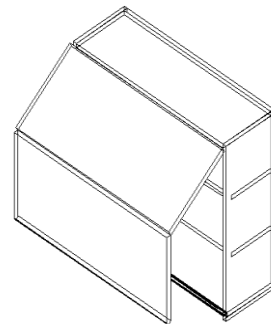
WSL is for single lift, WDL is for double lift, WBF is for bi-fold up. The WSL and WDL required BLUM stay lift mechanism, our heavy duty one is required for 18” height. The WBF require BLUM fold up lift.



WSL



WDL

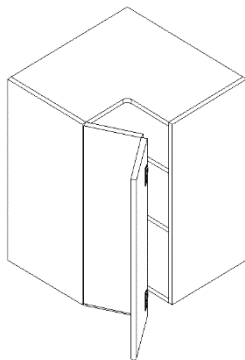


WBF

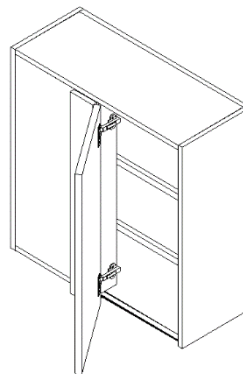
4. Easy Reach Corner Wall and Blind Corner Wall

Code: C-WER2430, C-WER2436, C-WBC3030, C-WBC3630

Two shapes of wall corner cabinet. Have adjustable shelves as regular walls. The easy reach style and the blind corner style. A WBC always have 15” width door.



WER



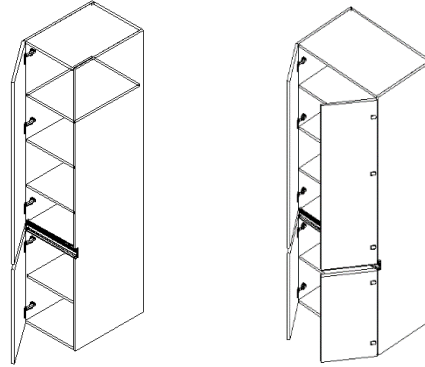
WBC

### III Tall Units

#### 1 Pantry Cabinet

CODE: C-PCXX84, C-PCXX90

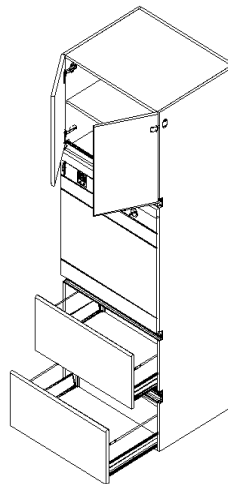
C3 pantry has two height standard, 84" and 90". With 24" or less width, pantry has two door up and down arrangement with same direction; with 30" width, pantry has four doors side-by-side arrangement. 3+1 adjustable shelves.



#### 2 Oven Cabinet

Code: C-OC3090, C-OC3084

Two BLUM D drawers below, double open door above. The oven cut out height ranges from 29" to 30"1/2.



### IV Decorative units

#### 1 Fillers

CODE: C3-WF330, C3-BF330T

Flat fillers used as regular fillers. The fillers are as door material & finish. the -"T" post-fix refer to a filler with integrated handle on top

#### 2 Flat End Panel

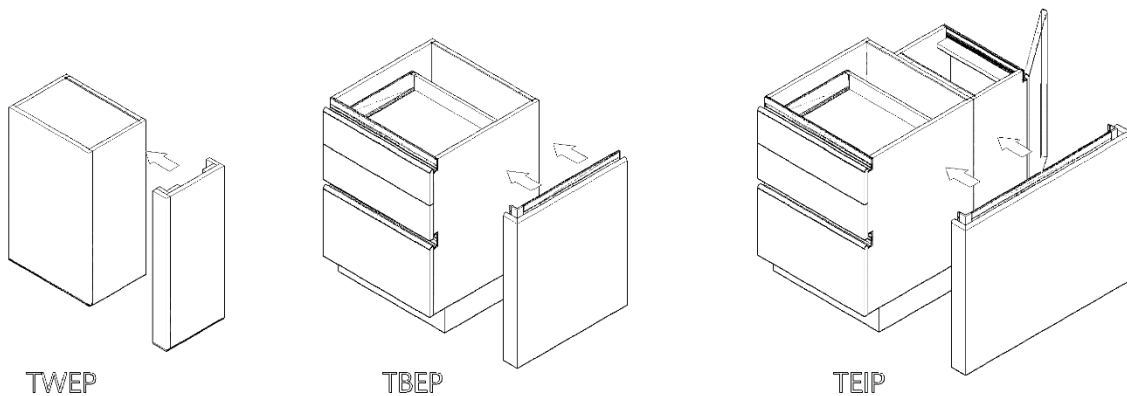
Code: C3-BEP2430, C3WEP1230

Flat panel as door material & finish. The end panels are designated cover the edge of doors.

#### 3 Thick End Panels

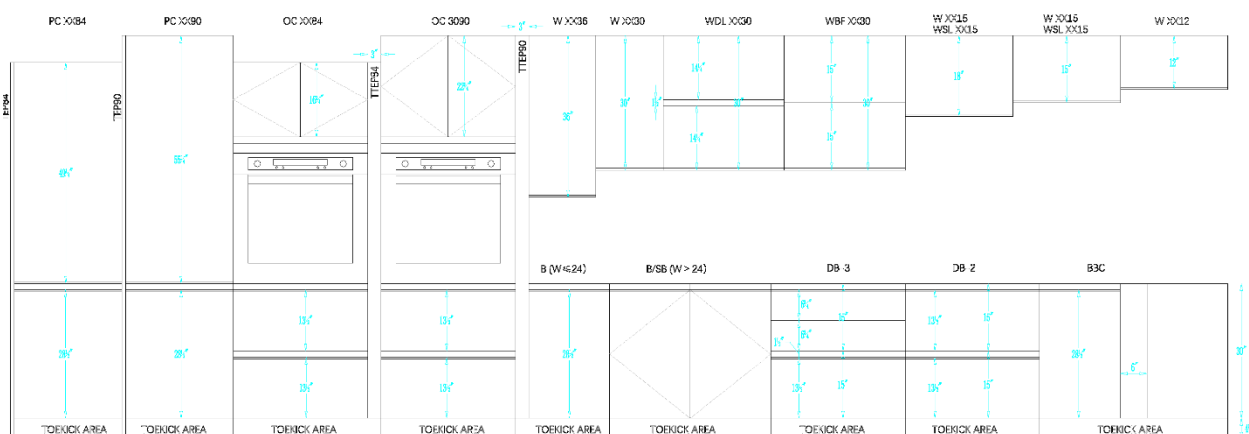
Code: C3-TBEP24, C3-TWEP30, C3-TIEP36, C3-TTEP90

Thick end panel are unique for C3 design. Base cabinets, wall cabinets and pantry cabinets have their matching thick end panel for design.



**-C3 Cabinet Design Hints**

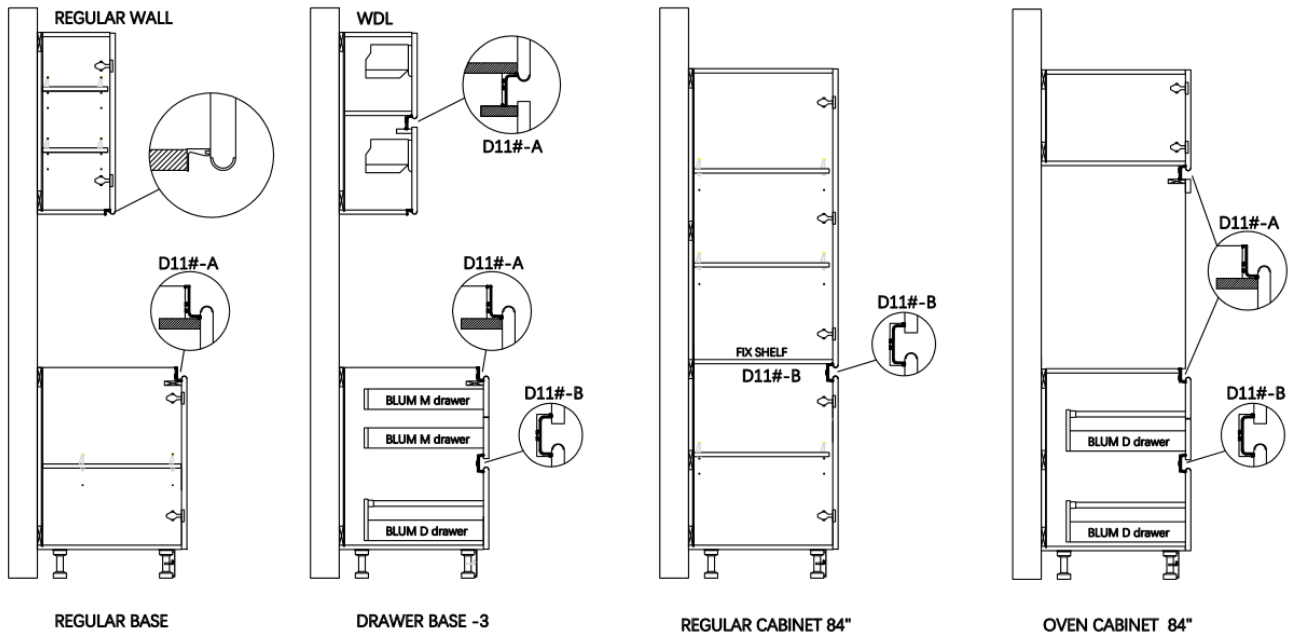
**C3 CABINET DIMENSIONS APPLICATION**  
(number after wall cabinet refer to height of cabinet)



- Standard base cabinets are FULL HEIGHT DOOR style.
- 3 draw base segmentation are 1:1:2.
- 30" height wall cabinet door cannot be substitution for base cabinet.
- Shallow box depth is 10.5", is used for building 36" depth island with back on back standard base cabinets. While two standard cabinet back on back make 50" island.
- You cannot stack a WSL on another one.

**-Built-in handle application**

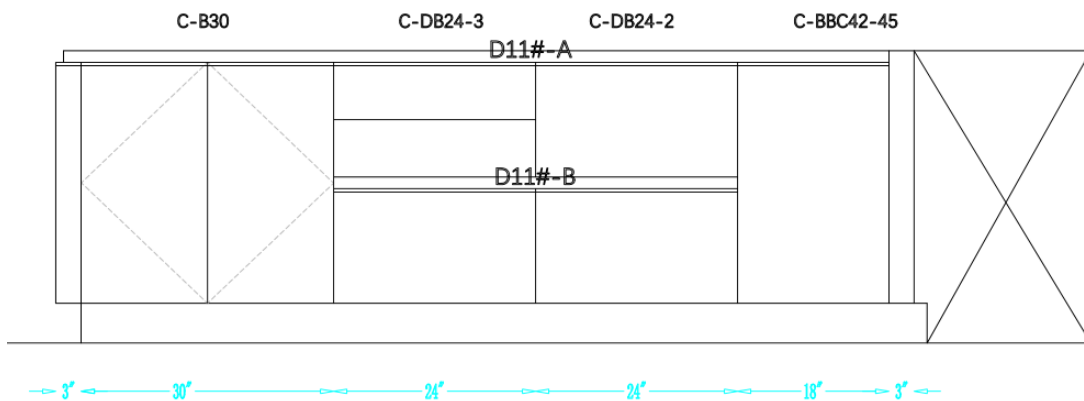
C3 series has "Handle-less" design. Handle-less doesn't mean no handle. C3 applies a combo of hidden handle scribe, integrated handle attached to door panel to build the distinctive design. The D11-A and D11-B are stock in 3 feet scribe just like TK10. They need to be custom cut for every individual kitchen.



**Handle length calculation sheet**

Cabinet Type	B	SB	DB	BSR	OC
D11#-A handle length	cabinet width	cabinet width	cabinet width	cabinet width	cabinet width *2
Cabinet Type	BBC36-42	BBC42-45	BER	TBEP	TIEP
D11#-A handle length	21"3/4	24"3/4	11" (281mm)	1"1/8 (28mm)	1"1/8 on each side (28mm)
Cabinet Type	DB	OC	PC	WDL	
D11#-B handle length	cabinet width	cabinet width	cabinet width	cabinet width	

**Sample**



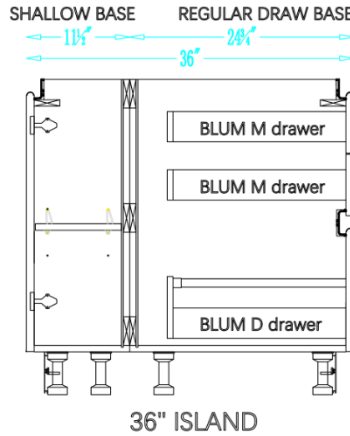
$D11\text{-}A \text{ cut size} = 1\text{'1/8} + 30\text{' + }24\text{' + }24\text{' + }24\text{'3/4} = 103\text{'7/8}$

$D11\text{-}B \text{ cut size} = 24\text{' + }24\text{' = }48\text{'}$

### -4.3 C-series FAQs

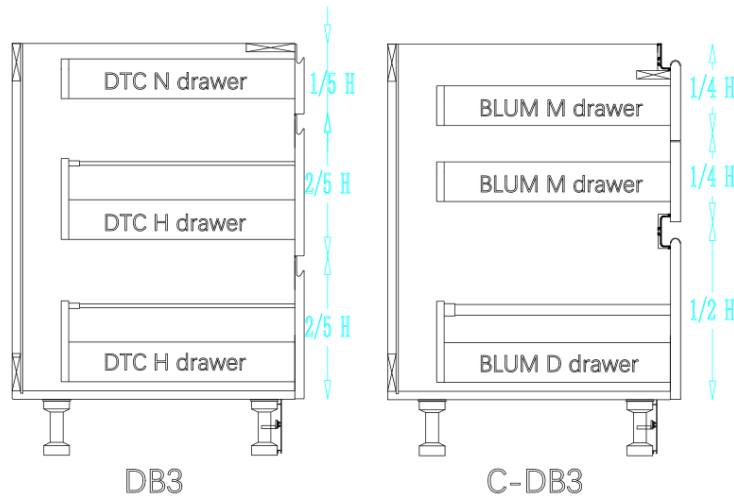
**- What's the difference between B18 and B18S?**

The one with post-fix S is shallow base cabinets which have 10.5" depth and they could match with regular base cabinets to build a 36" depth "island".



**-What is the difference between C3-DB-3 and regular DB-3?**

C3 drawer front door divides into 3 parts as a ratio of 1:1:2. It requires 2 sets of BLUM M drawer and 1 set BLUM D drawer while regular DB-3 divided as 1:2:2, 1 set N height drawer & 2 sets H height. This is also one of the primary differences between C3 and regular cabinets in design.

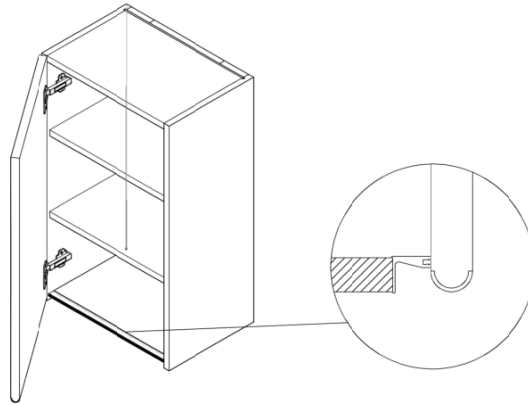


**-Is there any difference in hardware?**

C3 series apply BLUM soft-close hinges and drawers as standard. BER hinges are DTC as regular cabinets. FYI: DTC and BLUM drawer & hinges are interchangeable.

**-What's the structure of wall cabinets?**

Wall cabinets of C series are quite similar to regular ones. There is a bar of built-in aluminum handle per every wall cabinet, which is the most difference with regular wall cabinets.

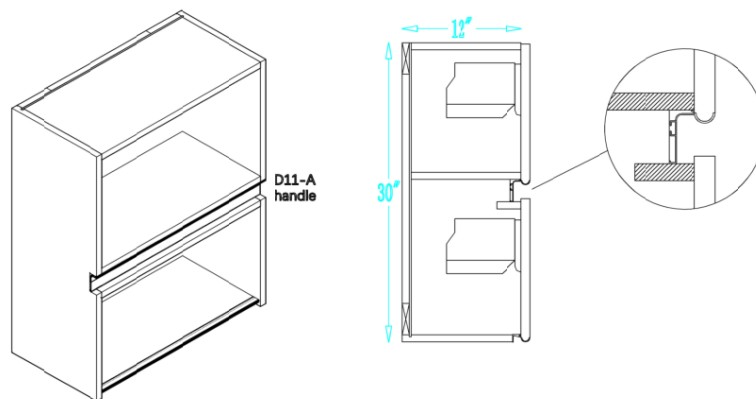


**-Does C series have matched glass door?**

C series don't have the matched glass door. Glass door design in C series is not recommended neither.

**-What is WDL speciality?**

WDL is a distinctive type wall cabinet in C series which has double flip up doors. The difference between WDL and 2 WSL stacked design is that WDL has built-in L type handle in the middle front of cabinet.



**-What are BEP, WEP, TBEP, TIEP, TTEP stands for?**

BEP, WEP stand for SLAB END PANEL(same as door material), full name as Base End Panel; TBEP, TIEP, TTEP stand for distinctive thick end panel in C series of 3" width (76mm), full name as Thick Base/Wall/Island End Panel.

**-Why bother distinguishing LEFT OPEN OR RIGHT OPEN in C series?**

Because C3 front doors have built-in metal handle on the one end of door, just like LW series, that's why we need to distinguish LEFT OPEN OR RIGHT OPEN in single open cabinets.

**-Could 30" height door of wall cabinets exchange with the identical width base cabinet doors?**

The doors have same width cannot exchange with each other. The standard height of base cabinet door is 28.5" and the standard height of wall cabinet door is 30".



# 5 Hardware

“Hardware” can be categorized into two types. The first kind is the essence that makes up the cabinet structure itself, for instance, screws, dowels, shelf supports. Another kind is the component that serves the function of kitchen utilization, hinges, drawer glides, various pull-out racks can be categorized into this part.

There is a piece of assembly instruction in every box package. In the list of the top right corner. Both structure hardware and function hardware are included, in practice, it doesn't matter how we classify them, it matters where we can find them.

**ASSEMBLY INSTRUCTION B15**

PICTURE	ITEM	SPEC	QTY.
1	Hinge	Drawer hinges	2
2	Cam lock	ø15*13	16
3	Cam lock screw	ø6*35	16
4	Dowel	ø6*35	4
5	Shelf support	ø5	4
6	ABS Leg	4 3/4" ± 1/4"	4
7	Drawer slide(N)	Length=19 3/8"	1

Part	L	W	T	QTY.
1	Left panel	26"	23 1/2"	1
2	Bottom panel	23 1/2"	19 1/2"	1
3	Panel	19 1/2"	4 1/2"	1
4	Back panel	29 1/2"	19 1/2"	1
5	Right panel	26"	23 1/2"	1
6	Shelf	22 1/2"	19 1/2"	1
7	Drawer bottom panel	19 1/2"	19 1/2"	1
8	Drawer lock panel	19 1/2"	3 1/2"	1
total: 8				

Part	L	W	T
9	Door	14 1/2"	23 1/2"
10	Drawer Front	14 1/2"	9 1/2"

V.1.1

## 5.1 Structure Hardware

ALL STRUCTURE HARDWARE ARE PACKED IN INDIVIDUAL BOX PACKAGE










Following picture is a screenshot of Goldenhome IT system, showing the BOM(Bill Of Materials) of W3030 box SKU, which means that all the materials in the list will be wrapped in the package of the cabinet.

唯一码	标准柜	部件/物料		业务数量	基本数量	备
		编码	名称			
E-w3630B0	Uw-双开门	(HC991475)	犀利PUR快干胶	0.0464	14.3694	
E-w3630B0	Uw-双开门	(DH030378)	美标-18mm多层板CARB标签	1	1	
E-w3630B0	Uw-双开门	(HC011079)	胀塞	20	20	
E-w3630B0	Uw-双开门	(HC011399)	海外-乳白皮纹PVC封边条0.8*22mm	14.512	14.512	
E-w3630B0	Uw-双开门	(HC031003)	三合一胀塞	14	14	
E-w3630B0	Uw-双开门	(HC991314)	高温白色热熔胶88501	0.0048	0.1209	
E-w3630B0	Uw-双开门	(BC041114)	海外-18mm素色多层板P2	0.106	0.3156	
E-w3630B0	Uw-双开门	(WJ081104)	海外-DTC阻尼全盖铰链	4	4	
E-w3630B0	Uw-双开门	(WJ210587)	HA9-w2AwBF	1	1	
E-w3630B0	Uw-双开门	(WZ011907)	美标BOX地盖E-w3630	1	1	
E-w3630B0	Uw-双开门	(WZ011908)	美标BOX天盖E-w3630	1	1	
E-w3630B0	Uw-双开门	(WZ013461)	连续式不断五层纸版1174宽N	1.086	1.086	
E-w3630B0	Uw-双开门	(WZ013480)	连续式不断五层纸版1073宽N	1.138	1.138	
E-w3630B0	Uw-双开门	(BC041121)	海外-3mm乳白皮纹中纤板P2	0.2516	0.7491	
E-w3630B0	Uw-双开门	(BC041124)	海外-18mm乳白皮纹多层板P2	0.5332	1.5875	

Some of them can be also ordered individually.

## The Structure Hardware

### And Small Accessories

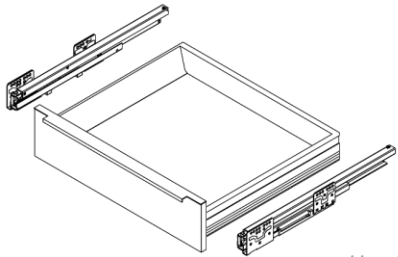
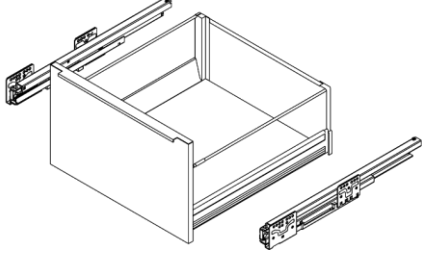
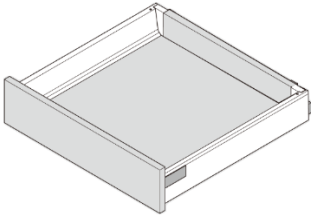
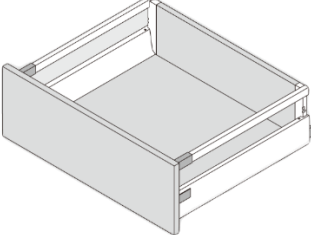
Dowel		Cam-lock	
ABS feet		Shelf supports	
Bumper		Masking sticker	
Dust corner		Tapping screw	
Toe-kick clips		Toe Kick clip for wood TK	

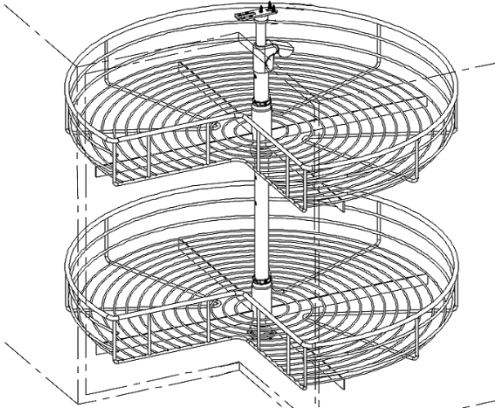
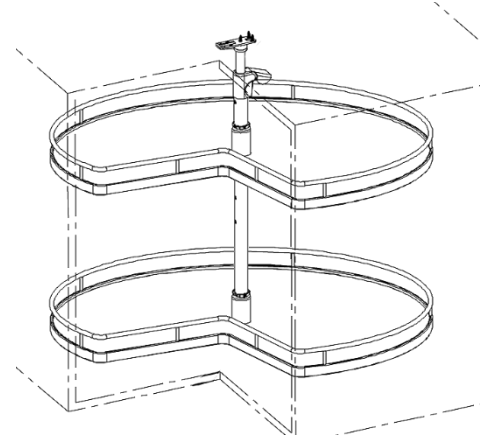
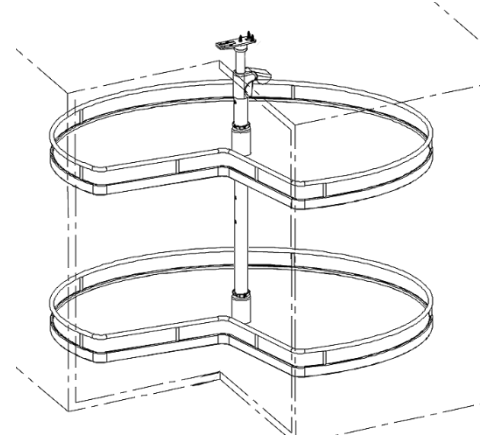
## 5.2 Functional hardware

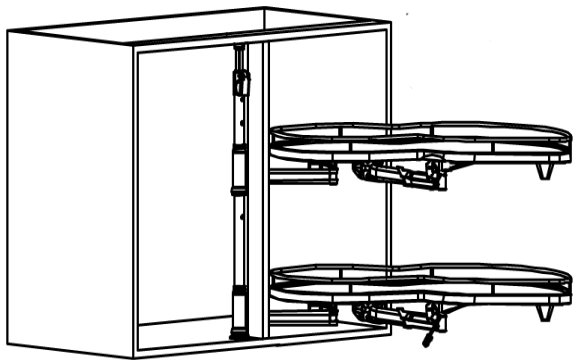
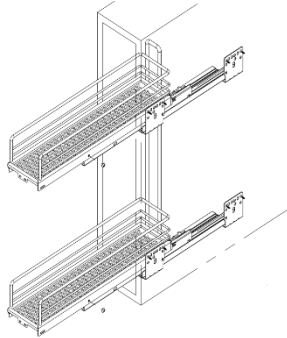
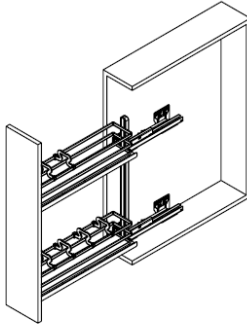
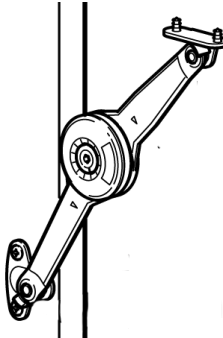
**EXCEPT FOR HINGES AND PRE-ASSEMBLE BOX, ALL FUNCTIONAL HARDWARE IS PACKED INDIVIDUALLY**

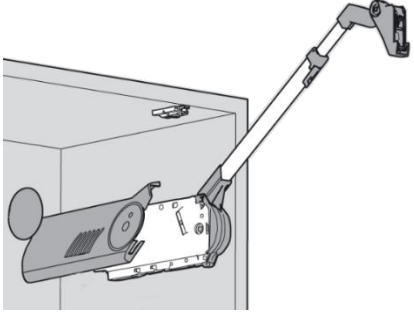
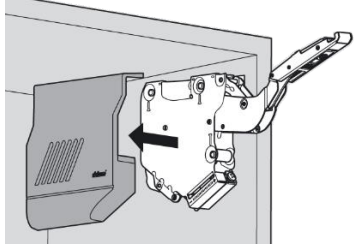
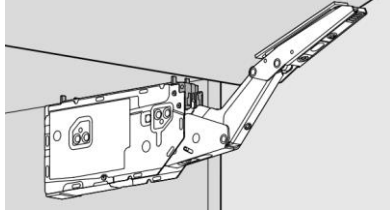
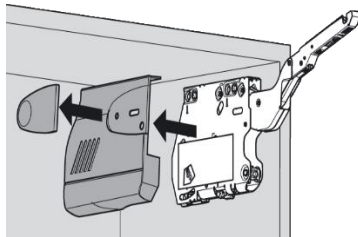

In addition to the cases above, there are some minor exceptions. For example, the BLUM HF, a functional accessory to the WBF cabinet, also contains hinges that connect the two upturned doors. However, these cases do not affect our understanding of hardware logic in general.



### The SKU list of Function Hardware

<p><b>DTC N DRAWER</b></p>	 <p style="text-align: right;"><i>Hardware only</i></p>
<p>Description: Regular standard drawer hardware</p>	
<p>Adaptable for all cabinets have 6" height drawer front.</p>	
<p><b>DTC H DRAWER</b></p>	 <p style="text-align: right;"><i>Hardware only</i></p>
<p>Description: Regular tall drawer hardware</p>	
<p>Adaptable for all cabinets have 12" or 15" height drawer front.</p>	
<p><b>BLUM M DRAWER</b></p>	 <p style="text-align: right;"><i>Hardware only</i></p>
<p>Description: Upgrade option for DTC N drawer. Standard for C-series boxes</p>	
<p>Adaptable for all cabinets have 6" height drawer front.</p>	
<p><b>BLUM D DRAWER</b></p>	 <p style="text-align: right;"><i>Hardware only</i></p>
<p>Description: Upgrade option for DTC H drawer, standard for C-series boxes</p>	
<p>Adaptable for all cabinets have 12" or 15" height drawer front.</p>	
<p>There is also optional GLASS DRAWER SIDE for the Blum Drawer and METAL DRAWER SIDE for DTC drawer.</p>	

<p><b>BLS33-TRAY</b></p>	
<p>Description: Lazy Susan tray , metal frame bottom</p>	
<p>For BLS33 BOX or BER33 BOX. Universal for S-, E-, and C- box</p>	
<p><b>BLS36-TRAY</b></p>	
<p>Description: Lazy Susan tray , metal frame bottom</p>	
<p>For BLS36 BOX or BER33 BOX. Universal for S-, E-, and C- box</p>	
<p><b>BLS33-ARENA TRAY</b></p>	
<p>Description: Upgraded lazy Susan tray. Melamine bottom panel</p>	
<p>For BLS33 BOX or BER33 BOX. Universal for S-, E-, and C- box</p>	
<p>For BLS33 BOX or BER33 BOX. Universal for S-, E-, and C- box</p>	
<p><b>BLS36-ARENA TRAY</b></p>	
<p>Description: Upgraded lazy susan tray, Melamine bottom panel</p>	
<p>For BLS36 BOX or BER33 BOX. Universal for S-, E-, and C- box</p>	

<p><b>BBC SWING OUT TRAY</b> <b>(left out/right out)</b></p>	
<p>Description: Swing out corner tray for blind corner cabinet design</p>	
<p>Specified for BBC42-45. NOT suitable for BBC 36-42. Updated version hardware for BBC 42-45N</p>	
<p><b>BSR06-PULL OUT</b> <b>BSR09-PULL OUT</b></p>	
<p>Description: Side mount glide pull-out hardware, for 6" and 9" width cabinet.</p>	
<p>Usually assembled with box</p>	
<p><b>BSR06N-PULL OUT</b> <b>BSR09N-PULL OUT</b></p>	
<p>Description: Upgraded pull-out spice rack hardware has two layers and soft-close mechanism</p>	
<p>Specified for BSR06N-BOX and BSR09N-BOX Usually assembled with box</p>	
<p><b>GH LIFT UP SUPPORT</b></p>	
<p>Description: Simplify flip up supports</p>	
<p>Adaptable for all WSL cabinets which height &lt; 18" Extra hinges needed.</p>	

<p><b>BLUM FOLD LIFT</b></p>	
<p>Description: BLUM AVENTOS HF Fold up door support.</p>	
<p>Two packages as one item Used for WBF cabinets, 30" or 36" height. Hinges packed with hardware, not with the box.</p>	
<p><b>BLUM STAY LIFT</b></p>	
<p>Description: BLUM AVENTOS HK-S Flip up door support</p>	
<p>For WSL cabinets, door height =12" or 15". Install position holes are predrilled with box and door panel</p>	
<p><b>BLUM MIDDLE STAY LIFT</b></p>	
<p>Description: AVENTOS 22K2700 Flip up door support</p>	
<p>For WSL cabinets, door height=18" or 21". Install position holes are predrilled with box and door panel</p>	
<p><b>BLUM HEAVY STAY LIFT</b></p>	
<p>Description: AVENTOS 20K2900 Flip up door support</p>	
<p>For WSL cabinets, door height=24" or above. Install position holes are predrilled with box and door panel</p>	
<p><b>E-BTC-18 TRASH CAN</b></p>	
<p>Description: Pull-out trash can hardware, include two plastic trash can. Bottom mount glides</p>	
<p>Specified for BTC18-BOX; Install position holes are predrilled with box and door panel</p>	

<p align="center"><b>Twin Waste Bin</b></p>	
<p>Description: Pull-out trash can hardware, include two plastic trash can. Side mount glides</p>	
<p>Specified for BTC18-BOX; Install position holes are predrilled with box and door panel</p>	
<p><b>PC18XX PULLOUT TRAY</b></p>	
<p>Description: Pantry pull-out tray</p>	
<p>Two packages as one item. Should remove the fix shelf when install. 6 layers rack. 1820mm height. Specified for PC1884, PC1890 and PC1896.</p>	
<p><b>PC24XX PULLOUT TRAY</b></p>	
<p>Description: Pantry pull-out tray</p> <p>Two packages as one item. Should remove the fix shelf when install. 6 layers rack. 1820mm height. Specified for PC2484, PC2490 and PC2496.</p>	

## 6 Package

- RTA products have **BOX**, **DOORS**, **HARDWARE** 3 type of package individually. Goldenhome promises every item is well packed and applies appropriate protection. However, the product could be damaged by improper ways of transporting, stocking and even unpacking.

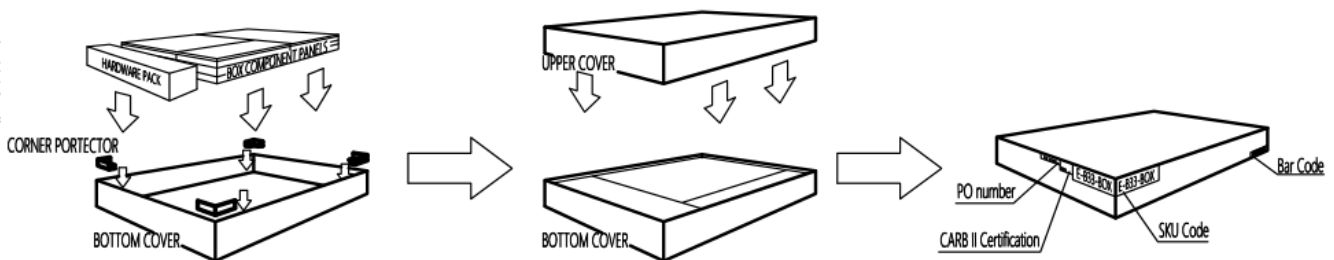
### -BOX

Box packages includes:

-All **panels** for cabinet construction. Include drawer back & bottom panels.

-The **HARDWARE PACK**

1. One set of **assembly instruction** of the corresponding cabinet model.
2. The **construction hardware**. Dowel, cam-lock, screws.
3. The **hinges** of all related models, The adjustable ABS feet for base & pantry.
4. Other small hardware. Stickers, Shelf support, bumpers etc.



The following items are **NOT** included in box package:

- Door fronts.
- Screws for locking cabinets on wall on connecting together.
- Drawer mechanism.
- Other functional hardware E.g.: Lazy-Susan racks; Pull-out racks; Lift-up supports.

### -DOOR

-In **DOOR** package you will find:

**Door panels of corresponding cabinet only.**

Door SKU package can be sometimes relatively small. We group pack several minimum SKU units into one. The number is usually 6. It could be 3 when totally weight is too large. When the Door/Panel SKU is large enough itself (for example, REF9624<sup>3/4</sup>). It won't be group packed, just be one.

The door SKU also includes the matching door material items, such as End Panel Filler and Toe Kick (8')





**-FUNCTIONAL HARDWARE**

-Functional hardware are separately packed.

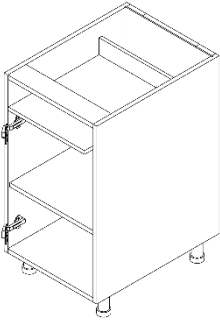
Hinges and ABS feet, they are functional hardware too. We count them as special exceptions. Beside them the most used functional hardware is drawer hardware, and lift-up door supports, Lazy-Susan tray, Trash Cans. They packed with the same logic of door SKU, sometimes group pack after single pack, sometimes single packed.

**-MOQ**

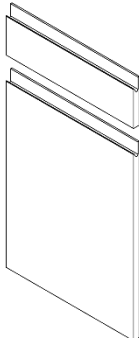
-MOQ is short for “minimum order quantity” even through the SKU is the minimum unit of our product, sometimes the order quantity should fit the requirement of package.

**To pick up a complete cabinet from stock, you need to have checked 3 parts.**

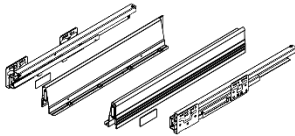
- 1.Box package**
- 2.Door package**
- 3.Functional hardware package**



**E-B18-BOX**



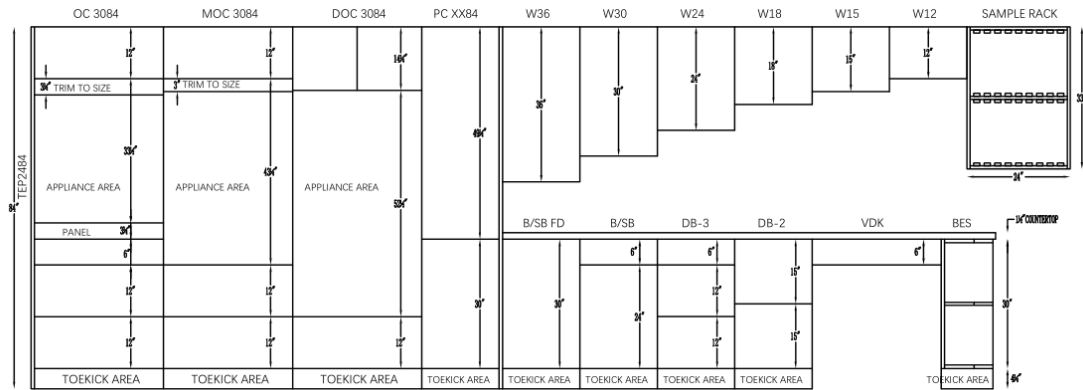
**LW-B18-F-R**



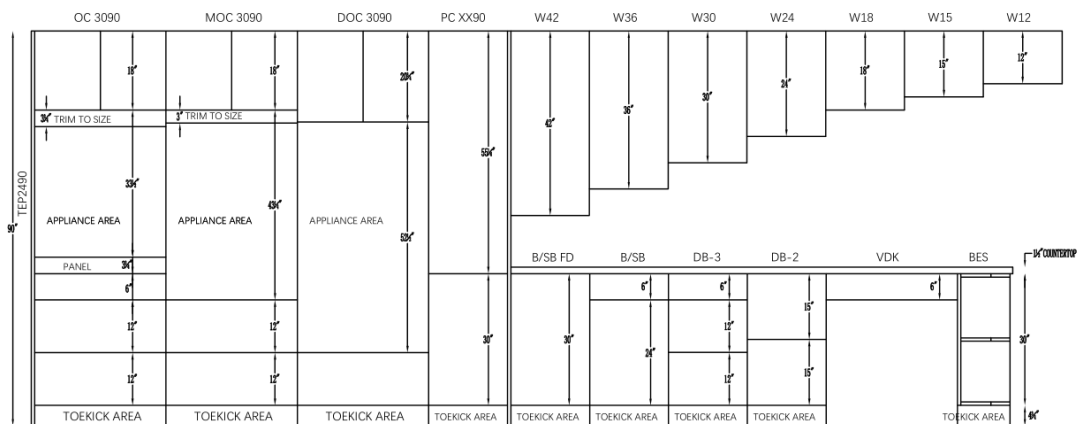
**DTC N Drawer**

# 7 Application

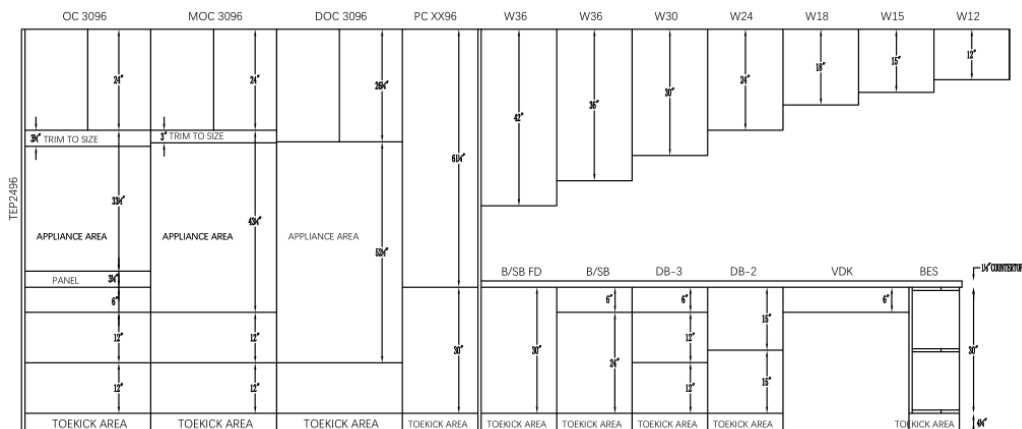
CABINET DIMENSIONS  
84" HEIGHT APPLICATION  
NUMBER AFTER WALL CABINET REFER TO HEIGHT OF CABINET



CABINET DIMENSIONS  
90" HEIGHT APPLICATION  
NUMBER AFTER WALL CABINET REFER TO HEIGHT OF CABINET



CABINET DIMENSIONS  
96" HEIGHT APPLICATION  
NUMBER AFTER WALL CABINET REFER TO HEIGHT OF CABINET



**-Making a pick-up list from a drawing**

A pick-up list connects the Design/Drawing and the Stock system. The design could be made by 2D/2D, AutoCAD

**-The door SKU interchanges regulations**

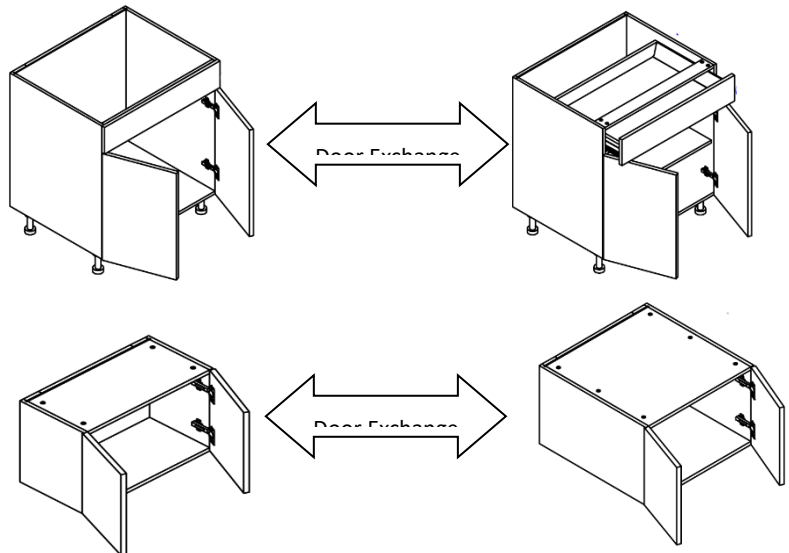
**1. One to One and Two-in-One.**

-One to One

Most simply exchange rule. You can tell the identity by the size and open direction of doors. Yes, they can be exchange with each other.

E.g.

B series and SB series have identical doors.  
W3615 and W361524 have identical doors.



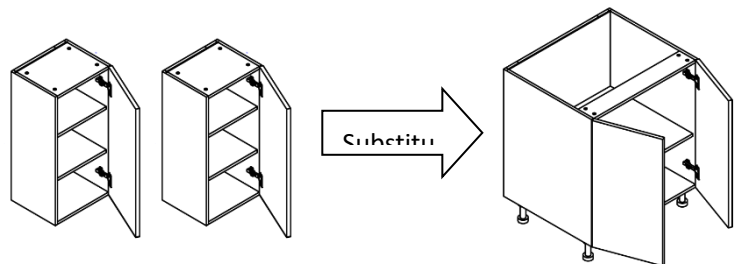
-Two-in-One:

In some situation we could put two SKUs in one to match one cabinet. Thanks to the merit of frame-less structure we could do simply math to divide a double open cabinet into two equal size single open doors.

Attention: for the base cabinet ONLY the full door type could we use the "Two-in-one" rule.

E.g:

exchange B30FD-F with 2 doors of B15FD-F;  
exchange B36FD-F with 2 doors of B18FD-F.  
exchange W3642-F with 2 doors of W1842-F

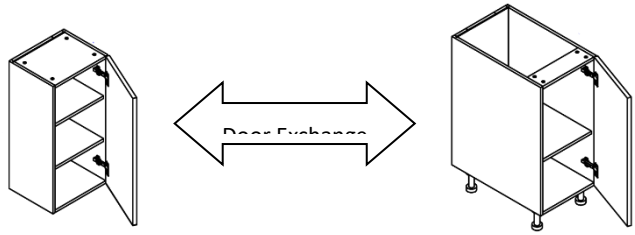


**2. Interchange wall doors with base doors.**

- Wall to BFD rule:

Wall cabinet doors can be exchange with identical front size FULL HEIGHT DOOR type base cabinet. Of course, you need to choose the door of same width and 30" height wall cabinet doors.

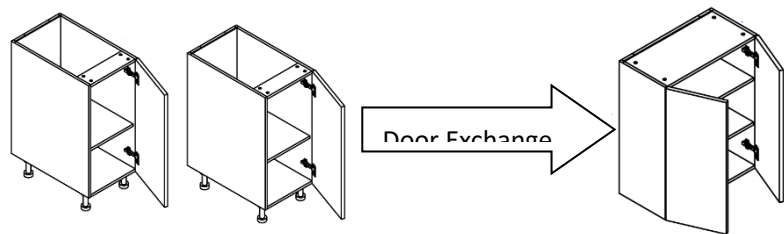
E.g:  
 B30FD-W3030 can exchange doors to each other.



-Wall to BFD two-in-one rule:

Just like the two-in-one rule above. We collect two equal divided doors into one double open cabinet front and then apply the Wall to BFD rule. ALSO, the rule only be applied on 30" height wall cabinet doors.

E.g.  
 exchange W3030-F with two B15FD-F,  
 exchange W3630-F with two B18FD-F.

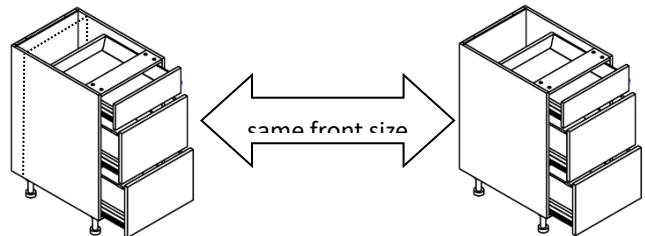


### 3. Interchange Vanity doors with base doors.

Goldenhome vanity series doors are identical with standard kitchen cabinet doors of corresponding size.

F

E.g.  
 exchange VB15-F with B15-F;  
 exchange VDB12-3-F with DB12-3-F;  
 exchange VSB30-F with SB30-F

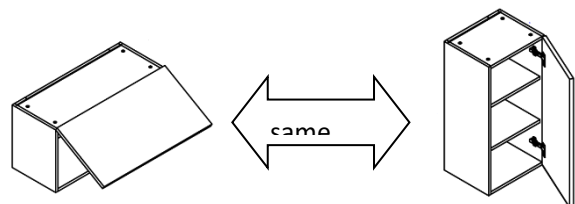


备注 WBC

### 4. The situation we don't suggest to exchange.

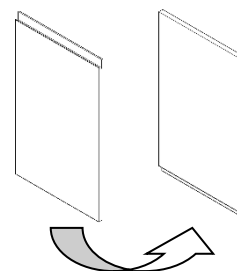
Some SKUs share the same dimension of shape. Still you need to think twice of exchange them. All doors have their exclusive drill information. If you have to exchange with them (because short of stock), be aware of the risk and get ready for the additional drilling work.

E.g:  
 WSL3015-F has identical size with B15FD-F/W1530-F;  
 WBF3630-F has identical size with W1536-F/W3036-F;  
 BSR09-F has identical size with W0930/B09FD;



**\*Attention: LW/LG, are different. The direction of wall doors and base doors are reversed and because of the finger-pull handle, we need differentiate the opening direction of doors.**

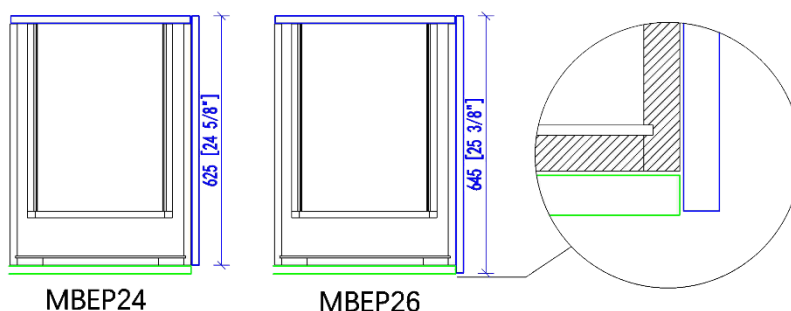
Living example: **LW-B12FD-F-R** interchange with **LW-W1230-F-L**.



**-The application of REF9634<sup>3/4</sup> for island/peninsula back**

-REF 9634<sup>3/4</sup> is usually used as back cover panel for island/peninsula. In most cases the panel need to be cut into custom size.

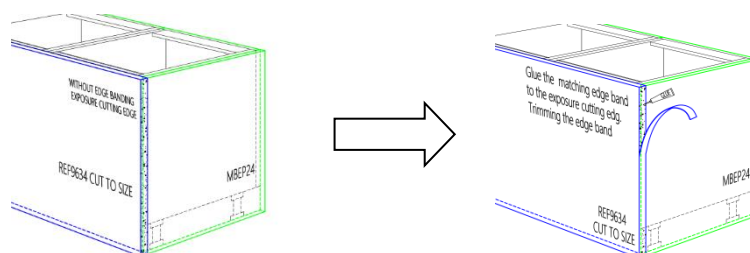
Now we have new SKU, MBEP26, covers the cutting edge of back panel. Whenever there is no MBEP26 in stock, we introduce several ways dealing with the cutting edge.



**1. Finish the edge banding manually**

We provide matching color edge band for different styles. Use glue (contact adhesive) sticking the panel and the PVC edge band together. Trim off the extra edge band after the glue is dried.

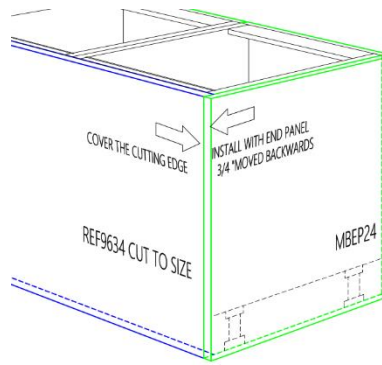
*\*Lacquer White style cannot apply this method.*



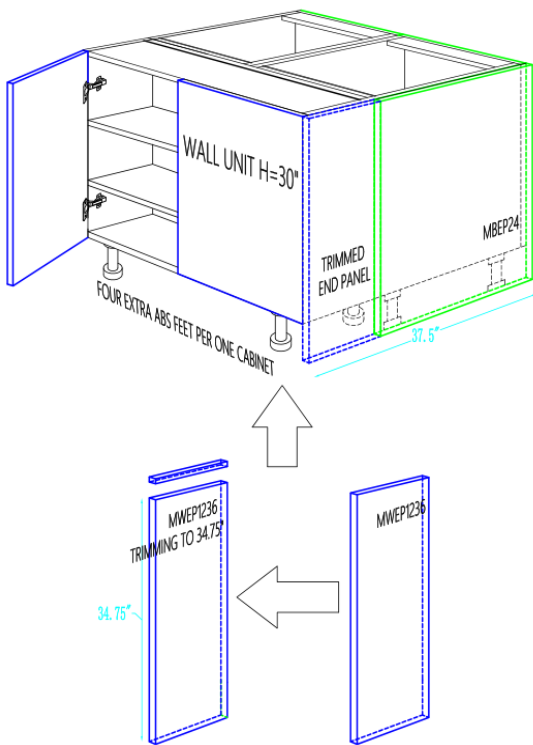
**2. Cover the back, no the front.**

Move the end panel 3/4” backwards when installing, to cover the cutting edge of REF panel.

A little “stair” appears in front of the island through, all edges are covered with matching color. It’s the easiest way too.



**-Build a shallow base cabinet with wall units.**

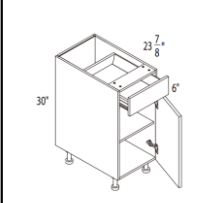
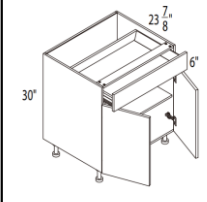
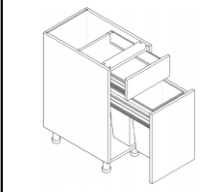
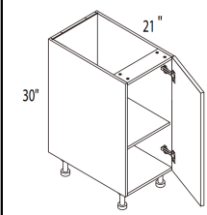
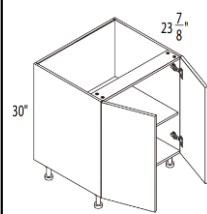
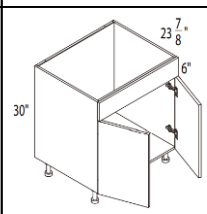


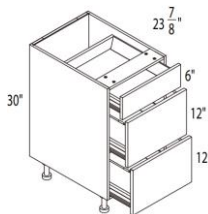
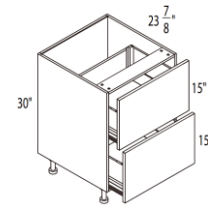
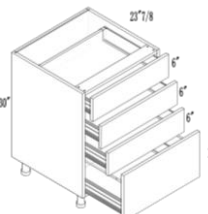
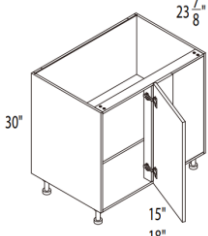
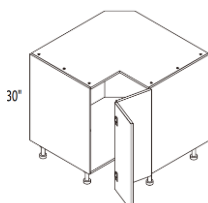
Put 30" height wall cabinets back to back to base cabinets. You will have an Island of 36" depth (without door). You will need to have extra ABS feet and install them manually. Also there is not a typical End Panel SKU for this design. The best substitution is MWE1236, you need to trim it for 1.5" for matching size. You can also use MWE1230 to build a floating island design.

**A new SKU of MBEP36/SBEP36 is used for double-base-island end panel design.**

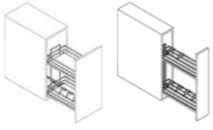
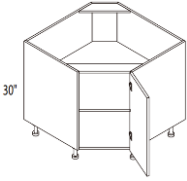
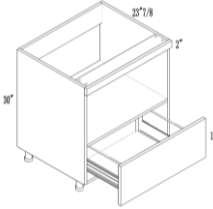
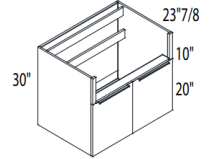
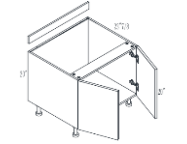
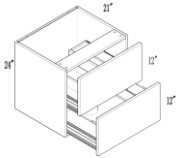
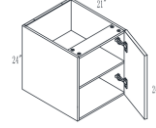
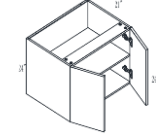
# 8. Appendix

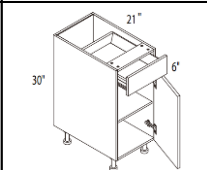
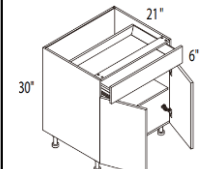
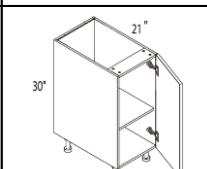
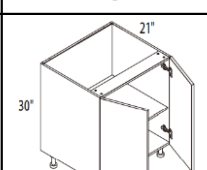
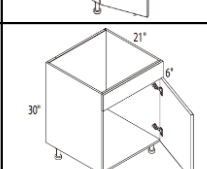
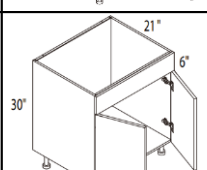
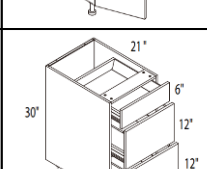
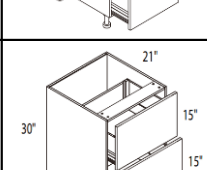
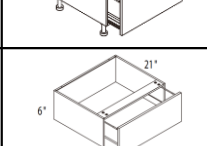
## 8.1 SKU instruction sheet for S-series and E-series.

SKU INSTRUCTION							
Universal for E-series & S-series							
NO.	ITEM	Drawing	SKU	W	D	H	Description
<b>1、 Base Cabinets</b>							
1.1	Base cabinet Single Door		B12	12	23 7/8	30	Regular base cabinet, single door style, with one drawer of 6" height above. can fit both way doors one adjustable shelf
			B15	15	23 7/8	30	
			B18	18	23 7/8	30	
			B21	21	23 7/8	30	
			B24	24	23 7/8	30	
1.2	Base cabinet Double Doors		B24DD	24	23 7/8	30	Regular base cabinet, double open door style, with one drawer of 6" height above. one adjustable shelf
			B27	27	23 7/8	30	
			B30	30	23 7/8	30	
			B33	33	23 7/8	30	
			B36	36	23 7/8	30	
1.3	Base Trash Can Cabient		BTC18	18	23 7/8	30	Regular base cabinet design for trash can hardware, pre-drills on side panel and back of door panel.
1.4	Base cabinet full door style		B09FD	9	23 7/8	30	Full height door style base cabinet, single door style, can fit both way doors one adjustable shelf
			B12FD	12	23 7/8	30	
			B15FD	15	23 7/8	30	
			B18FD	18	23 7/8	30	
			B21FD	21	23 7/8	30	
1.5	Base cabinet full door style		B24FDD	24	23 7/8	30	Full height door style base cabinet, double door style one adjustable shelf
			B27FD	27	23 7/8	30	
			B30FD	30	23 7/8	30	
			B33FD	33	23 7/8	30	
			B36fD	36	23 7/8	30	
1.6	Sink Base cabinet		SB30	30	23 7/8	30	Full height door style sink base cabinet, Double door style 1 fake drawer front of 6" height above no shelf
			SB33	30	23 7/8	30	
			SB36	36	23 7/8	30	
			SB39	39	23 7/8	30	
			SB42	42	23 7/8	30	

NO.	ITEM	Drawing	SKU	W	D	H	Description
1.7	Drawers Base cabinet with 3 drawers		DB12-3	12	23 $\frac{7}{8}$	30	Drawer hardware packed individually drawer height segment as 1:2:2
			DB15-3	15	23 $\frac{7}{8}$	30	
			DB18-3	18	23 $\frac{7}{8}$	30	
			DB21-3	21	23 $\frac{7}{8}$	30	
			DB24-3	24	23 $\frac{7}{8}$	30	
			DB27-3	27	23 $\frac{7}{8}$	30	
			DB30-3	30	23 $\frac{7}{8}$	30	
			DB33-3	33	23 $\frac{7}{8}$	30	
1.8	Drawers Base cabinet with 2 drawers		DB12-2	12	23 $\frac{7}{8}$	30	Drawer hardware packed individually drawer height segment as 1:1
			DB15-2	15	23 $\frac{7}{8}$	30	
			DB18-2	18	23 $\frac{7}{8}$	30	
			DB21-2	21	23 $\frac{7}{8}$	30	
			DB24-2	24	23 $\frac{7}{8}$	30	
			DB27-2	27	23 $\frac{7}{8}$	30	
			DB30-2	30	23 $\frac{7}{8}$	30	
			DB33-2	33	23 $\frac{7}{8}$	30	
1.9	Drawer Base Cabinet with 4 drawers		DB12-4	12	23 $\frac{7}{8}$	30	Drawer hardware packed individually drawer height segment as 1:1:1:2
			DB15-4	15	23 $\frac{7}{8}$	30	
			DB18-4	18	23 $\frac{7}{8}$	30	
			DB21-4	21	23 $\frac{7}{8}$	30	
			DB24-4	24	23 $\frac{7}{8}$	30	
			DB27-4	27	23 $\frac{7}{8}$	30	
			DB30-4	30	23 $\frac{7}{8}$	30	
			DB33-4	33	23 $\frac{7}{8}$	30	
1.10	Base Blind Corner cabinet		BBC36-45 (36+15door)	36	23 $\frac{7}{8}$	30	For blind corner design, can fit both way doors use special hinge Full height door style one adjustable shelf pull-out tray hardware packed individually
			BBC42-45 (42+18door)	42	23 $\frac{7}{8}$	30	
			BBC42-45N (42+18door)	42	23 $\frac{7}{8}$	30	
1.11	Base easy reach cabinet/ Base lazy susan cabinet		BER33/BLS33	33	23 $\frac{7}{8}$	30	hexagon shape corner base cabinet can fit both way doors Two full door connected use special hinge one adjustable shelf lazy susan hardware pack individually
			BER36/BLS36	36	23 $\frac{7}{8}$	31	

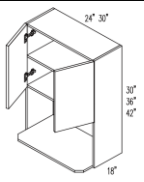
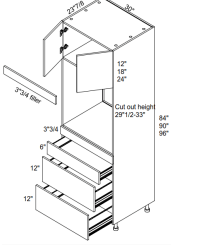
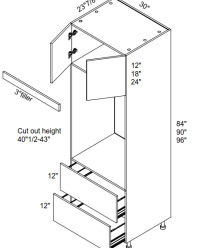
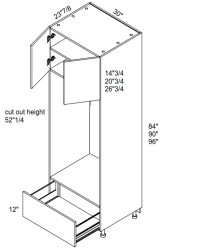
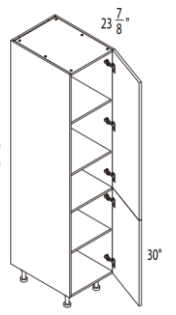
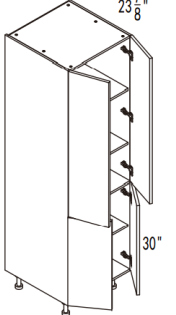


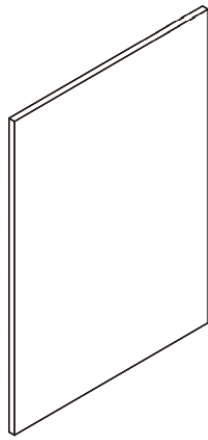
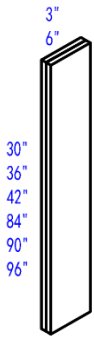
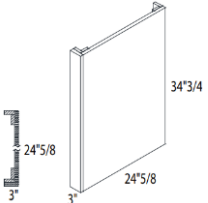


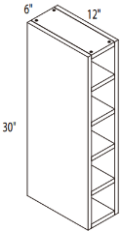
NO.	ITEM	Drawing	SKU	W	D	H	Description
1.12	Base spice rack cabinet		BSR06	6	23 $\frac{7}{8}$	30	assemble packed, spicy rack hardware with in box
			BSR09	9	23 $\frac{7}{8}$	30	
			BSR06N	6	23 $\frac{7}{8}$	30	
			BSR09N	9	23 $\frac{7}{8}$	30	
1.13	Diagonal corner sink base cabinet		DCSB36	36	36	30	Diagonal shape sink base cabinet, one full height door style, fit both way doors.
			DCSB42	42	42	30	
1.14	Base Microwave Cabinet		BMC24	24	23 $\frac{7}{8}$	30	1 Hdrawer below, 16" height appliance space above, 2" filler on top.
			BMC27	27	23 $\frac{7}{8}$	30	
			BMC30	30	23 $\frac{7}{8}$	30	
			BMC33	33	23 $\frac{7}{8}$	30	
			BMC36	36	23 $\frac{7}{8}$	30	
1.15	Apron Sink Base		ASB33	33	23 $\frac{7}{8}$	30	FarmSink style sink base, Full height side panel, double open style.
			ASB36	36	23 $\frac{7}{8}$	30	
1.16	Farm Sink Base		FSB30	30	23 $\frac{7}{8}$	20	FarmSink style sink base, 20" height box, double open style.
			FSB33	33	23 $\frac{7}{8}$	20	
			FSB36	36	23 $\frac{7}{8}$	20	
<b>2. Vanity Base Cabinets</b>							
2.1	Floating Vanity Drawer (Sink) Cabinet		FVD24	24	21	24	Floating style vanity cabinet, 21" depth and 24" height. 2*12" height drawers, W ≥ 24" FVDs are vanity sink friendly.
			FVD27	27	21	24	
			FVD30	30	21	24	
			FVD33	33	21	24	
			FVD36	36	21	24	
2.2	Floating Vanity Base cabinet		FVB12	12	21	24	Floating style vanity cabinet, 21" depth and 24" height. Single open style.
			FVB15	15	21	24	
			FVB18	18	21	24	
			FVB21	21	21	24	
2.3	Floating Vanity Base cabinet		FVB24DD	24	21	24	Floating style vanity cabinet, 21" depth and 24" height. double open style. Vanity sink friendly
			FVB30	30	21	24	
			FVB33	33	21	24	
			FVB36	36	21	24	

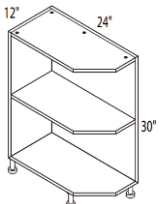
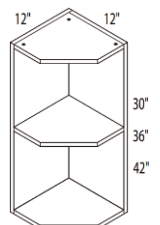
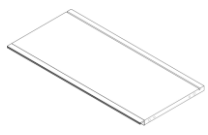

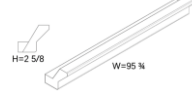
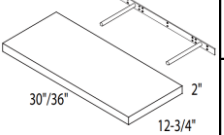

NO.	ITEM	Drawing	SKU	W	D	H	Description
2.4	Vanity base cabinet		VB15	15	21	30	Vanity base cabinet, single door style, with one drawer of 6" height above. can fit both way doors one adjustable shelf
			VB18	18	21	30	
			VB21	21	21	30	
			VB24	24	21	30	
2.5	Vanity base cabinet		VB24DD	24	21	30	Vanity base cabinet, double open door style, with one drawer of 6" height above. one adjustable shelf
			VB27	27	21	30	
			VB30	30	21	30	
			VB33	33	21	30	
			VB36	36	21	30	
2.6	Vanity full height door cabinet		VB15FD	15	21	30	Full height door style vanity cabinet, single door style
			VB18FD	18	21	30	
			VB21FD	21	21	30	
			VB24FD	24	21	30	
2.7	Vanity full height door cabinet		VB24FDD	24	21	30	Full height door style vanity cabinet, double door style
			VB27FD	27	21	30	
			VB30FD	30	21	30	
			VB33FD	33	21	30	
			VB36FD	36	21	30	
2.6	Vanity sink base cabinet		VSB24	24	21	30	Full height door style sink base cabinet, single door style 1 fake drawer front of 6" height above no shelf
2.7	Vanity sink base cabinet		VSB24DD	24	21	30	Full height door style sink base cabinet, double door style 1 fake drawer front of 6" height above no shelf
			VSB27	27	21	30	
			VSB30	30	21	30	
			VSB36	36	21	30	
2.8	Vanity drawer base cabinet		VDB12-3	12	21	30	Drawer hardware packed individually drawer height segment as 1:2:2
			VDB15-3	15	21	30	
			VDB18-3	18	21	30	
			VDB21-3	21	21	30	
			VDB24-3	24	21	30	
17	Vanity drawer base cabinet		VDB12-2	12	21	30	Drawer hardware packed individually drawer height segment as 1:1
			VDB15-2	15	21	30	
			VDB18-2	18	21	30	
			VDB21-2	21	21	30	
			VDB24-2	24	21	30	
18	Vanity knee drawer		VKD240621	24	21	6	Knee drawer cabinet. drawer hardware packed individually drawer front height 6"
			VKD300621	30	21	6	

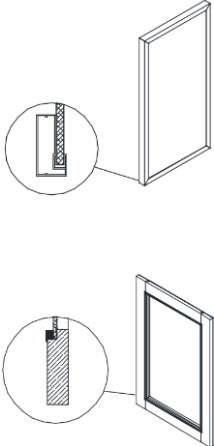
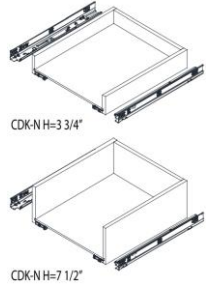
NO.	ITEM	Drawing	SKU	W	D	H	Description
<b>3. Wall cabinets</b>							
3.1	Wall cabinet		W0930	9	12	30	Single door style two adjustable shelves for 30" and 36" height cabinets three adjustable shelves for 42" height cabinets
			W0936	9	12	36	
			W0942	9	12	42	
			W1230	12	12	30	
			W1236	12	12	36	
			W1242	12	12	42	
			W1530	15	12	30	
			W1536	15	12	36	
			W1542	15	12	42	
			W1830	18	12	30	
			W1836	18	12	36	
			W1842	18	12	42	
			W2130	21	12	30	
			W2136	21	12	36	
			W2142	21	12	42	
			W2430	24	12	30	
W2436	24	12	36				
W2442	24	12	42				
3.2	Wall cabinet		W2430DD	24	12	30	Double open style two adjustable shelves two adjustable shelves for 30" and 36" height cabinets three adjustable shelves for 42" height cabinets
			W2436DD	24	12	36	
			W2442DD	24	12	42	
			W2730	27	12	30	
			W2736	27	12	36	
			W2742	27	12	42	
			W3030	30	12	30	
			W3036	30	12	36	
			W3042	30	12	42	
			W3330	33	12	30	
			W3336	33	12	36	
			W3342	33	12	42	
			W3630	36	12	30	
			W3636	36	12	36	
			W3642	36	12	42	
			3.3	Wall cabinet		W3012	
W3015	30	12				15	
W3018	30	12				18	
W3021	30	12				21	
W3024	30	12				24	
W3312	33	12				12	
W3315	33	12				15	
W3318	33	12				18	
W3321	33	12				21	
W3324	33	12				24	
W3612	36	12				12	
W3615	36	12				15	
W3618	36	12				18	
W3621	36	12				21	
W3624	36	12				24	



NO.	ITEM	Drawing	SKU	W	D	H	Description
3.10	Wall microwave cabinet		WM2430DD	24	12	30	double door style, all door panel material
			WM2436DD	24	12	36	
			WM2442DD	24	12	42	
			WM3030	30	12	30	
			WM3036	30	12	36	
			WM3042	30	12	42	
<b>4. Pantry cabinets</b>							
4.1	Oven cabinet		OC3084	30	23 $\frac{7}{8}$	84	lower segmentation is 3 drawer style as drawer base cabinet. drawer packed individually middle appliance cut height is 29"1/2 - 33" upper segmentation is double open style
			OC3090	30	23 $\frac{7}{8}$	90	
			OC3096	30	23 $\frac{7}{8}$	95 $\frac{3}{4}$	
4.2	Microwave-Oven cabinet		MOC3084	30	23 $\frac{7}{8}$	84	lower segmentation is 2 drawer 12" height equally drawer packed individually middle appliance cut height is 40"1/2 - 43" upper segmentation is double open style
			MOC3090	30	23 $\frac{7}{8}$	90	
			MOC3096	30	23 $\frac{7}{8}$	95 $\frac{3}{4}$	
4.3	Double oven cabinet		DOC3084	30	23 $\frac{7}{8}$	84	lower segmentation is one 12" height drawer. drawer packed individually middle appliance cut height is 52"1/2 upper segmentation is double open style
			DOC3090	30	23 $\frac{7}{8}$	90	
			DOC3096	30	23 $\frac{7}{8}$	95 $\frac{3}{4}$	
4.4	Pantry cabinet		PC1584	15	23 $\frac{7}{8}$	84	T door up and down arrangement with same direction can fit both way doors lower doors are as base full door height one fix shelf upper part has 3 or 4(96"height) shelves, lower part has one.
			PC1590	15	23 $\frac{7}{8}$	90	
			PC1596	15	23 $\frac{7}{8}$	95 $\frac{3}{4}$	
			PC1884	18	23 $\frac{7}{8}$	84	
			PC1890	18	23 $\frac{7}{8}$	90	
			PC1896	18	23 $\frac{7}{8}$	95 $\frac{3}{4}$	
			PC2484	24	23 $\frac{7}{8}$	84	
			PC2490	24	23 $\frac{7}{8}$	90	
4.5	Pantry cabinet		PC2484DD	24	23 $\frac{7}{8}$	84	Four doors 2 by 2 arrangement as double open style lower doors are as base full door height upper part has 3 or 4(96"height) shelves, lower part has one.
			PC2490DD	24	23 $\frac{7}{8}$	90	
			PC2496DD	24	23 $\frac{7}{8}$	95 $\frac{3}{4}$	
			PC3084	30	23 $\frac{7}{8}$	84	
			PC3090	30	23 $\frac{7}{8}$	90	
			PC3096	30	23 $\frac{7}{8}$	95 $\frac{3}{4}$	








NO.	ITEM	Drawing	SKU	W	D	H	Description
<b>5、 Décor parts</b>							
5.1	End panel		MWEP1230	12¾	30	¾	flat end decorative panel
			MWEP1236	12¾	36	¾	
			MWEP1242	12¾	42	¾	
			MBEP2124	21¾	24	¾	
			MBEP21	21¾	30	¾	
			MBEP24	24¾	34¾	¾	
			MBEP26	25½	34¾	¾	
			MBEP36	37½	34¾	¾	
			MBEP48	49¾	34¾	¾	
			TEP8424 3/4"	24¾	84	¾	
			TEP9024 3/4"	24¾	90	¾	
			REF9624 3/4"	24¾	95¾	¾	
TEP9634 3/4"	34¾	95¾	¾				
5.2	Filler		WF330	3	30	¾	Flat filler,packed with a box material sub-filler.
			WF336	3	36	¾	
			WF342	3	42	¾	
			TF384	3	84	¾	
			TF390	3	90	¾	
			TF396	3	95¾	¾	
			WF630	6	30	¾	
			WF636	6	36	¾	
			WF642	6	42	¾	
			TF684	6	84	¾	
			TF690	6	90	¾	
			TF696	6	95¾	¾	
5.3	Dish washer end panel		DWR3	3	34¾	24¾	Dish washer end panel reversible
5.4	Toe Kick		TK8	95¾	4¾	¾	Toe kick of door finish style
			TK8H	95¾	5	¾	
5.5	Light Rail		LR8	95¾	2	¾	Light rail of door finish style
5.6	Wine rack cabinet		WRC6	6	12	30	Wine rack shelf, door material, fixed shelves

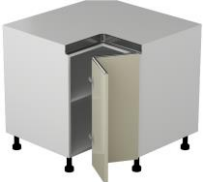




NO.	ITEM	Drawing	SKU	W	D	H	Description
5.7	Base end shelf		BES1230L/R	12	24	30	Base end open shelf style, door material, fixed shelf
5.8	Wall end shelf		WES1230	12	12	30	Wall end open shelf style, door material, fixed shelves
			WES1236	12	12	36	
			WES1242	12	12	42	
5.9	Wall cabinet bottom panel		WBP12	10½	12		wall cabinet bottom panel with built-in metal handle, replaceable for regular wall cabinet bottom panel
			WBP15	13½	12		
			WBP18	16½	12		
			WBP21	19½	12		
			WBP24	22½	12		
			WBP27	25½	12		
			WBP30	28½	12		
			WBP33	31½	12		
5.10	Wall cabinet bottom panel		C-S3024	28½	23¾		bottom panel with built-in metal handle. replaceable for 24 depth wall cabinet bottom panel
			C-S3324	31½	23¾		
			C-S3624	34½	23¾		
5.11	Crown Moulding		CM8	95¾	3	2⅝	Crown modeling, For WSK and GSK finish only.
5.12	Floating Shelf		FS30	30	2	12¾	Floating shelf kit, include a metal install rack and a 2" matching color shelf.
			FS36	36	2	12¾	
5.13	Roll Out Tray		ROT15				Roll-out-tray drawer box, packed with standard DTC drawer glides
			ROT18				
			ROT21				
			ROT24				
			ROT27				
			ROT30				
			ROT33				
			ROT36				


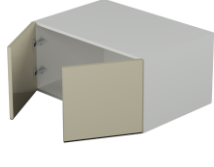


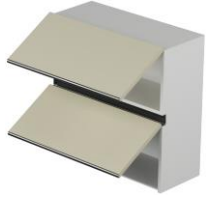
NO.	ITEM	Drawing	SKU	W	D	H	Description
5.14	Glass Door		WMD1230	12	30		Aluminum or wood framed glass door, the wood frame available for WSK and GSK only.
			WMD1530	15	30		
			WMD1830	18	30		
			WMD2130	21	30		
			WMD1236	12	36		
			WMD1536	15	36		
			WMD1836	18	36		
			WMD2136	21	36		
			WMD1242	12	42		
			WMD1542	15	42		
			WMD1842	18	42		
			WMD2142	21	42		
			WMD2730	27	30		
			WMD2736	27	36		
			WMD2742	27	42		
			WMD3330	33	30		
			WMD3336	33	36		
WMD3342	33	42					
5.15	Drawer Kit		CDK12N				melaminated plywood drawer box with bottom mounted drawer glide. Replacement for standard N drawer and H drawer.
			CDK12H				
			CDK15N				
			CDK15H				
			CDK18N				
			CDK18H				
			CDK21N				
			CDK21H				
			CDK24N				
			CDK24H				
			CDK30N				
			CDK30H				
			CDK36N				
			CDK36H				

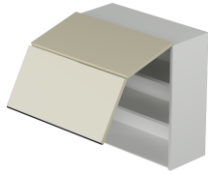
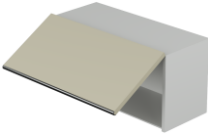










**8.2 SKU instruction sheet for C-Series.**






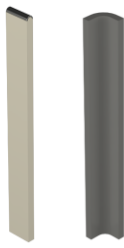
SKU INSTRUCTION							
For C-Series							
NO.	ITEM	Drawing	SKU	W	D	H	Description
<b>1.Base Cabinets</b>							
1.1	Base full door Cabinet		B12	12	23 $\frac{3}{8}$	30	Single full door cabinet. Box can fit both way doors Door direction is not reversible one adjustable shelf
			B15	15	23 $\frac{3}{8}$	30	
			B18	18	23 $\frac{3}{8}$	30	
			B21	21	23 $\frac{3}{8}$	30	
			B24	24	23 $\frac{3}{8}$	30	
1.2	Base full door Cabinet		B27	27	23 $\frac{3}{8}$	30	Double full door one adjustable shelf
			B30	30	23 $\frac{3}{8}$	30	
			B33	33	23 $\frac{3}{8}$	30	
			B36	36	23 $\frac{3}{8}$	30	
			B42	42	23 $\frac{3}{8}$	30	
1.3	Sink Base Cabinet		SB30	30	23 $\frac{3}{8}$	30	Double full door no shelf
			SB33	33	23 $\frac{3}{8}$	30	
			SB36	36	23 $\frac{3}{8}$	30	
			SB42	42	23 $\frac{3}{8}$	30	
1.4	Drawers Base Cabinet		DB12-3	12	23 $\frac{3}{8}$	30	Drawer hardware packed individually drawer height segment as 1:1:2
			DB15-3	15	23 $\frac{3}{8}$	30	
			DB18-3	18	23 $\frac{3}{8}$	30	
			DB21-3	21	23 $\frac{3}{8}$	30	
			DB24-3	24	23 $\frac{3}{8}$	30	
			DB27-3	27	23 $\frac{3}{8}$	30	
			DB30-3	30	23 $\frac{3}{8}$	30	
DB36-3	36	23 $\frac{3}{8}$	30				
1.5	Drawers Base Cabinet		DB24-2	24	23 $\frac{3}{8}$	30	Drawer hardware packed individually drawer height segment as 1:1
			DB27-2	27	23 $\frac{3}{8}$	30	
			DB30-2	30	23 $\frac{3}{8}$	30	
			DB36-2	36	23 $\frac{3}{8}$	30	
1.6	Base spice rack Cabinet		BSR09	9	23 $\frac{3}{8}$	30	assemble packed, price include spicity rack hardware
			BSR09N	9	23 $\frac{3}{8}$	30	
1.7	Base Blind Corner Cabinet		BBC36-42	36	23 $\frac{3}{8}$	30	Box can fit both way doors Door direction is not reversible one adjustable shelf
			BBC42-45	42	23 $\frac{3}{8}$	30	
			BBC42-45N	42	23 $\frac{3}{8}$	30	



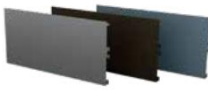
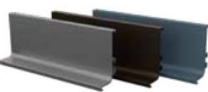

NO.	ITEM	Drawing	SKU	W	D	H	Description
1.8	Base easy reach Cabinet		BER33	33	23½	30	Box can fit both way doors Doors are not reversible one adjustable shelf Lazy Susan price not included
			BER36	36	23½	30	
1.9	Base full door Cabinet		B15S	15	10½	30	Single full door cabinet. Box can fit both way doors Doors are not reversible one adjustable shelf
			B18S	18	10½	30	
			B21S	21	10½	30	
			B24S	24	10½	30	
11	Base full door Cabinet		B27S	27	10½	30	Shallow base doors SKUs are as corresponding base cabinets
			B30S	30	10½	30	
			B33S	33	10½	30	
			B36S	36	10½	30	
<b>2.Wall Cabinet</b>							
2.1	Wall cabinet		W0930	9	12	30	Single door cabinet. Box can fit both way doors Doors are not reversible Doors cannot use on base cabinet 30", 36" height cabinets have 2 adjustable shelves 42" height ones have 3
			W0936	9	12	36	
			W0942	9	12	42	
			W1230	12	12	30	
			W1236	12	12	36	
			W1242	12	12	42	
			W1530	15	12	30	
			W1536	15	12	36	
			W1542	15	12	42	
			W1830	18	12	30	
			W1836	18	12	36	
			W1842	18	12	42	
			W2130	21	12	30	
			W2136	21	12	36	
			W2142	21	12	42	
			W2430	24	12	30	
W2436	24	12	36				
W2442	24	12	42				
2.2	Wall cabinet double door		W2730	27	12	30	Double open cabinet Doors cannot use on base cabinet 30", 36" height cabinets have 2 adjustable shelves 42" height ones have 3
			W2736	27	12	36	
			W2742	27	12	42	
			W3030	30	12	30	
			W3036	30	12	36	
			W3042	30	12	42	
			W3330	33	12	30	
			W3336	33	12	36	
			W3342	33	12	42	
			W3630	36	12	30	
			W3636	36	12	36	
			W3642	36	12	42	

NO.	ITEM	Drawing	SKU	W	D	H	Description
2.3	Wall cabinet double door		W3012	30	12	12	Double open cabinet 12",15",18" & 21" have no shelf 24" height cabinets have one shelf
			W3015	30	12	15	
			W3018	30	12	18	
			W3021	30	12	21	
			W3024	30	12	24	
			W3312	33	12	12	
			W3315	33	12	15	
			W3318	33	12	18	
			W3321	33	12	21	
			W3324	33	12	24	
			W3612	36	12	12	
			W3615	36	12	15	
			W3618	36	12	18	
			W3621	36	12	21	
W3624	36	12	24				
2.4	Wall cabinet for fridge		W301224	30	12	12	Double open cabinet 12",15",18" & 21" have no shelf 24" height cabinets have one shelf
			W301524	30	15	12	
			W301824	30	18	12	
			W302124	30	21	12	
			W302424	30	24	12	
			W361224	36	12	12	
			W361524	36	15	12	
			W361824	36	18	12	
			W362124	36	21	12	
W362424	36	24	12				
2.5	Wall blind corner cabinet		WBC3030	30	12	30	Blind corner wall cabinet. Box can fit both way doors Doors are not reversible two adjustable shelves
			WBC3036	30	12	36	
			WBC3042	30	12	42	
2.6	Wall easy reach cabinet		WER2430	24	12	30	Wall easy reach wall cabinet. Box can fit both way doors Doors are not reversible two adjustable shelves
			WER2436	24	12	36	
			WER2442	24	12	42	
2.7	Wall Double lift Cabinet		WDL2430	24	12	30	Blum Stay Lift hardware packed individually
			WDL2436	24	12	36	
			WDL2442	24	12	42	
			WDL3030	30	12	30	
			WDL3036	30	12	36	
			WDL3042	30	12	42	
			WDL3630	36	12	30	
			WDL3636	36	12	36	
WDL3642	36	12	42				

NO.	ITEM	Drawing	SKU	W	D	H	Description
2.8	Wall Bi - folding Cabinet		WBF2430	24	12	30	Blum Bi-Folder hardware packed individually
			WBF3030	30	12	30	
			WBF3630	36	12	30	
2.9	wall single lift cabinet		WSL2412	24	12	12	Blum Stay Lift hardware packed individually
			WSL2415	24	12	15	
			WSL2418	24	12	18	
			WSL2421	24	12	21	
			WSL2712	27	12	12	
			WSL2715	27	12	15	
			WSL2718	27	12	18	
			WSL2721	27	12	21	
			WSL3012	30	12	12	
			WSL3015	30	12	15	
			WSL3018	30	12	18	
			WSL3021	30	12	21	
			WSL3612	36	12	12	
			WSL3615	36	12	15	
			WSL3618	36	12	18	
WSL3621	36	12	21				
<b>3. Tall pantry cabinets</b>							
3.1	Oven tall cabinet		OC3084	30	23 $\frac{3}{8}$	84	Designed for single built-in oven appliance. Drawer price included, packed individually 2 D height drawers 1 upper adjustable shelf
			OC3090	30	23 $\frac{3}{8}$	90	
			OC3096	30	23 $\frac{3}{8}$	95 $\frac{3}{4}$	
3.2	Microwave oven tall cabinet		MOC3084	30	23 $\frac{3}{8}$	84	Designed for built-in microwave oven appliance. Drawer price included, packed individually 1 D height drawer, 1M height drawer 1 upper adjustable shelf
			MOC3090	30	23 $\frac{3}{8}$	90	
			MOC3096	30	23 $\frac{3}{8}$	95 $\frac{3}{4}$	

NO.	ITEM	Drawing	SKU	W	D	H	Description
3.3	Pantry cabinet		PC1584	15	23 $\frac{7}{8}$	84	Box can fit both way doors Doors are not reversible Lower doors are as base full door height 3+1 adjustable shelves
			PC1590	15	23 $\frac{7}{8}$	90	
			PC1596	15	23 $\frac{7}{8}$	95 $\frac{3}{4}$	
			PC1884	18	23 $\frac{7}{8}$	84	
			PC1890	18	23 $\frac{7}{8}$	90	
			PC1896	18	23 $\frac{7}{8}$	95 $\frac{3}{4}$	
			PC2484	24	23 $\frac{7}{8}$	84	
			PC2490	24	23 $\frac{7}{8}$	90	
			PC2496	24	23 $\frac{7}{8}$	95 $\frac{3}{4}$	
3.4	Pantry Cabinet		PC3084	30	23 $\frac{7}{8}$	84	Quadruple door style, lower door line up with base cabinet 3+1 adjustable shelves
			PC3090	30	23 $\frac{7}{8}$	90	
			PC3096	30	23 $\frac{7}{8}$	95 $\frac{3}{4}$	
<b>4. Vanities</b>							
4.1	Vanity Base Single Door		VB15	15	21	30	Single full door cabinet. Box can fit both way doors Door direction is not reversible one adjustable shelf
			VB18	18	21	30	
			VB21	21	21	30	
			VB24	24	21	30	
4.2	Vanity Base double door		VB27	27	21	30	Double full door one adjustable shelf
			VB30	30	21	30	
			VB33	33	21	30	
			VB36	36	21	30	
4.3	Vanity Drawer Base with 3 drawers		VDB12-3	12	21	30	Drawer hardware packed individually drawer height segment as 1:1:2
			VDB15-3	15	21	30	
			VDB18-3	18	21	30	
			VDB21-3	21	21	30	
			VDB24-3	24	21	30	
4.4	Vanity Drawer Base with 2 drawers		VDB12-2	12	21	30	Drawer hardware packed individually drawer height segment as 1:1
			VDB15-2	15	21	30	
			VDB18-2	18	21	30	
			VDB21-2	21	21	30	
			VDB24-2	24	21	30	

NO.	ITEM	Drawing	SKU	W	D	H	Description
4.5	Floating Vanity Drawer Base		FVD12	12	21	24	Floating style vanity cabinet, 21" depth and 24" height. 2*12" height drawers, W≥24" FVDs are vanity sink friendly.
			FVD15	15	21	24	
			FVD18	18	21	24	
			FVD21	21	21	24	
			FVD24	24	21	24	
			FVD27	27	21	24	
			FVD30	30	21	24	
			FVD33	33	21	24	
FVD36	36	21	24				
4.6	Floating Vanity Base Single Door		FVB12	12	21	24	Floating style vanity cabinet, 21" depth and 24" height. Single open style.
			FVB15	15	21	24	
			FVB18	18	21	24	
			FVB21	21	21	24	
FVB24	24	21	24				
4.7	Floating Vanity Base Double Door		FVB27	27	21	24	Floating style vanity cabinet, 21" depth and 24" height. double open style. Vanity sink friendly
			FVB30	30	21	24	
			FVB33	33	21	24	
			FVB36	36	21	24	
<b>5. Decoration Parts</b>							
5.1	End panel		BEP2430	24 <sup>3</sup> / <sub>4</sub>		30	flat end decorative panel
			WEP1215	12 <sup>7</sup> / <sub>8</sub>		15	
			WEP1218	12 <sup>7</sup> / <sub>8</sub>		18	
			WEP1230	12 <sup>7</sup> / <sub>8</sub>		30	
			WEP1236	12 <sup>7</sup> / <sub>8</sub>		36	
			WEP1242	12 <sup>7</sup> / <sub>8</sub>		42	
			REF2484	24 <sup>3</sup> / <sub>4</sub>		84	
			REF2490	24 <sup>3</sup> / <sub>4</sub>		90	
			REF2496	24 <sup>3</sup> / <sub>4</sub>		96	
5.2	Filler		WF330	3		30	flat filler
			WF630	6		30	
			BF330	3		30	
			BF630	6		30	
			WF336	3		36	
			WF636	6		36	
			TF390	3		90	
			TF690	6		90	
5.3	Filler with trim style		RF330	3		30	Special round filler for C2S
			BF330T	3		30	filler with handle or shape trim on top T for Trimmed For C3 style & C2S style only
			BF630T	6		30	
			WF330T	3		30	
			WF336T	3		36	
			W342T	3		42	
			WF630T	6		30	
			WF636T	6		36	
WF642T	6		42				

NO.	ITEM	Drawing	SKU	W	D	H	Description
5.4	Dishwasher end panel		DWR3	3	24¾	34¾	Dishwasher end panel
5.5	Thick end panel		TBEP24	3	24¾	30	Base thick end panel, not reversible
			TIEP36	3	36	30	Island thick end panel (base+shallow base), reversible
			TIEP50	3	49½	30	Island thick end panel (base+base), reversible
			TWEP1230	3	13	30	Wall thick end panel, not reversible
			TWEP1236	3	13	36	Wall thick end panel, not reversible
			TTEP84	3	24¾	79¼	Tall thick end panel, reversible
			TTEP90	3	24¾	85¼	
			TTEP96	3	24¾	91¼	
5.6	Toe Kick		A-TK10	118		4.75	Toe kick scribe, Metal material, 3 different finish. metal chanel for base cabinet A- for aluminum color, B- for black color, C- for chrome color
			B-TK10	118		4.75	
			C-TK10	118		4.75	
5.7	Handle for base cabinet		A-D11-A	118			metal chanel for base cabinet A- for aluminum color, B- for black color, C- for chrome color
			B-D11-A	118			
			C-D11-A	118			
5.8	Handle for base drawer		A-D11-B	118			
			B-D11-B	118			
			C-D11-B	118			

**E.N.D**

[Simon@goldenhomekitchen.com](mailto:Simon@goldenhomekitchen.com)

[Lincoln@goldenhomekitchen.com](mailto:Lincoln@goldenhomekitchen.com)