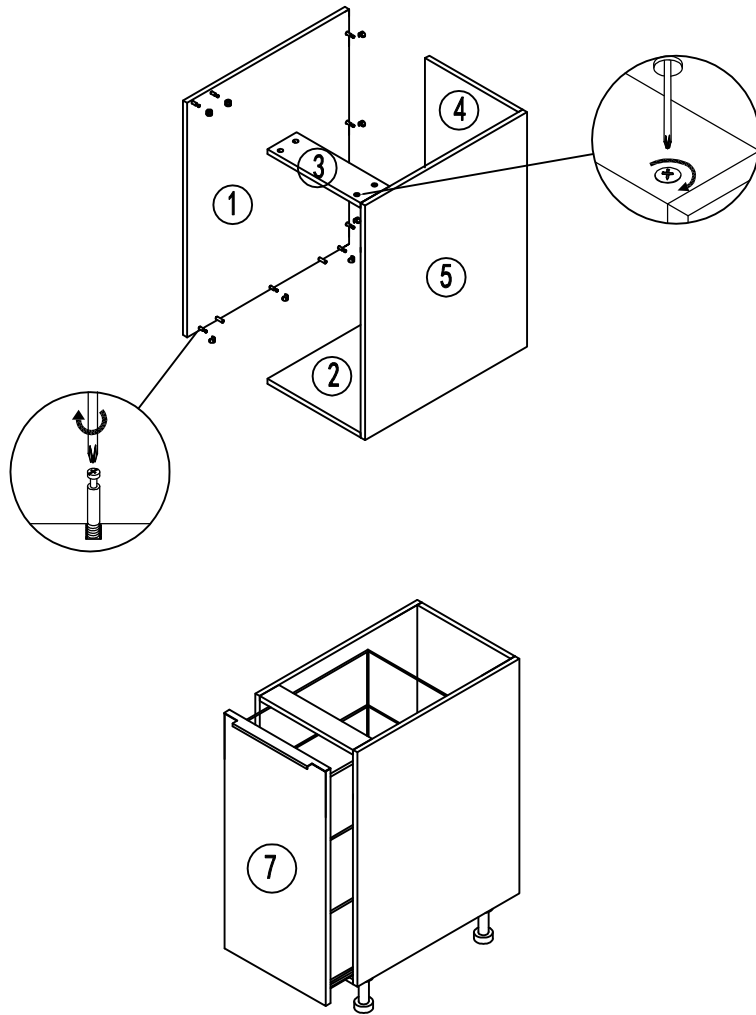


ASSEMBLY INSTRUCTION

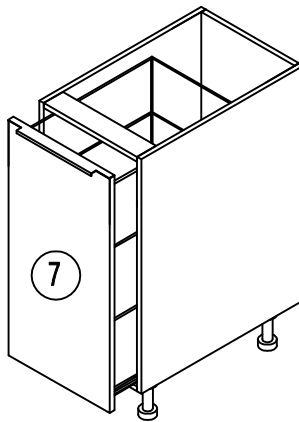
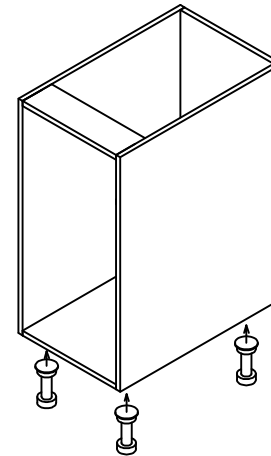
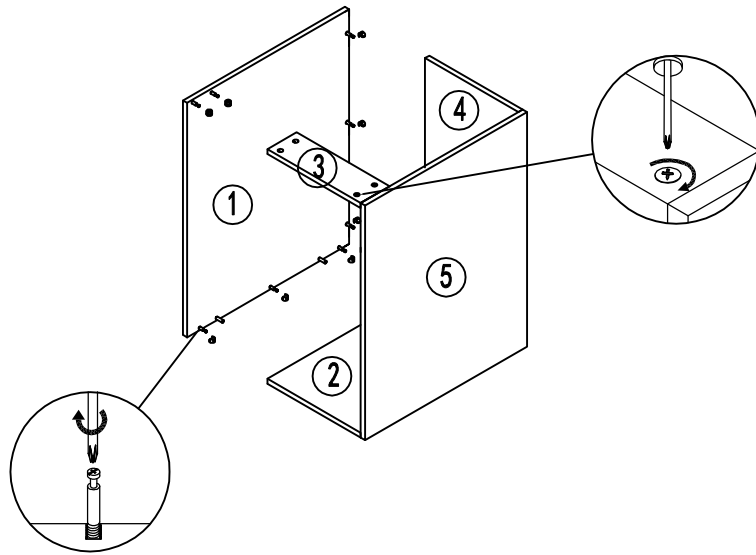
BSR06



BSR06					
PICTURE	ITEM	SPEC	QTY.		
	Cam lock	Ø15*13	16		
	Cam lock screw	Ø8*35	16		
	Dowel	Ø8*35	4		
	ABS Leg	4 3/4" ± 3/4"	4		
BOX					
Part	L	W	T	QTY.	
1	Left panel	30"	23 7/8"	3/4"	1
2	Bottom panel	23 3/8"	4 1/2"	3/4"	1
3	Panel	4 1/2"	4 1/8"	3/4"	1
4	Back panel	29 1/4"	4 1/2"	3/4"	1
5	Right panel	30"	23 7/8"	3/4"	1
				total	5
DOOR					
6	Door	5 7/8"	29 7/8"	3/4"	1

ASSEMBLY INSTRUCTION

BSR09



BSR09

PICTURE	ITEM	SPEC	QTY.
	Cam lock	Ø15*13	16
	Cam lock screw	Ø8*35	16
	Dowel	Ø8*35	4
	ABS Leg	4 3/4" ± 3/4"	4

BOX

Part	L	W	T	QTY.
1 Left panel	30"	23 7/8"	3/4"	1
2 Bottom panel	23 3/8"	7 1/2"	3/4"	1
3 Panel	7 1/2"	4 1/8"	3/4"	1
4 Back panel	29 1/4"	7 1/2"	3/4"	1
5 Right panel	30"	23 7/8"	3/4"	1

total 5

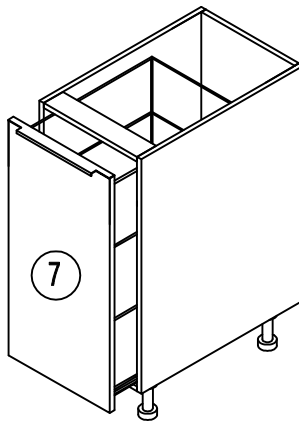
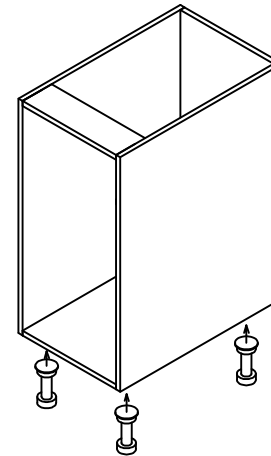
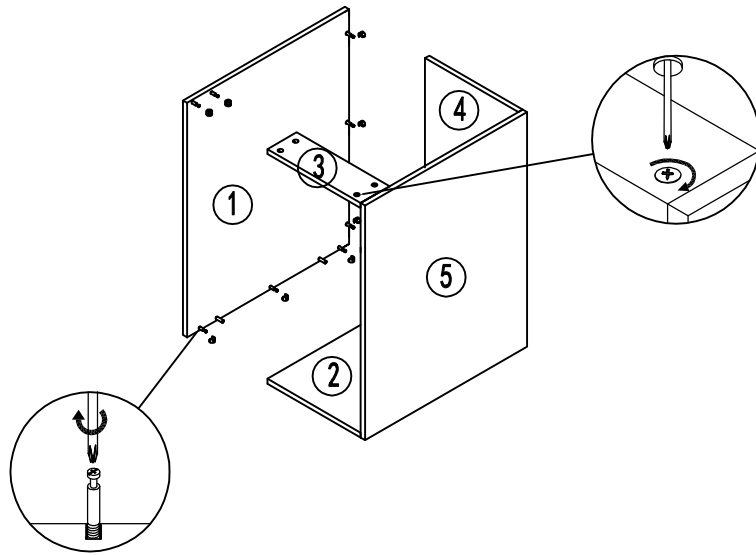
DOOR

6 Door	8 7/8"	29 7/8"	3/4"	1
--------	--------	---------	------	---

V 2.0

ASSEMBLY INSTRUCTION

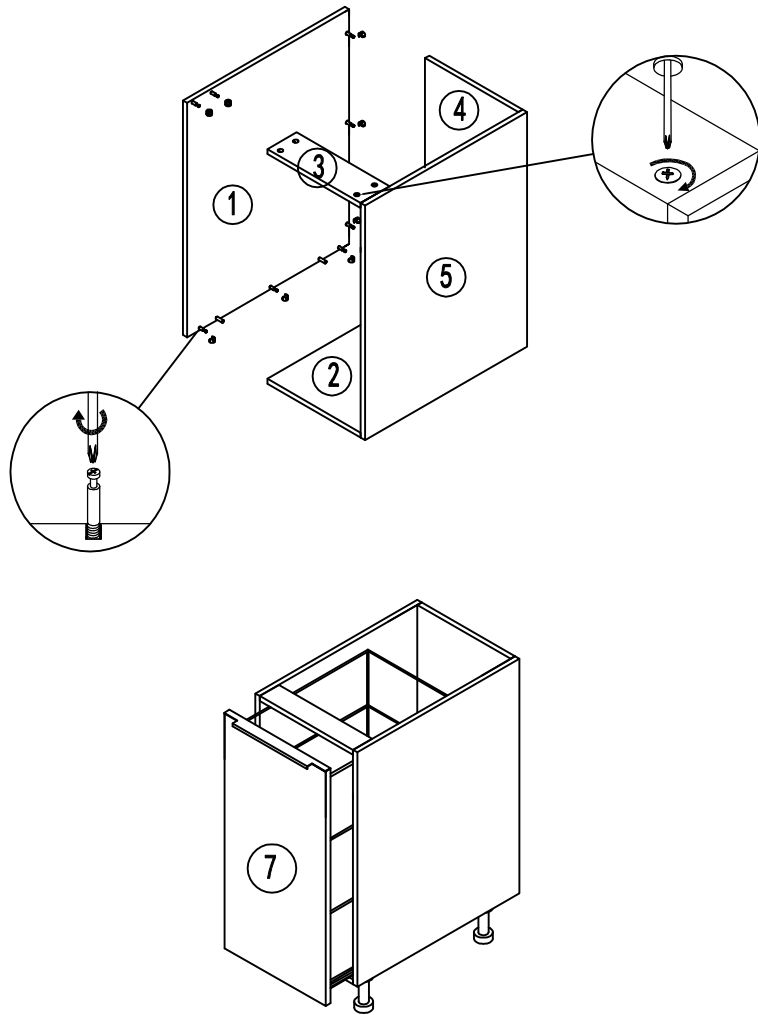
BSR06N



BSR06N					
PICTURE	ITEM	SPEC	QTY.		
	Cam lock	Ø15*13	16		
	Cam lock screw	Ø8*35	16		
	Dowel	Ø8*35	4		
	ABS Leg	4 3/4" ± 3/4"	4		
BOX					
Part	L	W	T	QTY.	
1	Left panel	30"	23 7/8"	3/4"	1
2	Bottom panel	23 3/8"	4 1/2"	3/4"	1
3	Panel	4 1/2"	4 1/8"	3/4"	1
4	Back panel	29 1/4"	4 1/2"	3/4"	1
5	Right panel	30"	23 7/8"	3/4"	1
total				5	
DOOR					
6	Door	5 7/8"	29 7/8"	3/4"	1

ASSEMBLY INSTRUCTION

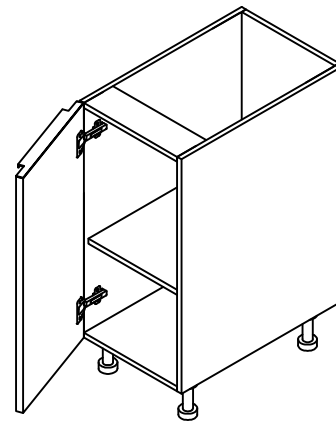
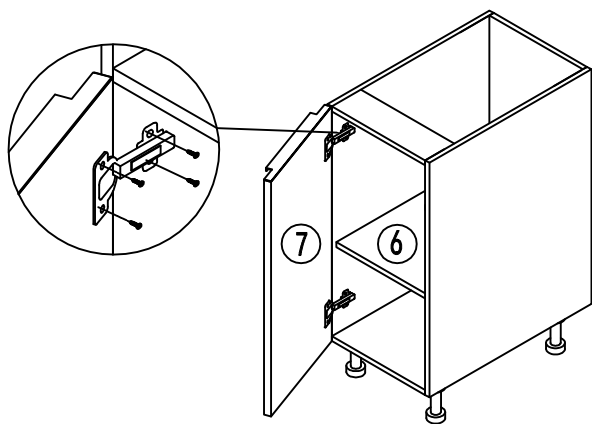
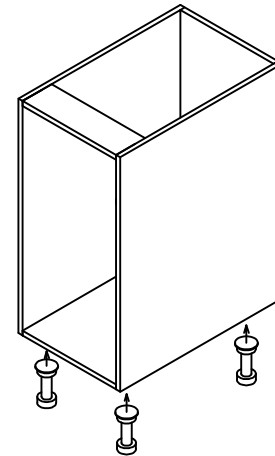
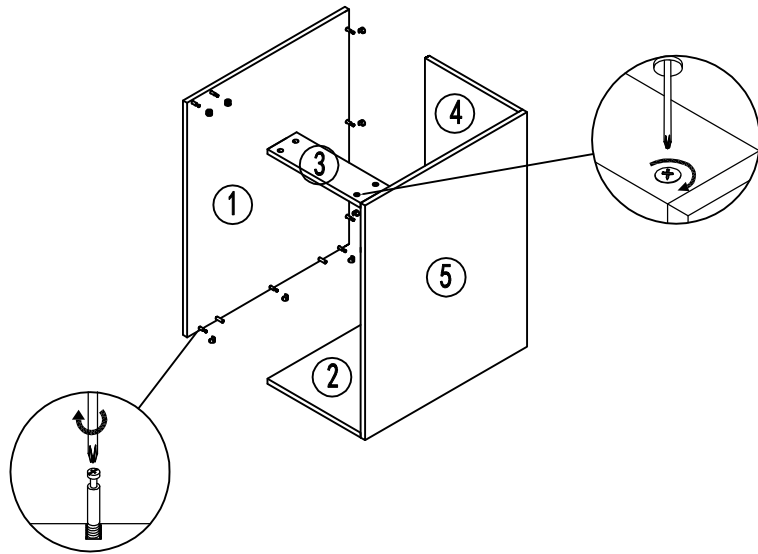
BSR09N



BSR09N					
PICTURE	ITEM	SPEC	QTY.		
	Cam lock	Ø15*13	16		
	Cam lock screw	Ø8*35	16		
	Dowel	Ø8*35	4		
	ABS Leg	4 3/4" ± 3/4"	4		
BOX					
Part	L	W	T	QTY.	
1	Left panel	30"	23 7/8"	3/4"	1
2	Bottom panel	23 3/8"	7 1/2"	3/4"	1
3	Panel	7 1/2"	4 1/8"	3/4"	1
4	Back panel	29 1/4"	7 1/2"	3/4"	1
5	Right panel	30"	23 7/8"	3/4"	1
total				5	
DOOR					
6	Door	8 7/8"	29 7/8"	3/4"	1

ASSEMBLY INSTRUCTION

B09FD



B09FD

PICTURE	ITEM	SPEC	QTY.
	Hinge	Damper hinges	2
	Cam lock	Ø15*13	16
	Cam lock screw	Ø8*35	16
	Dowel	Ø8*35	4
	Shelf support	Ø5	4
	ABS Leg	4 3/4" ±3/4"	4

BOX

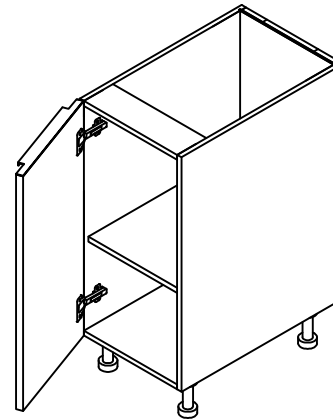
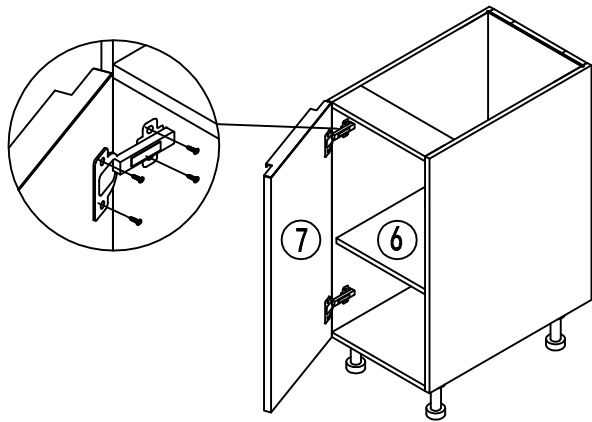
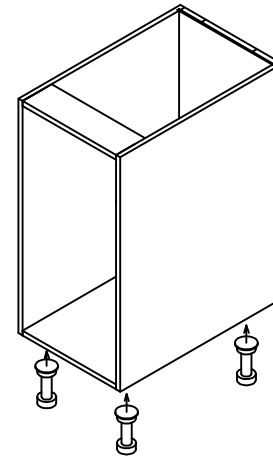
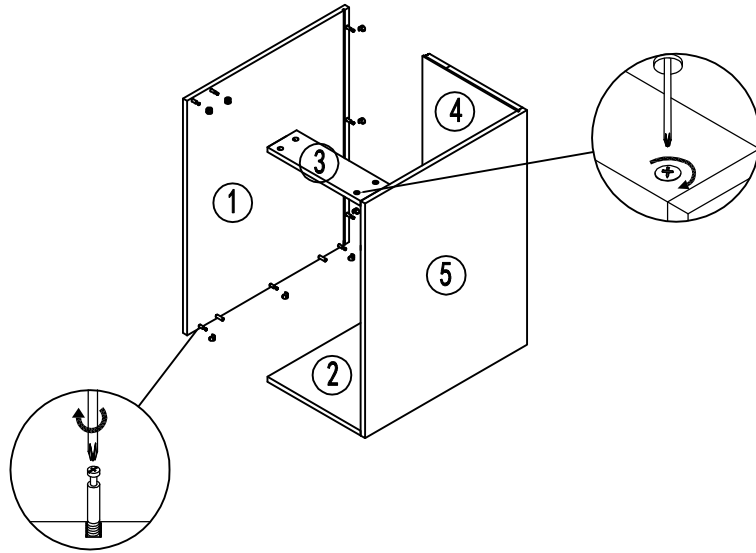
Part	L	W	T	QTY.
1 Left panel	30"	23 7/8"	3/4"	1
2 Bottom panel	23 3/8"	7 1/2"	3/4"	1
3 Panel	7 1/2"	4 1/8"	3/4"	1
4 Back panel	29 3/8"	7 7/8"	7/8"	1
5 Right panel	30"	23 7/8"	3/4"	1
6 Shelf	22 3/8"	7 1/2"	3/4"	1
				total 6

DOOR

9 Door	8 7/8"	29 7/8"	3/4"	1
--------	--------	---------	------	---

ASSEMBLY INSTRUCTION

B12FD



B12FD

PICTURE	ITEM	SPEC	QTY.
	Hinge	Damper hinges	2
	Cam lock	Ø15*13	16
	Cam lock screw	Ø8*35	16
	Dowel	Ø8*35	4
	Shelf support	Ø5	4
	ABS Leg	4 3/4" ±3/4"	4

BOX

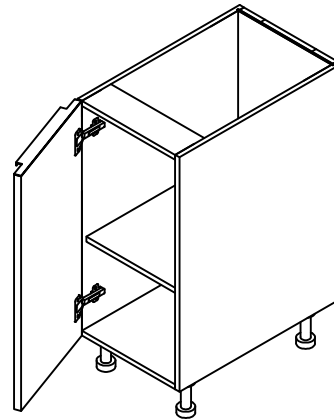
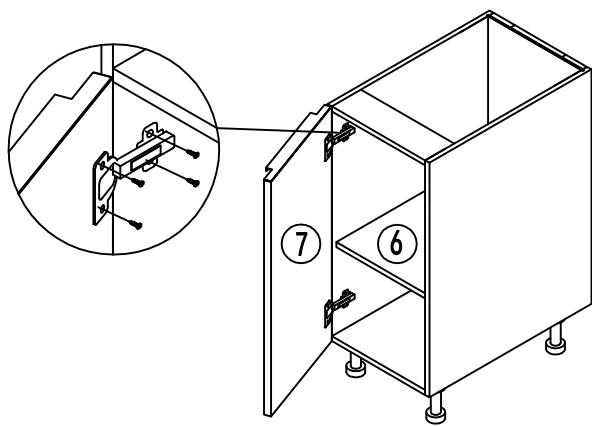
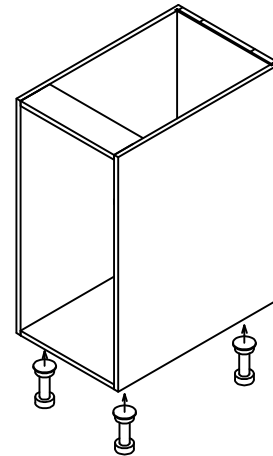
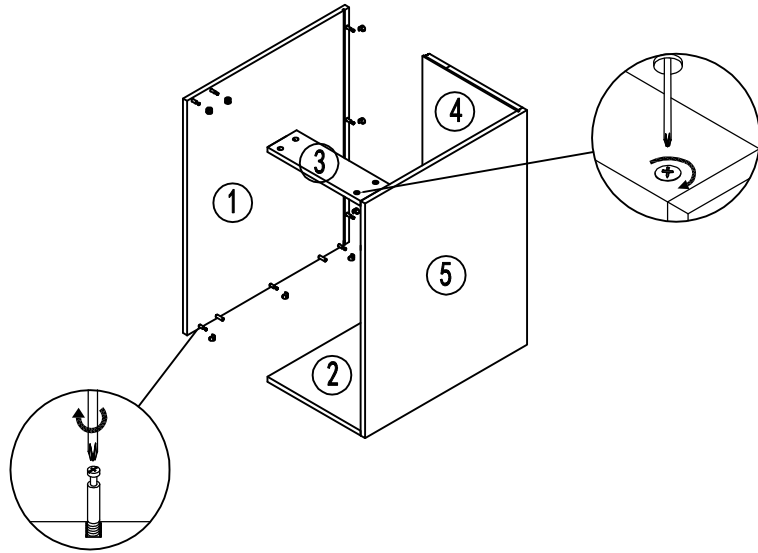
Part	L	W	T	QTY.
1 Left panel	30"	23 7/8"	3/4"	1
2 Bottom panel	23 3/8"	10 1/2"	3/4"	1
3 Panel	10 1/2"	4 1/8"	3/4"	1
4 Back panel	29 3/8"	10 7/8"	7/8"	1
5 Right panel	30"	23 7/8"	3/4"	1
6 Shelf	22 3/8"	10 1/2"	3/4"	1
total 6				

DOOR

9 Door	11 7/8"	29 7/8"	3/4"	1
--------	---------	---------	------	---

ASSEMBLY INSTRUCTION

B15FD



B15FD

PICTURE	ITEM	SPEC	QTY.
	Hinge	Damper hinges	2
	Cam lock	Ø15*13	16
	Cam lock screw	Ø8*35	16
	Dowel	Ø8*35	4
	Shelf support	Ø5	4
	ABS Leg	4 3/4" ±3/4"	4

BOX

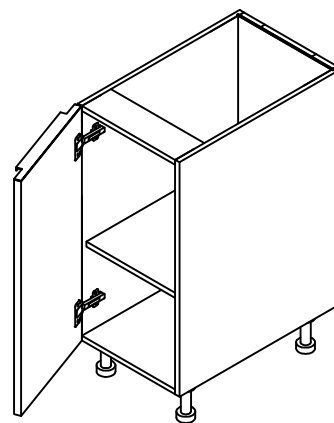
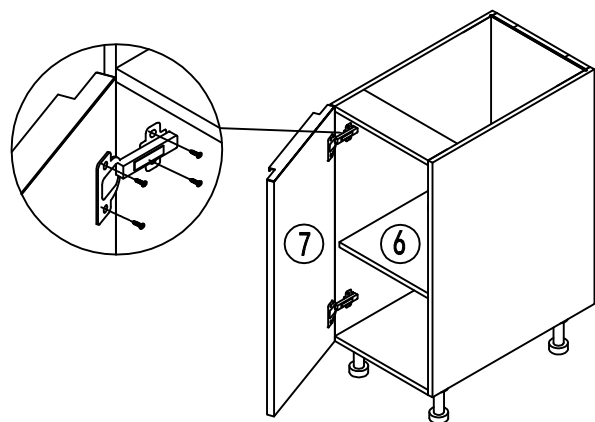
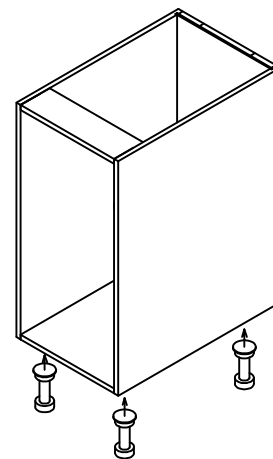
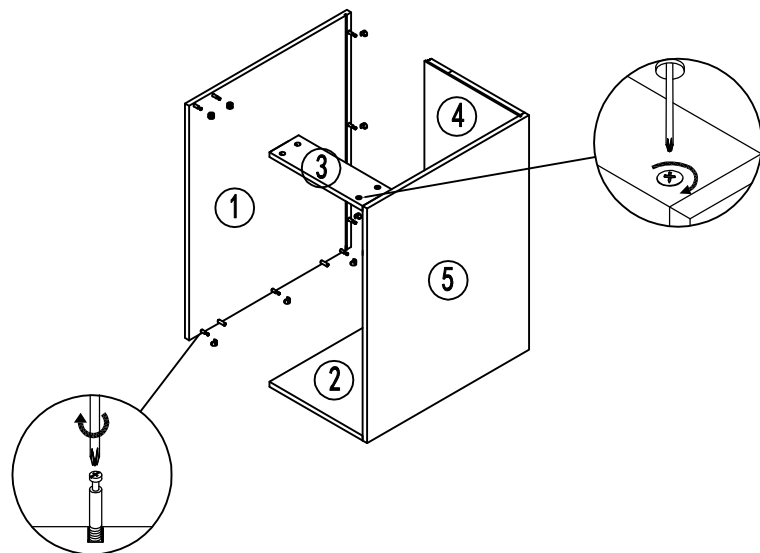
Part	L	W	T	QTY.
1 Left panel	30"	23 7/8"	3/4"	1
2 Bottom panel	23 3/8"	13 1/2"	3/4"	1
3 Panel	13 1/2"	4 1/8"	3/4"	1
4 Right panel	30"	23 7/8"	3/4"	1
5 Back panel	29 3/8"	13 7/8"	7/8"	1
6 Shelf	22 3/8"	13 1/2"	3/4"	1
total 6				

DOOR

7 Door	14 7/8"	29 7/8"	3/4"	1
--------	---------	---------	------	---

ASSEMBLY INSTRUCTION

B18FD



B18FD

PICTURE	ITEM	SPEC	QTY.
	Hinge	Damper hinges	2
	Cam lock	Ø15*13	16
	Cam lock screw	Ø8*35	16
	Dowel	Ø8*35	4
	Shelf support	Ø5	4
	ABS Leg	4 3/4" ±3/4"	4

BOX

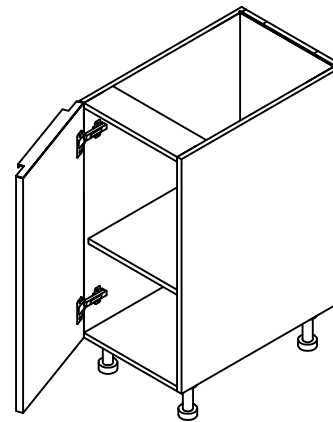
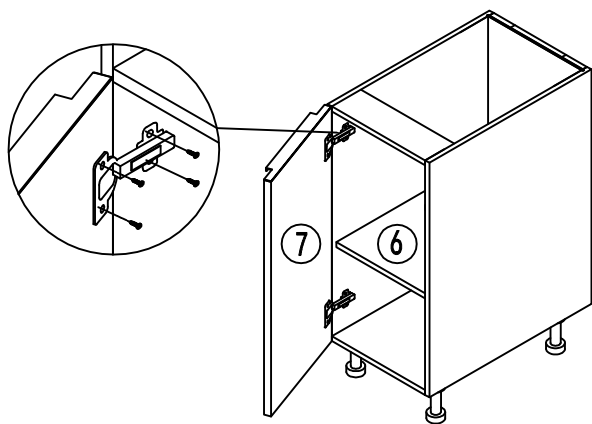
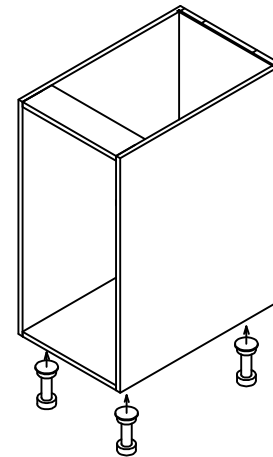
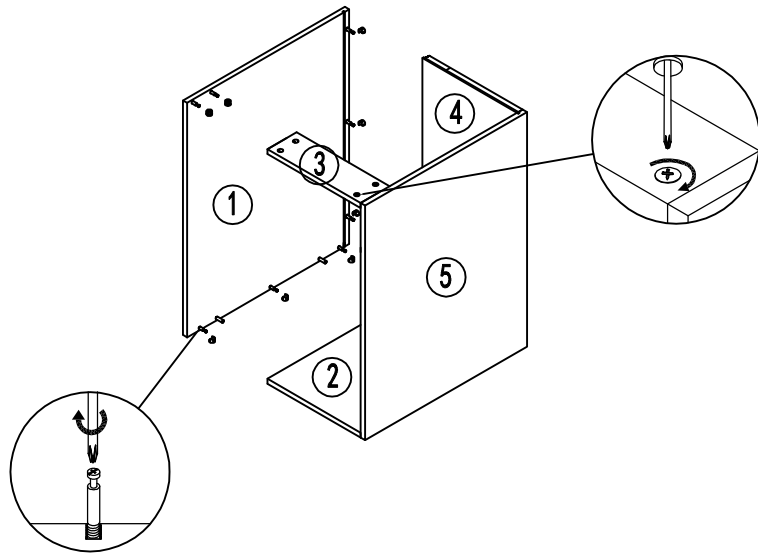
Part	L	W	T	QTY.
1 Left panel	30"	23 7/8"	3/4"	1
2 Bottom panel	30"	23 7/8"	3/4"	1
3 Panel	16 1/2"	4 1/2"	3/4"	1
4 Back panel	29 3/8"	16 7/8"	7/8"	1
5 Right panel	29 3/8"	17"	1/4"	1
6 Shelf	22 3/8"	16 1/2"	3/4"	1
				total 6

DOOR

7 Door	17 7/8"	29 7/8"	3/4"	1
--------	---------	---------	------	---

ASSEMBLY INSTRUCTION

B21FD



B21FD

PICTURE	ITEM	SPEC	QTY.
	Hinge	Damper hinges	2
	Cam lock	Ø15*13	16
	Cam lock screw	Ø8*35	16
	Dowel	Ø8*35	4
	Shelf support	Ø5	4
	ABS Leg	4 3/4" ±3/4"	4

BOX

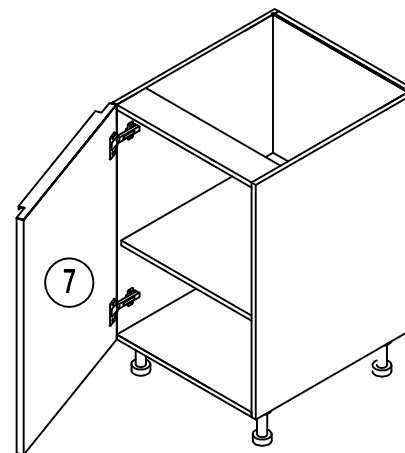
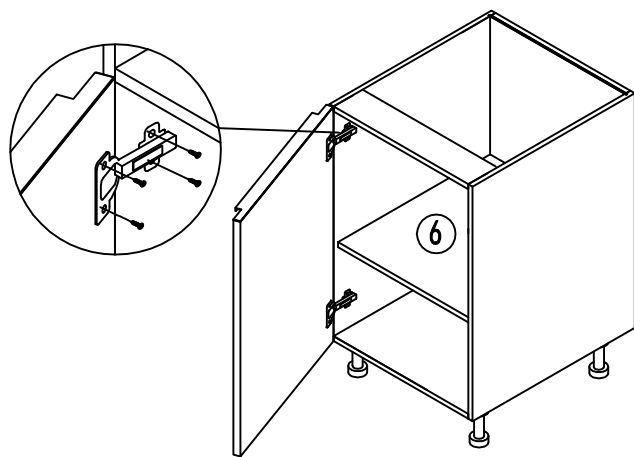
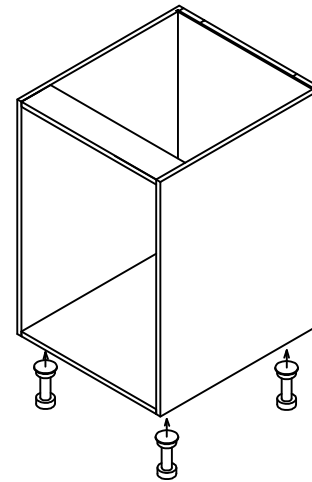
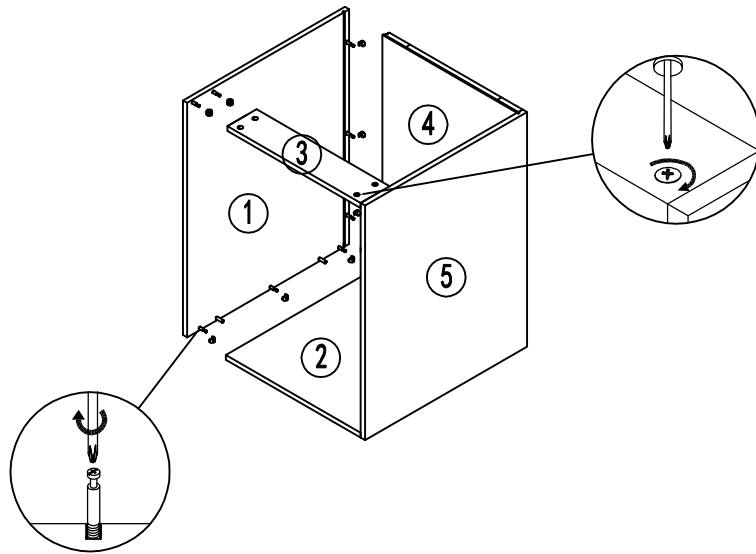
Part	L	W	T	QTY.
1 Left panel	30"	23 7/8"	3/4"	1
2 Bottom panel	23 3/8"	19 1/2"	3/4"	1
3 Panel	19 1/2"	4 1/8"	3/4"	1
4 Back panel	29 3/8"	19 7/8"	7/8"	1
5 Right panel	30"	23 7/8"	3/4"	1
6 Shelf	22 3/8"	19 1/2"	3/4"	1
				total 6

DOOR

7 Door	20 7/8"	29 7/8"	3/4"	1
--------	---------	---------	------	---

ASSEMBLY INSTRUCTION

B24FD



B24FD

PICTURE	ITEM	SPEC	QTY.
	Hinge	Damper hinges	2
	Cam lock	Ø15*13	16
	Cam lock screw	Ø8*35	16
	Dowel	Ø8*35	4
	Shelf support	Ø5	4
	ABS Leg	4 3/4" ±3/4"	4

BOX

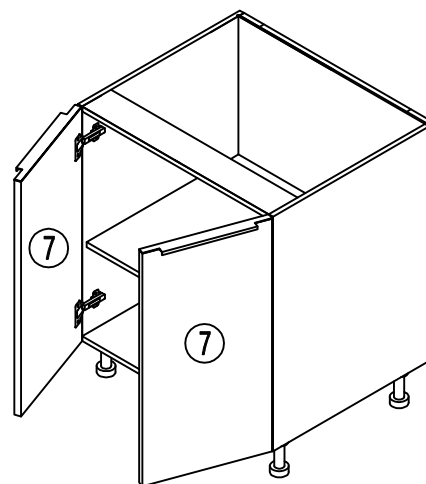
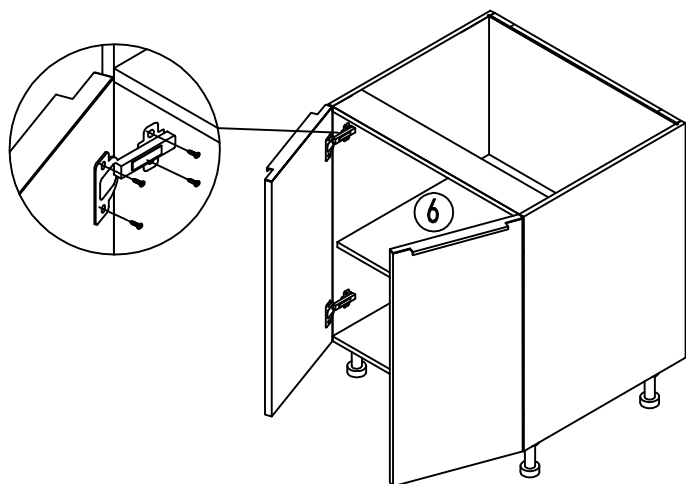
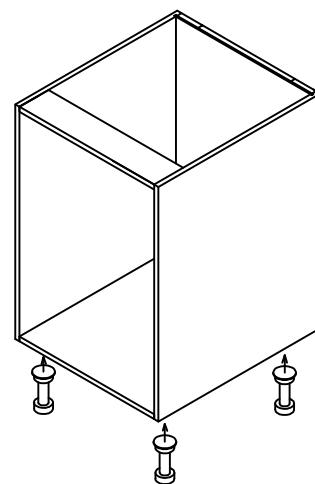
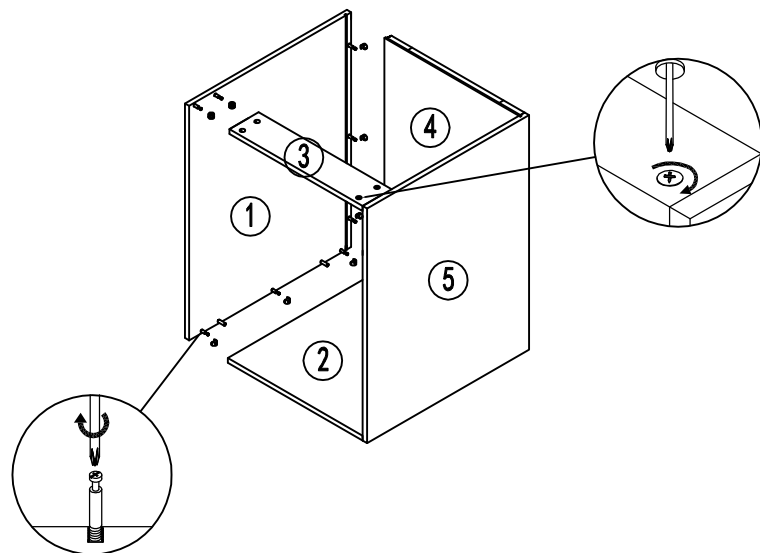
Part	L	W	T	QTY.
1 Left panel	30"	23 7/8"	3/4"	1
2 Bottom panel	23 3/8"	22 1/2"	3/4"	1
3 Panel	22 1/2"	4 1/8"	3/4"	1
4 Back panel	29 3/8"	22 7/8"	7/8"	1
5 Right panel	30"	23 7/8"	3/4"	1
6 Shelf	22 3/8"	22 1/2"	3/4"	1
				total 6

DOOR

7 Door	23 7/8"	29 7/8"	3/4"	1
--------	---------	---------	------	---

ASSEMBLY INSTRUCTION

B24FDD



B24FDD

PICTURE	ITEM	SPEC	QTY.
	Hinge	Damper hinges	4
	Cam lock	Ø15*13	16
	Cam lock screw	Ø8*35	16
	Dowel	Ø8*35	4
	Shelf support	Ø5	4
	ABS Leg	4 3/4" ±3/4"	4

BOX

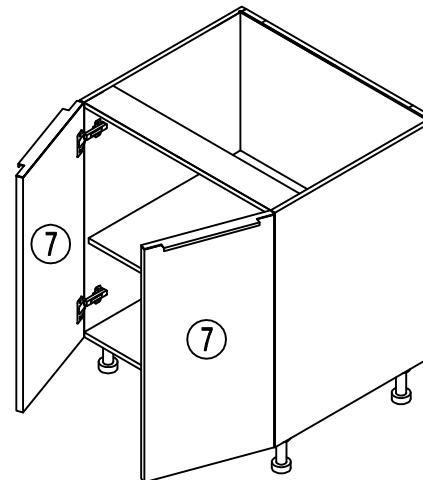
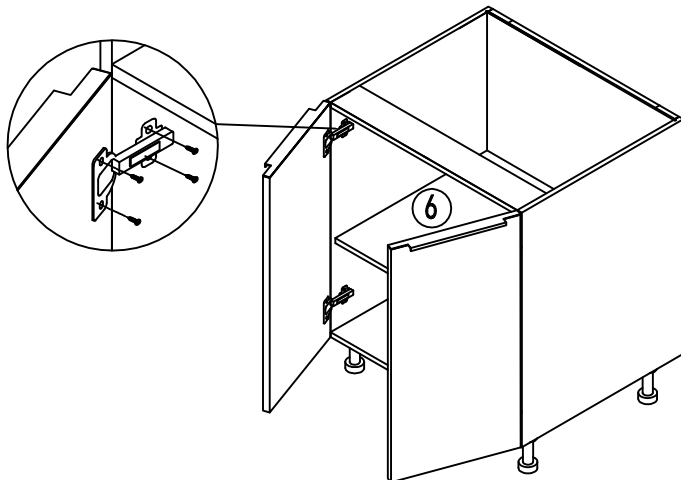
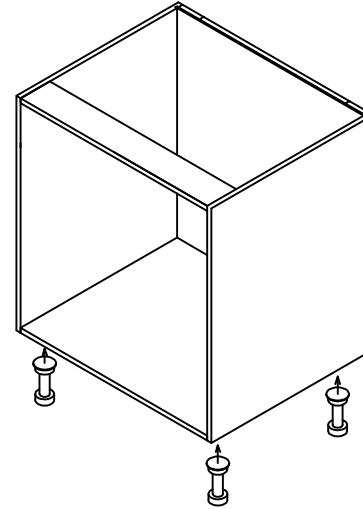
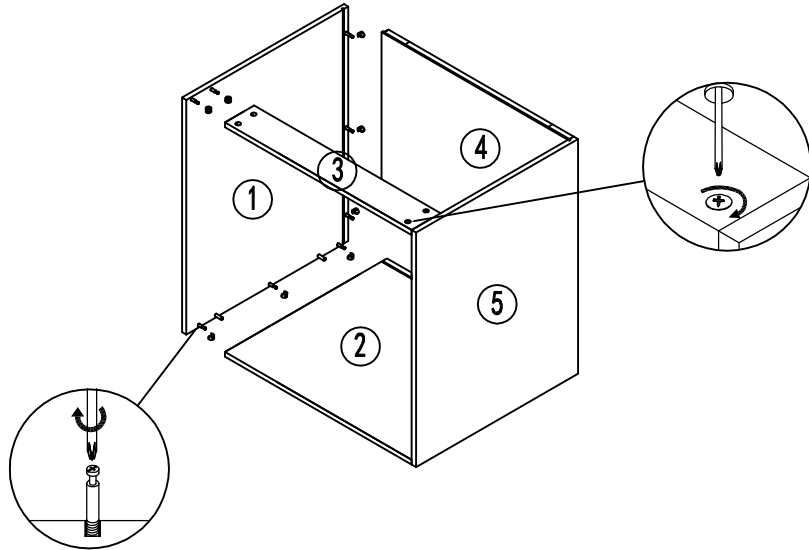
Part	L	W	T	QTY.
1 Left panel	30"	23 7/8"	3/4"	1
2 Bottom panel	23 3/8"	22 1/2"	3/4"	1
3 Panel	22 1/2"	4 1/8"	3/4"	1
4 Back panel	29 3/8"	22 7/8"	7/8"	1
5 Right panel	30"	23 7/8"	3/4"	1
6 Shelf	22 3/8"	22 1/2"	3/4"	1
				total 6

DOOR

7 Door	11 7/8"	29 7/8"	3/4"	2
--------	---------	---------	------	---

ASSEMBLY INSTRUCTION

B27FD



B27FD

PICTURE	ITEM	SPEC	QTY.
	Hinge	Damper hinges	4
	Cam lock	Ø15*13	16
	Cam lock screw	Ø8*35	16
	Dowel	Ø8*35	4
	Shelf support	Ø5	4
	ABS Leg	4 3/4" ±3/4"	4

BOX

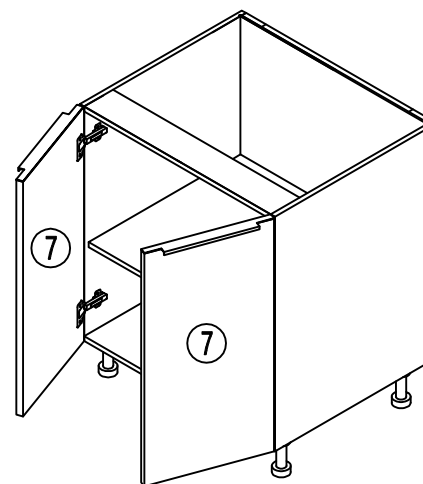
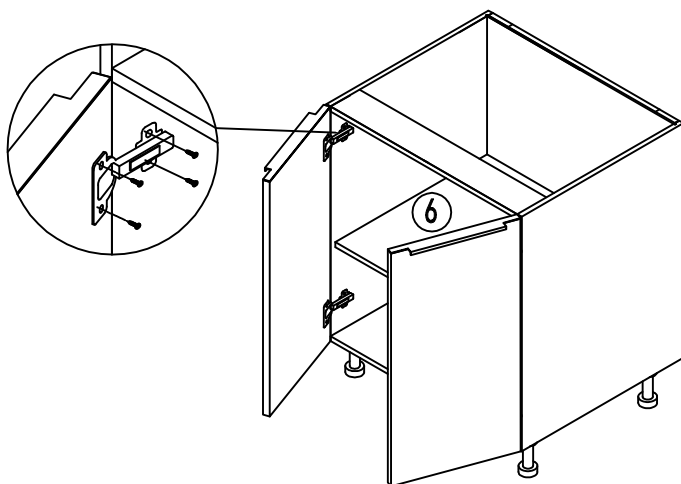
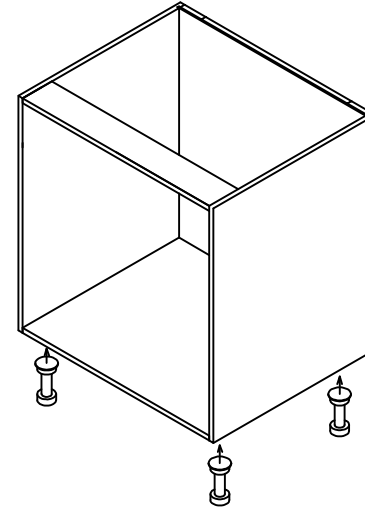
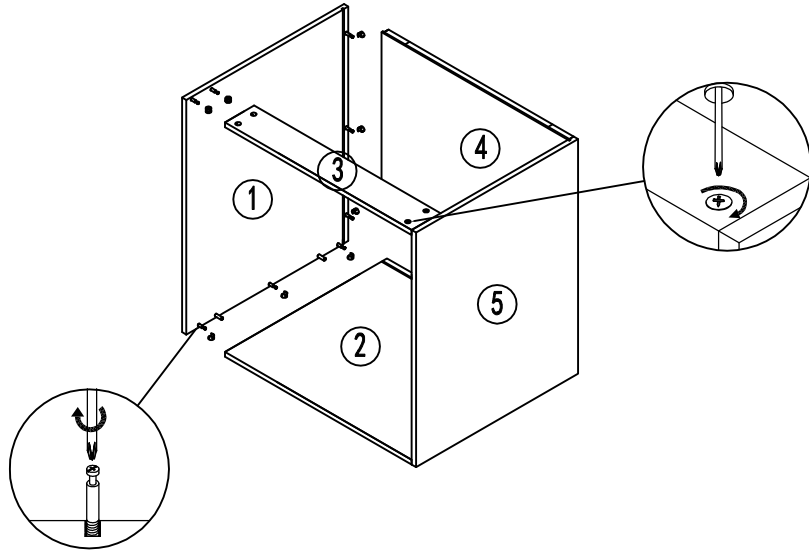
Part	L	W	T	QTY.
1 Left panel	30"	23 7/8"	3/4"	1
2 Bottom panel	23 3/8"	25 1/2"	3/4"	1
3 Panel	25 1/2"	4 1/8"	3/4"	1
4 Back panel	29 3/8"	25 3/8"	7/8"	1
5 Right panel	30"	23 7/8"	3/4"	1
6 Shelf	22 3/8"	25 1/2"	3/4"	1
				total 6

DOOR

7 Door	13 3/8"	29 7/8"	3/4"	2
--------	---------	---------	------	---

ASSEMBLY INSTRUCTION

B30FD



B30FD

PICTURE	ITEM	SPEC	QTY.
	Hinge	Damper hinges	4
	Cam lock	Ø15*13	16
	Cam lock screw	Ø8*35	16
	Dowel	Ø8*35	4
	Shelf support	Ø5	4
	ABS Leg	4 3/4" ±3/4"	4

BOX

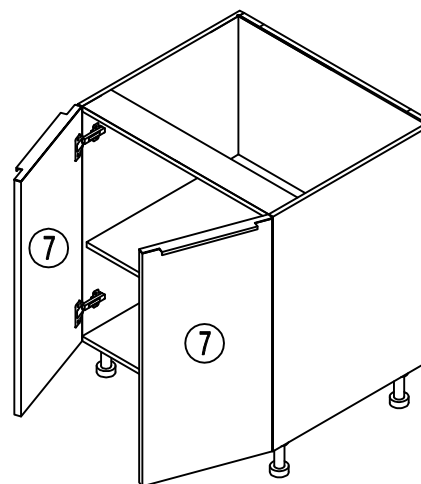
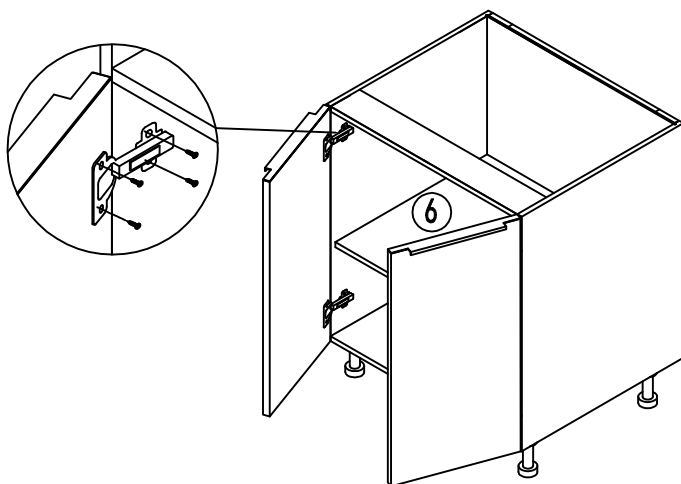
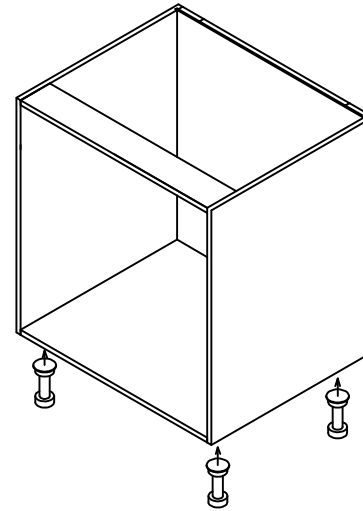
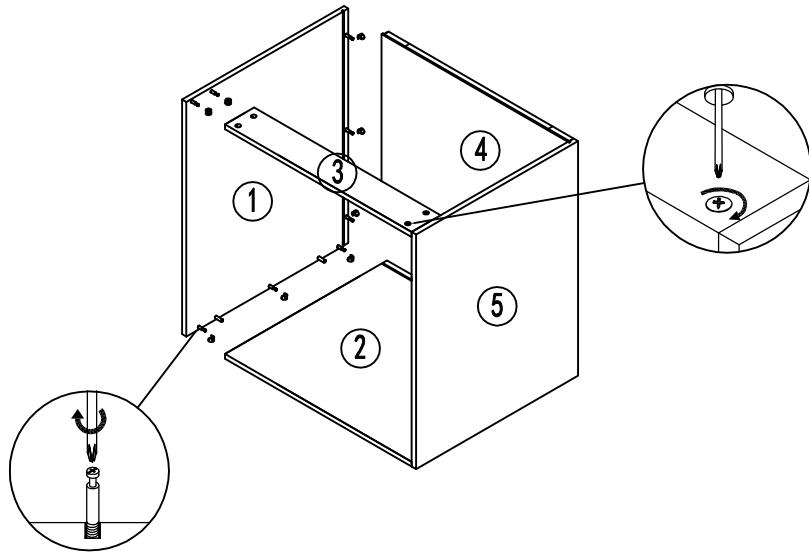
Part	L	W	T	QTY.
1 Left panel	30"	23 7/8"	3/4"	1
2 Bottom panel	23 3/8"	28 1/2"	3/4"	1
3 Panel	28 1/2"	4 1/8"	3/4"	1
4 Back panel	29 3/8"	28 7/8"	7/8"	1
5 Right panel	30"	23 7/8"	3/4"	1
6 Shelf	22 3/8"	28 1/2"	3/4"	1
				total 6

DOOR

7 Door	14 7/8"	29 7/8"	3/4"	2
--------	---------	---------	------	---

ASSEMBLY INSTRUCTION

B33FD



B33FD

PICTURE	ITEM	SPEC	QTY.
	Hinge	Damper hinges	4
	Cam lock	Ø15*13	16
	Cam lock screw	Ø8*35	16
	Dowel	Ø8*35	4
	Shelf support	Ø5	4
	ABS Leg	4 3/4" ±3/4"	4

BOX

Part	L	W	T	QTY.
1 Left panel	30"	23 7/8"	3/4"	1
2 Bottom panel	23 3/8"	31 1/2"	3/4"	1
3 panel	31 1/2"	4 1/8"	3/4"	1
4 Back panel	29 3/8"	31 7/8"	7/8"	1
5 Right panel	30"	23 7/8"	3/4"	1
6 shelf	22 3/8"	31 1/2"	3/4"	1
				total 6

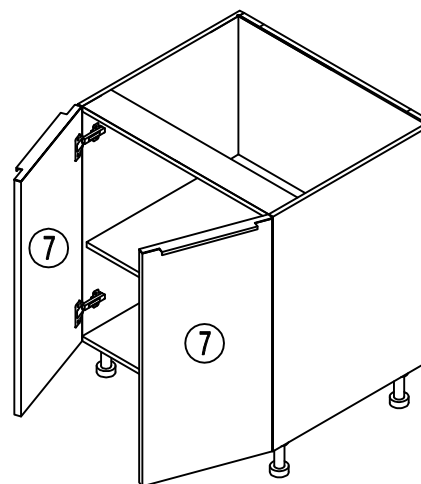
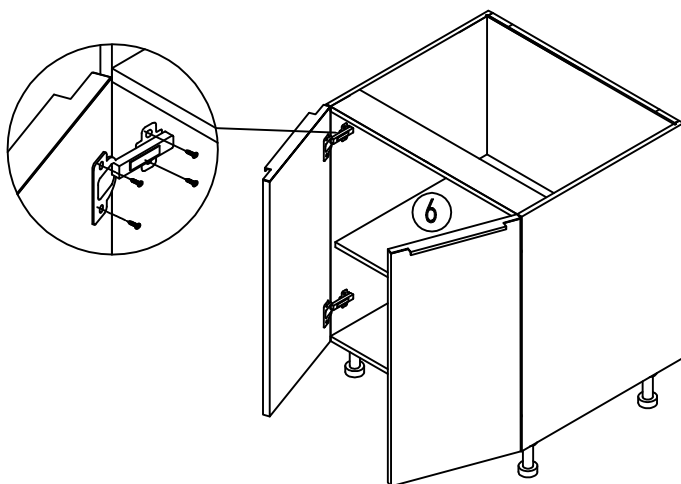
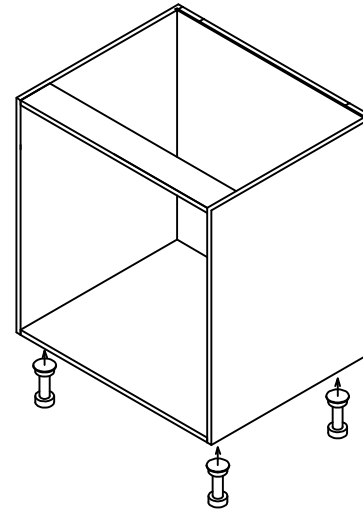
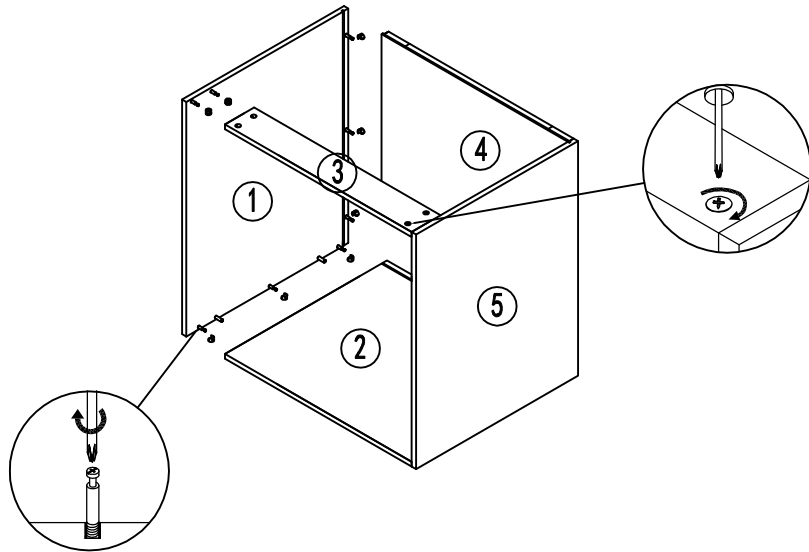
DOOR

7 Door	16 3/8"	29 7/8"	3/4"	2
--------	---------	---------	------	---

V 2.0

ASSEMBLY INSTRUCTION

B36FD



B36FD

PICTURE	ITEM	SPEC	QTY.
	Hinge	Damper hinges	4
	Cam lock	Ø15*13	16
	Cam lock screw	Ø8*35	16
	Dowel	Ø8*35	4
	Shelf support	Ø5	4
	ABS Leg	4 3/4" ±3/4"	4

BOX

Part	L	W	T	QTY.
1 Left panel	30"	23 7/8"	3/4"	1
2 Bottom panel	23 3/8"	34 1/2"	3/4"	1
3 Panel	34 1/2"	4 1/8"	3/4"	1
4 Back panel	29 3/8"	34 7/8"	7/8"	1
5 Right panel	30"	23 7/8"	3/4"	1
6 Shelf	22 3/8"	34 1/2"	3/4"	1
total 6				

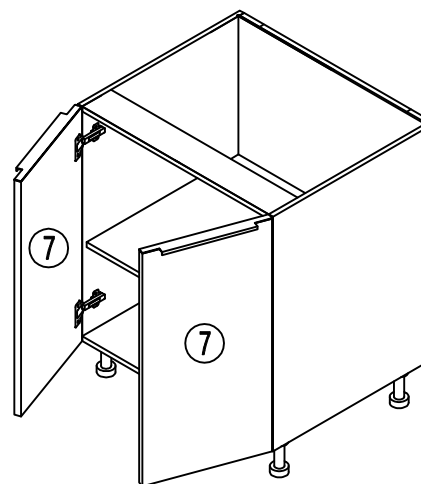
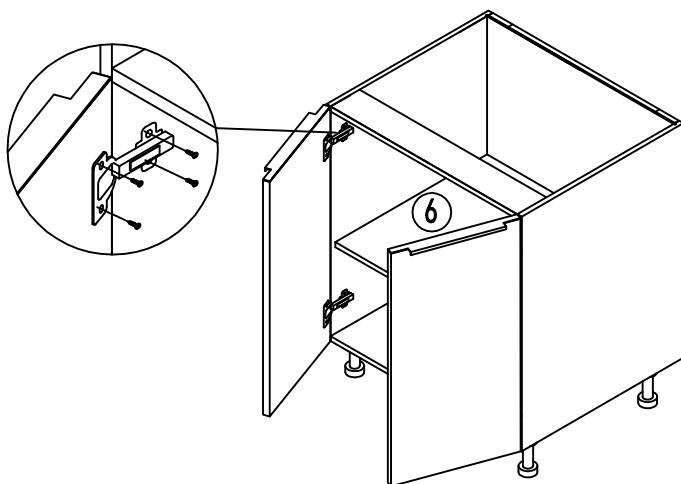
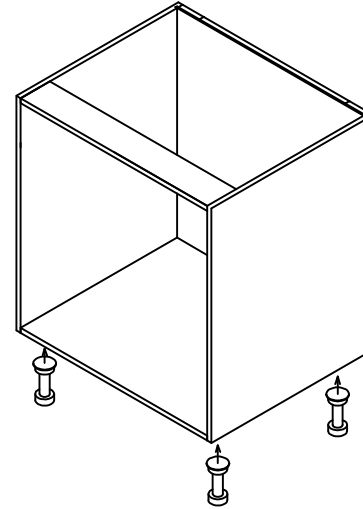
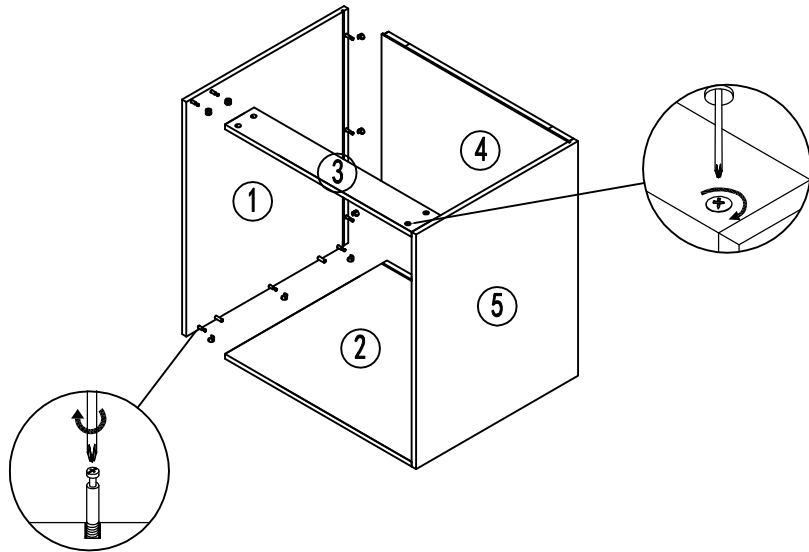
DOOR

7 Door	17 7/8"	29 7/8"	3/4"	2
--------	---------	---------	------	---

V 2.0

ASSEMBLY INSTRUCTION

B42FD



B42FD

PICTURE	ITEM	SPEC	QTY.
	Hinge	Damper hinges	4
	Cam lock	Ø15*13	16
	Cam lock screw	Ø8*35	16
	Dowel	Ø8*35	4
	Shelf support	Ø5	4
	ABS Leg	4 3/4" ±3/4"	4

BOX

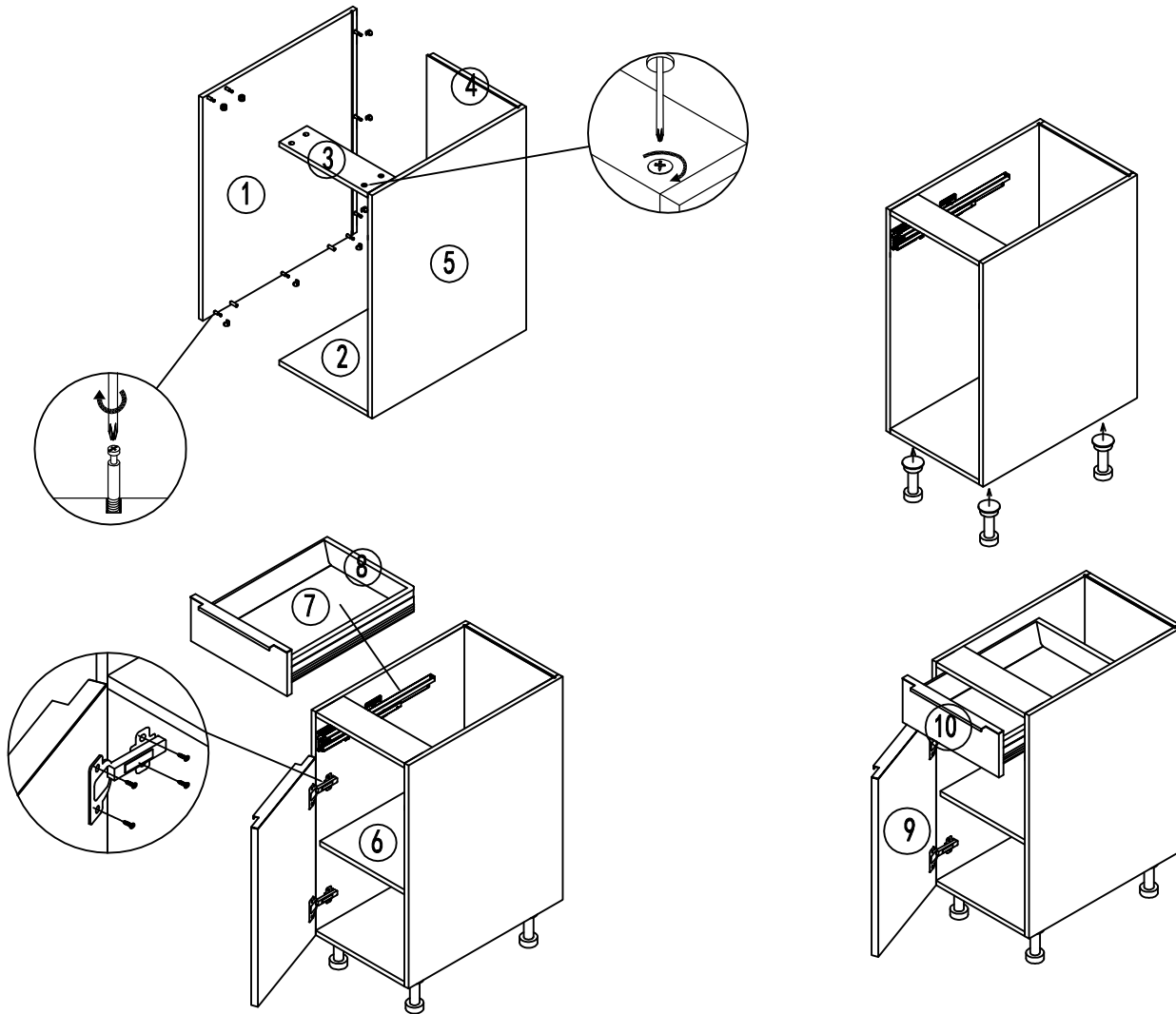
Part	L	W	T	QTY.
1 Left panel	30"	23 7/8"	3/4"	1
2 Bottom panel	23 3/8"	40 1/2"	3/4"	1
3 Panel	40 1/2"	4 1/8"	3/4"	1
4 Back panel	29 3/8"	40 7/8"	7/8"	1
5 Right panel	30"	23 7/8"	3/4"	1
6 Shelf	22 3/8"	40 1/2"	3/4"	1
total 6				

DOOR

7 Door	20 7/8"	29 7/8"	3/4"	2
--------	---------	---------	------	---

ASSEMBLY INSTRUCTION

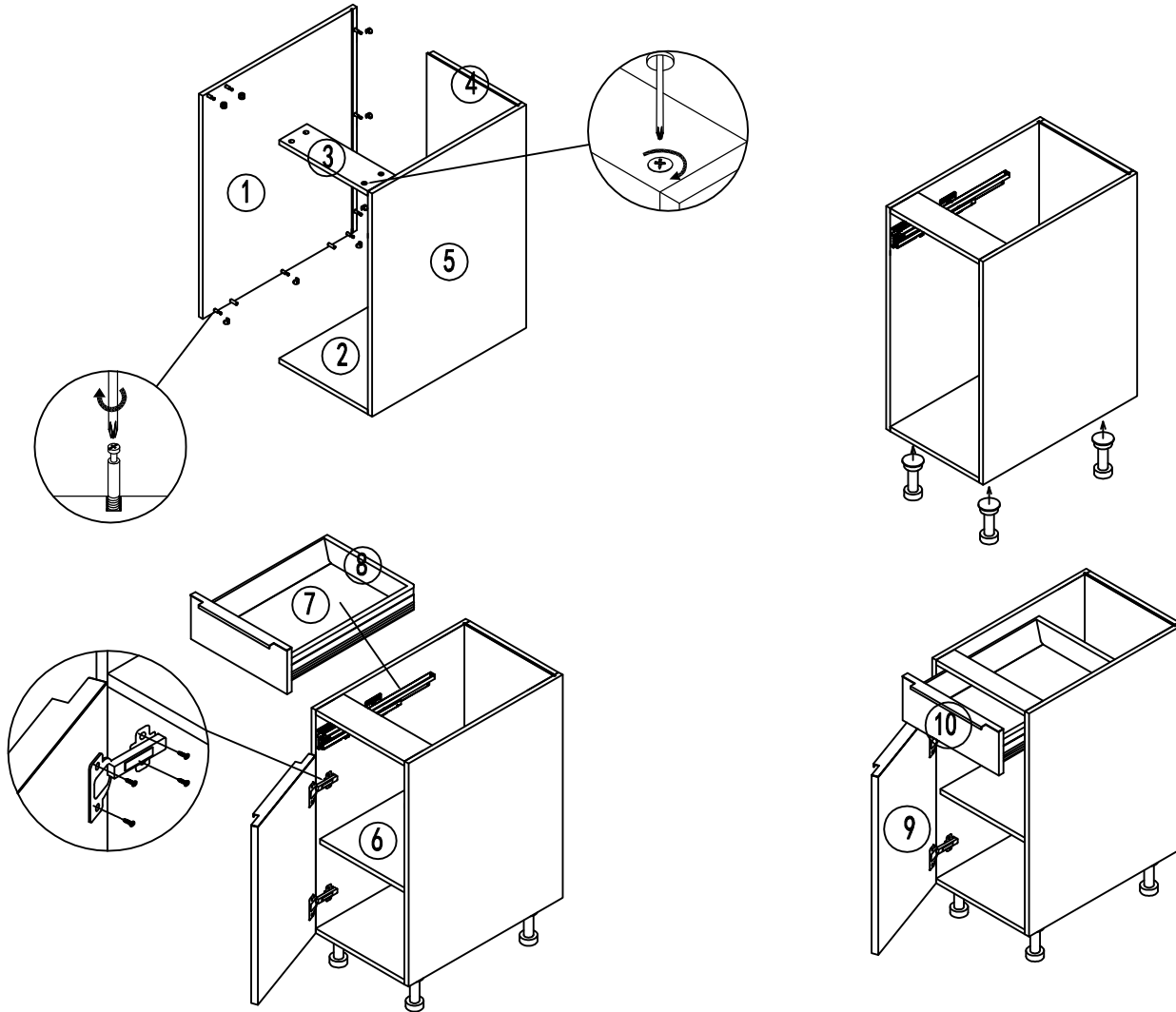
B12



B12					
PICTURE	ITEM	SPEC	QTY.		
	Hinge	Damper hinges	2		
	Cam lock	Ø15*13	16		
	Cam lock screw	Ø8*35	16		
	Dowel	Ø8*35	4		
	Shelf support	Ø5	4		
	ABS Leg	4 3/4" ±3/4"	4		
	Drawer slide (N)	Length=19 5/8"	1		
BOX					
Part	L	W	T	QTY.	
1	Left panel	30"	23 7/8"	3/4"	1
2	Bottom panel	23 3/8"	10 1/2"	3/4"	1
3	Panel	10 1/2"	4 1/8"	3/4"	1
4	Back panel	29 3/8"	10 7/8"	7/8"	1
5	Right panel	30"	23 7/8"	3/4"	1
6	Shelf	22 3/8"	10 1/2"	3/4"	1
7	Drawer bottom panel	18 3/4"	7 5/8"	5/8"	1
8	Drawer back panel	7 1/8"	3 1/4"	5/8"	1
total				8	
DOOR					
9	Door	11 7/8"	23 7/8"	3/4"	1
10	Drawer front	11 7/8"	5 7/8"	3/4"	1

ASSEMBLY INSTRUCTION

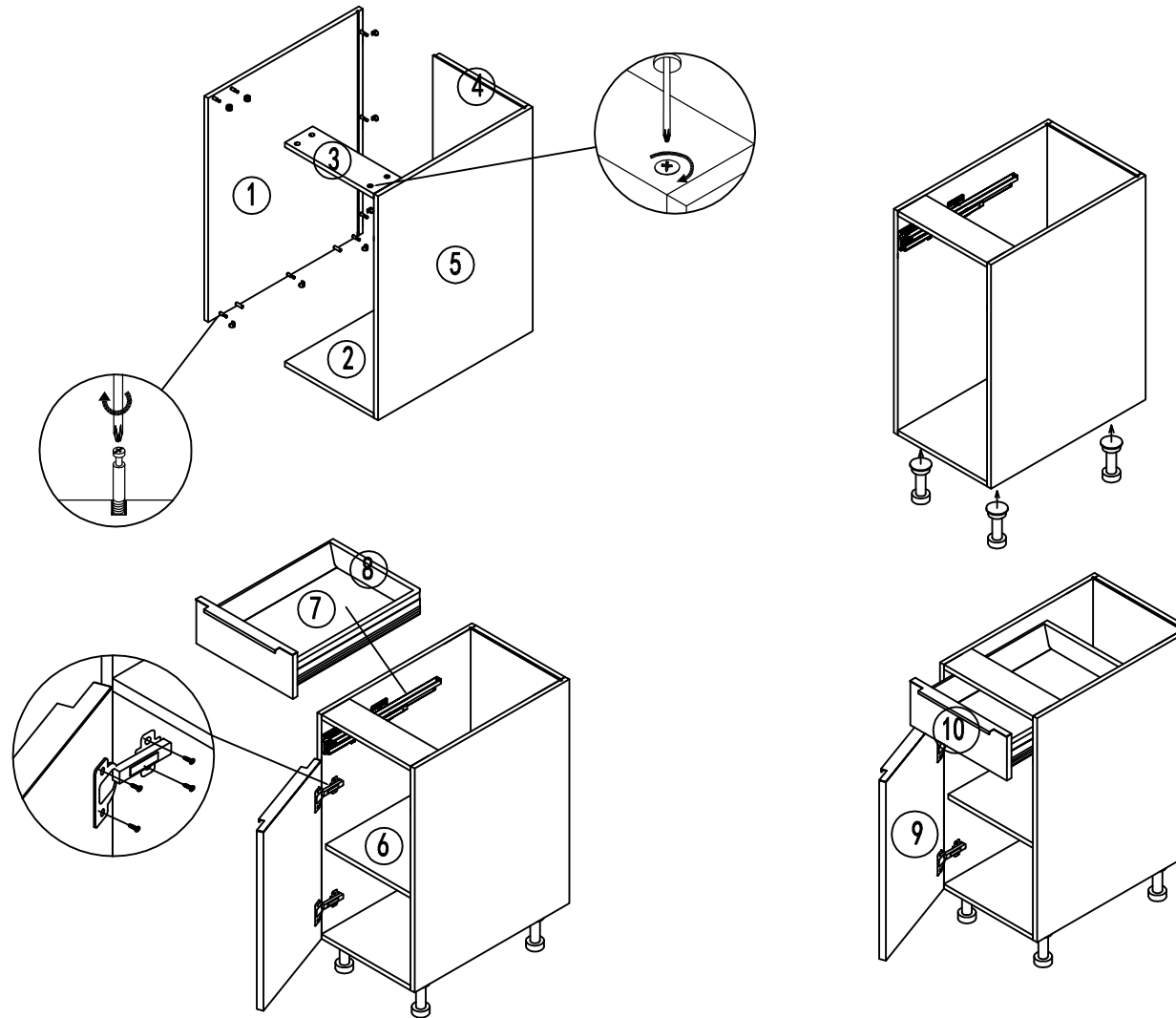
B15



B15					
PICTURE	ITEM	SPEC	QTY.		
	Hinge	Damper hinges	2		
	Cam lock	Ø15*13	16		
	Cam lock screw	Ø8*35	16		
	Dowel	Ø8*35	4		
	Shelf support	Ø5	4		
	ABS Leg	4 3/4" ± 3/4"	4		
	Drawer slide (N)	Length=19 5/8"	1		
BOX					
Part	L	W	T	QTY.	
1	Left panel	30"	23 7/8"	3/4"	1
2	Bottom panel	23 3/8"	13 1/2"	3/4"	1
3	Panel	13 1/2"	4 1/8"	3/4"	1
4	Back panel	29 3/8"	13 7/8"	7/8"	1
5	Right panel	30"	23 7/8"	3/4"	1
6	Shelf	22 3/8"	13 1/2"	3/4"	1
7	Drawer bottom panel	18 3/4"	10 5/8"	5/8"	1
8	Drawer back panel	10 1/8"	3 1/4"	5/8"	1
total				8	
DOOR					
9	Door	14 7/8"	23 7/8"	3/4"	1
10	Drawer front	14 7/8"	5 7/8"	3/4"	1

ASSEMBLY INSTRUCTION

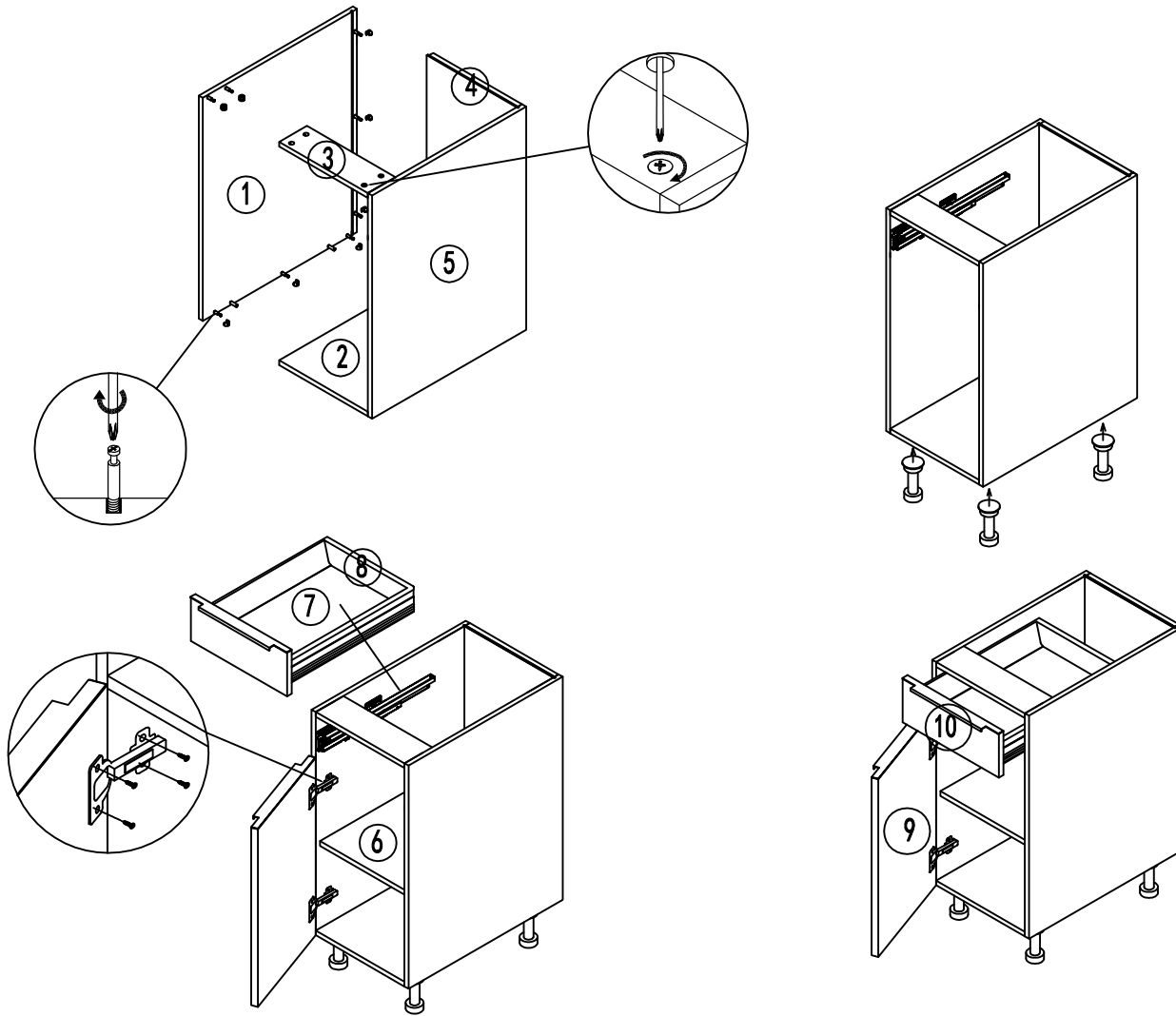
B18



B18					
PICTURE	ITEM	SPEC	QTY.		
	Hinge	Damper hinges	2		
	Cam lock	Ø15*13	16		
	Cam lock screw	Ø8*35	16		
	Dowel	Ø8*35	4		
	Shelf support	Ø5	4		
	ABS Leg	4 3/4" ± 3/4"	4		
	Drawer slide (N)	Length=19 5/8"	1		
BOX					
Part	L	W	T	QTY.	
1	Left panel	30"	23 7/8"	3/4"	1
2	Bottom panel	23 3/8"	16 1/2"	3/4"	1
3	Panel	16 1/2"	4 1/8"	3/4"	1
4	Back panel	29 3/8"	16 7/8"	7/8"	1
5	Right panel	30"	23 7/8"	3/4"	1
6	Shelf	22 3/8"	16 1/2"	3/4"	1
7	Drawer bottom panel	18 3/4"	13 5/8"	5/8"	1
8	Drawer back panel	13 1/8"	3 1/4"	5/8"	1
total				8	
DOOR					
9	Door	17 7/8"	23 7/8"	3/4"	1
10	Drawer front	17 7/8"	5 7/8"	3/4"	1

ASSEMBLY INSTRUCTION

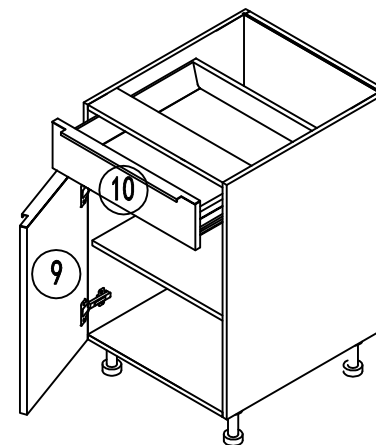
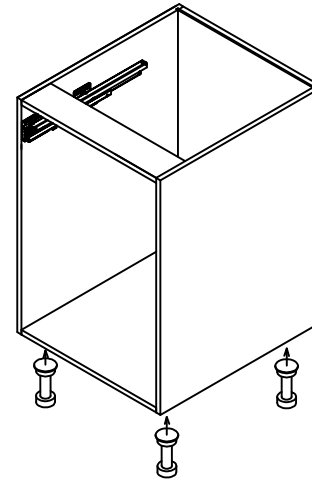
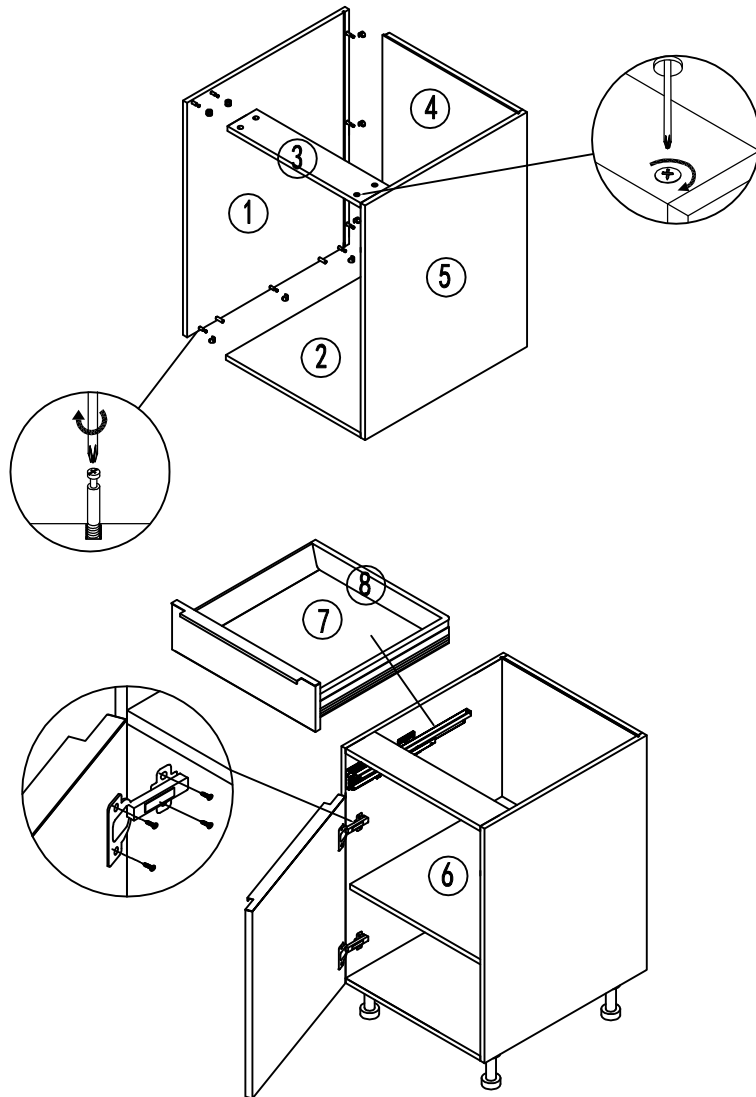
B21



B21					
PICTURE	ITEM	SPEC	QTY.		
	Hinge	Damper hinges	2		
	Cam lock	Ø15*13	16		
	Cam lock screw	Ø8*35	16		
	Dowel	Ø8*35	4		
	Shelf support	Ø5	4		
	ABS Leg	4 3/4" ± 3/4"	4		
	Drawer slide (N)	Length=19 5/8"	1		
BOX					
Part	L	W	T	QTY.	
1	Left panel	30"	23 7/8"	3/4"	1
2	Bottom panel	23 3/8"	19 1/2"	3/4"	1
3	Panel	19 1/2"	4 1/8"	3/4"	1
4	Back panel	29 3/8"	19 3/8"	7/8"	1
5	Right panel	30"	23 7/8"	3/4"	1
6	Shelf	22 3/8"	19 1/2"	3/4"	1
7	Drawer bottom panel	18 3/4"	16 5/8"	5/8"	1
8	Drawer back panel	16 1/8"	3 1/4"	5/8"	1
total				8	
DOOR					
9	Door	20 7/8"	23 7/8"	3/4"	1
10	Drawer front	20 7/8"	5 7/8"	3/4"	1

ASSEMBLY INSTRUCTION

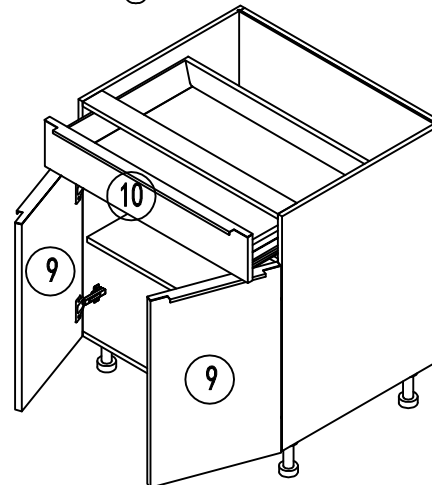
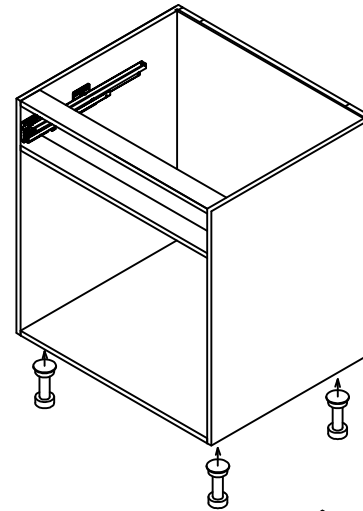
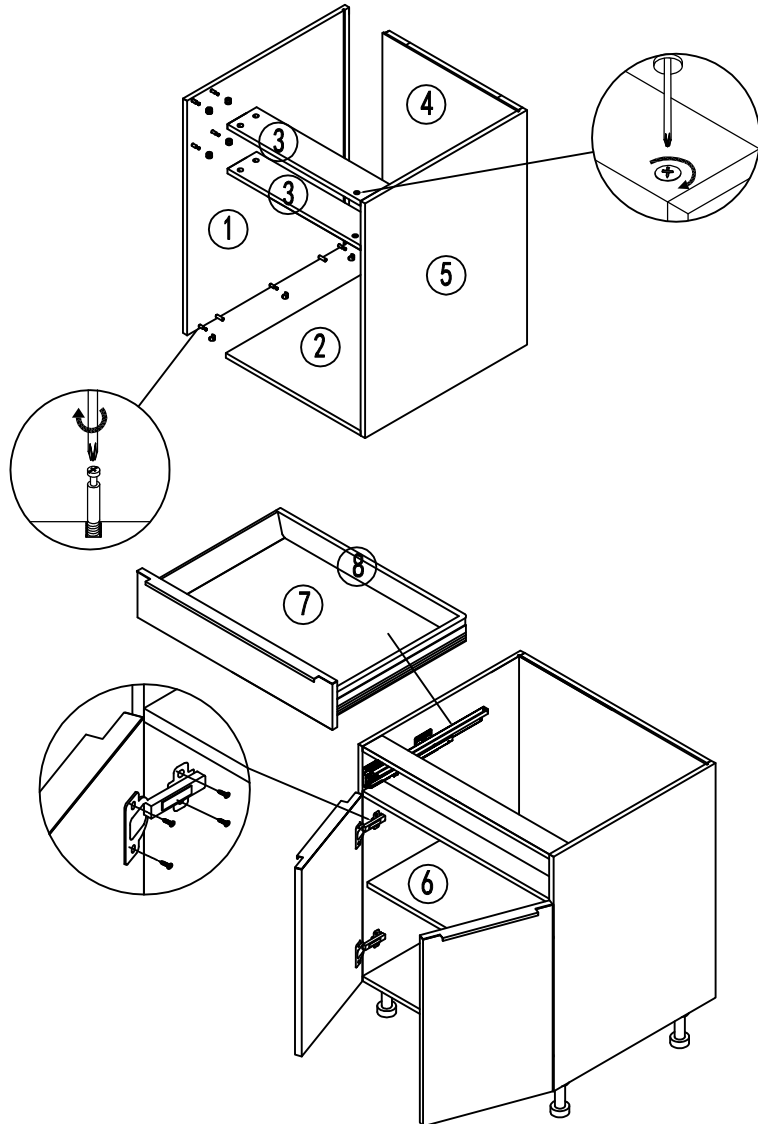
B24



B24					
PICTURE	ITEM	SPEC	QTY.		
	Hinge	Damper hinges	2		
	Cam lock	Ø15*13	16		
	Cam lock screw	Ø8*35	16		
	Dowel	Ø8*35	4		
	Shelf support	Ø5	4		
	ABS Leg	4 3/4" ± 3/4"	4		
	Drawer slide (N)	Length=19 5/8"	1		
BOX					
Part	L	W	T	QTY.	
1	Left panel	30"	23 7/8"	3/4"	1
2	Bottom panel	23 3/8"	22 1/2"	3/4"	1
3	Panel	22 1/2"	4 1/8"	3/4"	1
4	Back panel	29 3/8"	22 7/8"	7/8"	1
5	Right panel	30"	23 7/8"	3/4"	1
6	Shelf	22 3/8"	22 1/2"	3/4"	1
7	Drawer bottom panel	18 3/4"	19 5/8"	5/8"	1
8	Drawer back panel	19 1/8"	3 1/4"	5/8"	1
total				8	
DOOR					
9	Door	23 7/8"	23 7/8"	3/4"	1
10	Drawer front	23 7/8"	5 7/8"	3/4"	1

ASSEMBLY INSTRUCTION

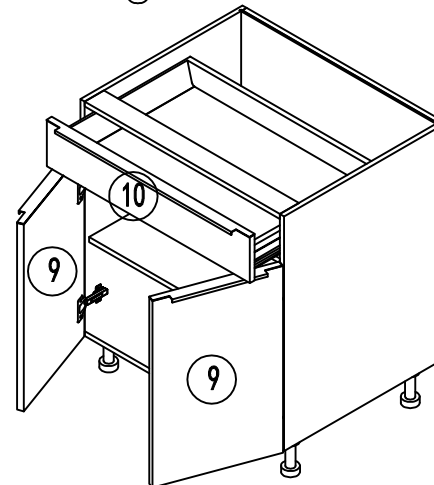
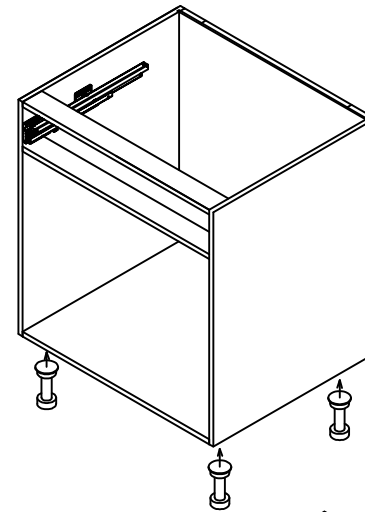
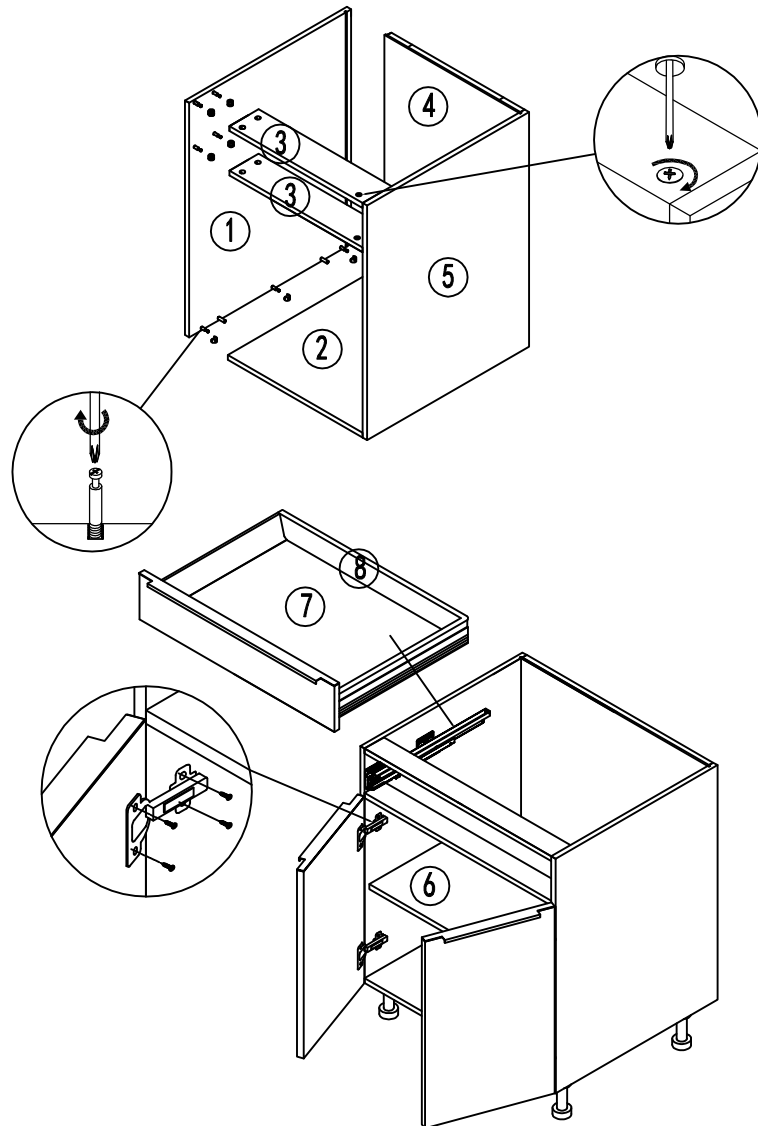
B24DD



B24DD					
PICTURE	ITEM	SPEC	QTY.		
	Hinge	Damper hinges	4		
	Cam lock	Ø15*13	16		
	Cam lock screw	Ø8*35	16		
	Dowel	Ø8*35	4		
	Shelf support	Ø5	4		
	ABS Leg	4 3/4" ± 3/4"	4		
	Drawer slide (N)	Length=19 5/8"	1		
BOX					
Part	L	W	T	QTY.	
1	Left panel	30"	23 7/8"	3/4"	1
2	Bottom panel	23 3/8"	22 1/2"	3/4"	1
3	Panel	22 1/2"	4 1/8"	3/4"	2
4	Back panel	29 3/8"	22 7/8"	7/8"	1
5	Right panel	30"	23 7/8"	3/4"	1
6	Shelf	22 3/8"	22 1/2"	3/4"	1
7	Drawer bottom panel	18 3/4"	19 5/8"	5/8"	1
8	Drawer back panel	19 1/8"	3 1/4"	5/8"	1
				total 9	
DOOR					
9	Door	11 3/8"	23 7/8"	3/4"	2
10	Drawer front	23 7/8"	5 7/8"	3/4"	1

ASSEMBLY INSTRUCTION

B27

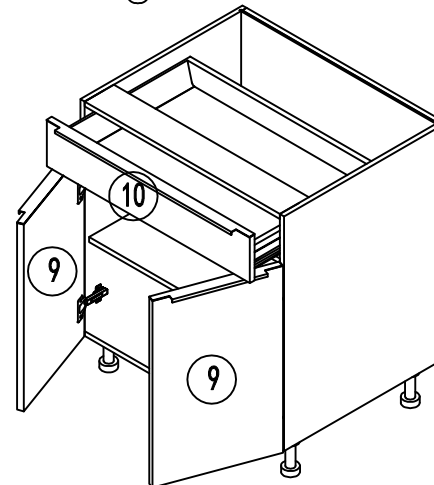
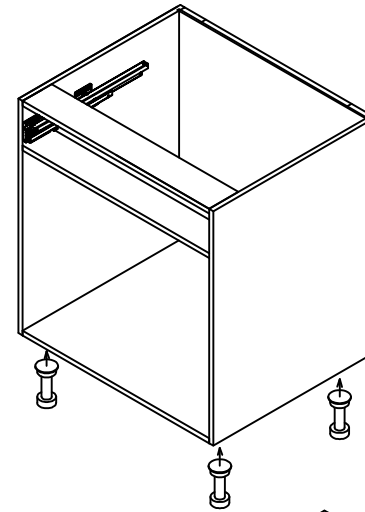
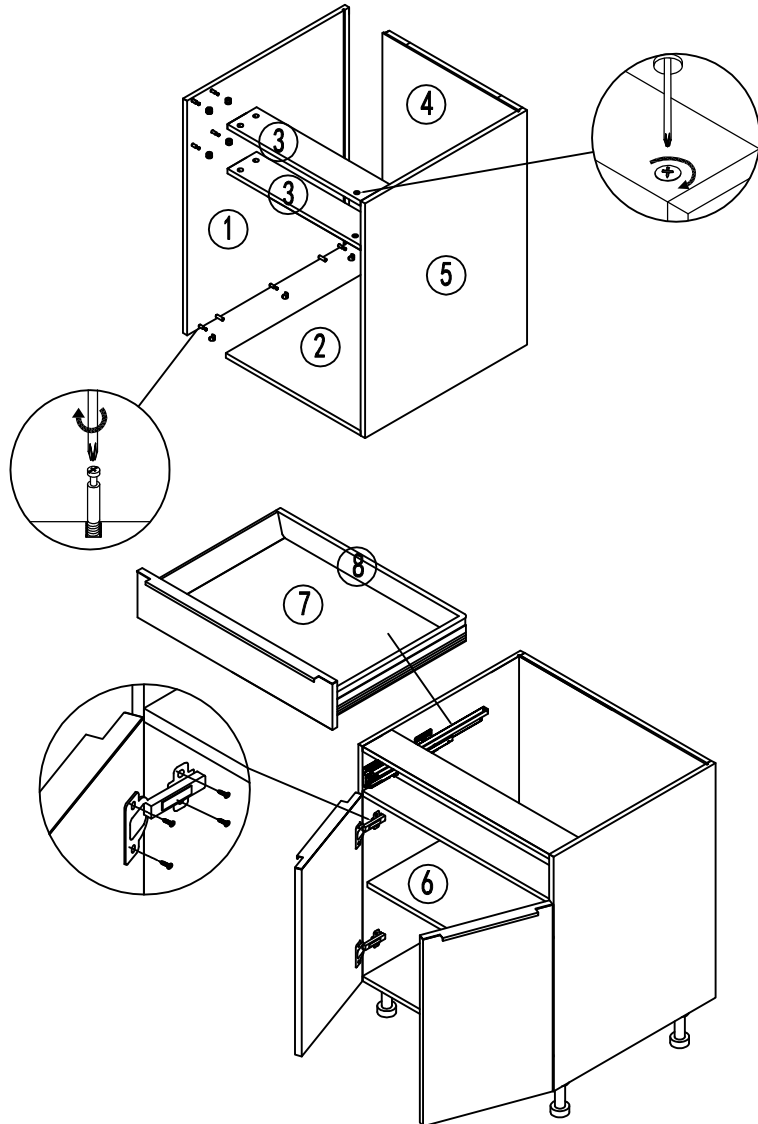


B27					
PICTURE	ITEM	SPEC	QTY.		
	Hinge	Damper hinges	4		
	Cam lock	Ø15*13	20		
	Cam lock screw	Ø8*35	20		
	Dowel	Ø8*35	4		
	Shelf support	Ø5	4		
	ABS Leg	4 3/4" ± 3/4"	4		
	Drawer slide (N)	Length=19 5/8"	1		
BOX					
Part	L	W	T	QTY.	
1	Left panel	30"	23 7/8"	3/4"	1
2	Bottom panel	23 3/8"	25 1/2"	3/4"	1
3	Panel	25 1/2"	4 1/8"	3/4"	2
4	Back panel	29 3/8"	25 7/8"	7/8"	1
5	Right panel	30"	23 7/8"	3/4"	1
6	Shelf	22 3/8"	25 1/2"	3/4"	1
7	Drawer bottom panel	18 3/4"	22 5/8"	5/8"	1
8	Drawer back panel	22 1/8"	3 1/4"	5/8"	1
total				9	
DOOR					
9	Door	13 3/8"	23 7/8"	3/4"	2
10	Drawer front	26 7/8"	5 7/8"	3/4"	1

V 2.0

ASSEMBLY INSTRUCTION

B30

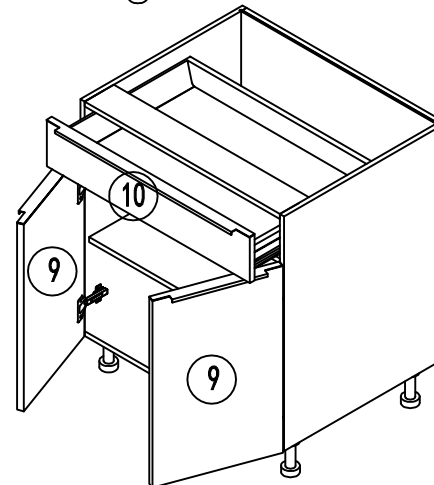
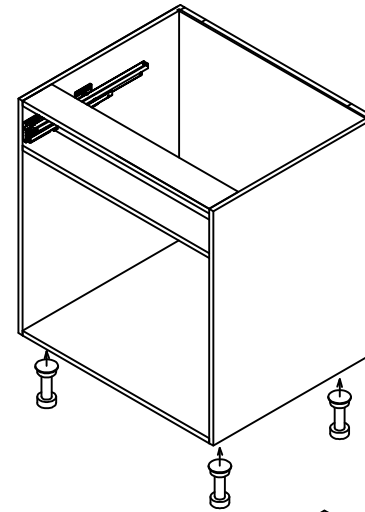
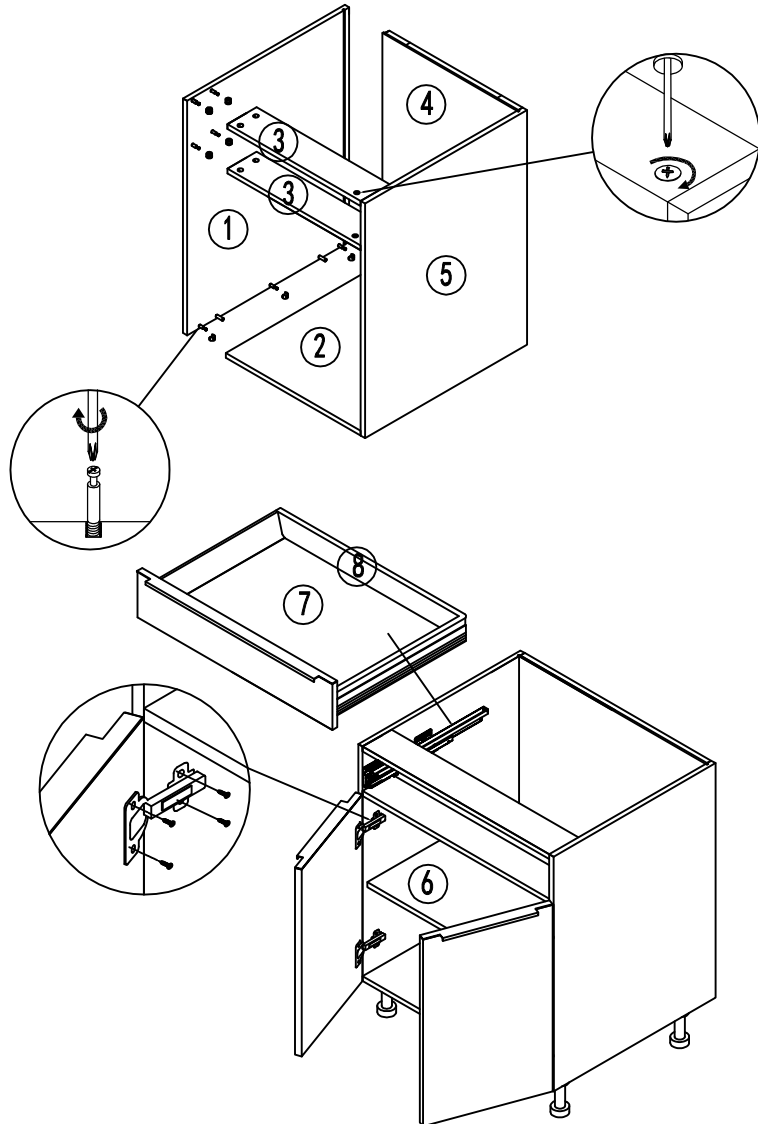


B30					
PICTURE	ITEM	SPEC	QTY.		
	Hinge	Damper hinges	4		
	Cam lock	Ø15*13	20		
	Cam lock screw	Ø8*35	20		
	Dowel	Ø8*35	4		
	Shelf support	Ø5	4		
	ABS Leg	4 3/4" ± 3/4"	4		
	Drawer slide (N)	Length=19 5/8"	1		
BOX					
Part	L	W	T	QTY.	
1	Left panel	30"	23 7/8"	3/4"	1
2	Bottom panel	23 3/8"	28 1/2"	3/4"	1
3	Panel	28 1/2"	4 1/8"	3/4"	2
4	Back panel	29 3/8"	28 7/8"	7/8"	1
5	Right panel	30"	23 7/8"	3/4"	1
6	Shelf	22 3/8"	28 1/2"	3/4"	1
7	Drawer bottom panel	18 3/4"	25 5/8"	5/8"	1
8	Drawer back panel	25 1/8"	3 1/4"	5/8"	1
total				9	
DOOR					
9	Door	14 7/8"	23 7/8"	3/4"	2
10	Drawer front	29 7/8"	5 7/8"	3/4"	1

V 2.0

ASSEMBLY INSTRUCTION

B33

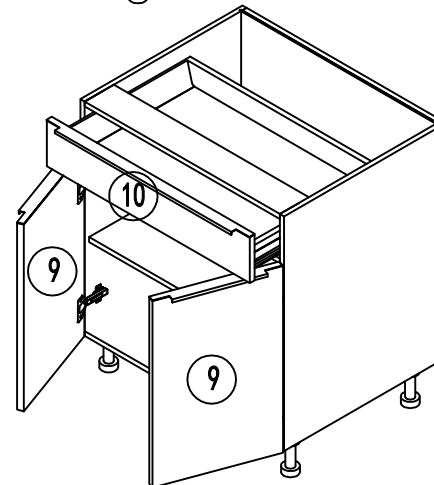
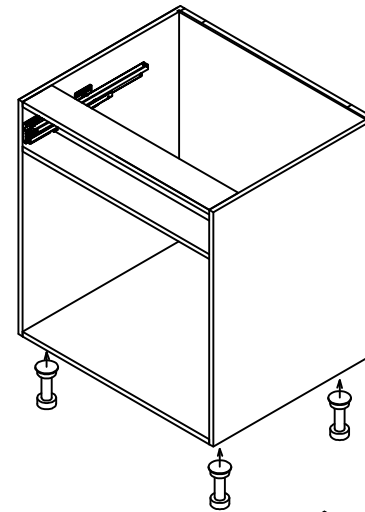
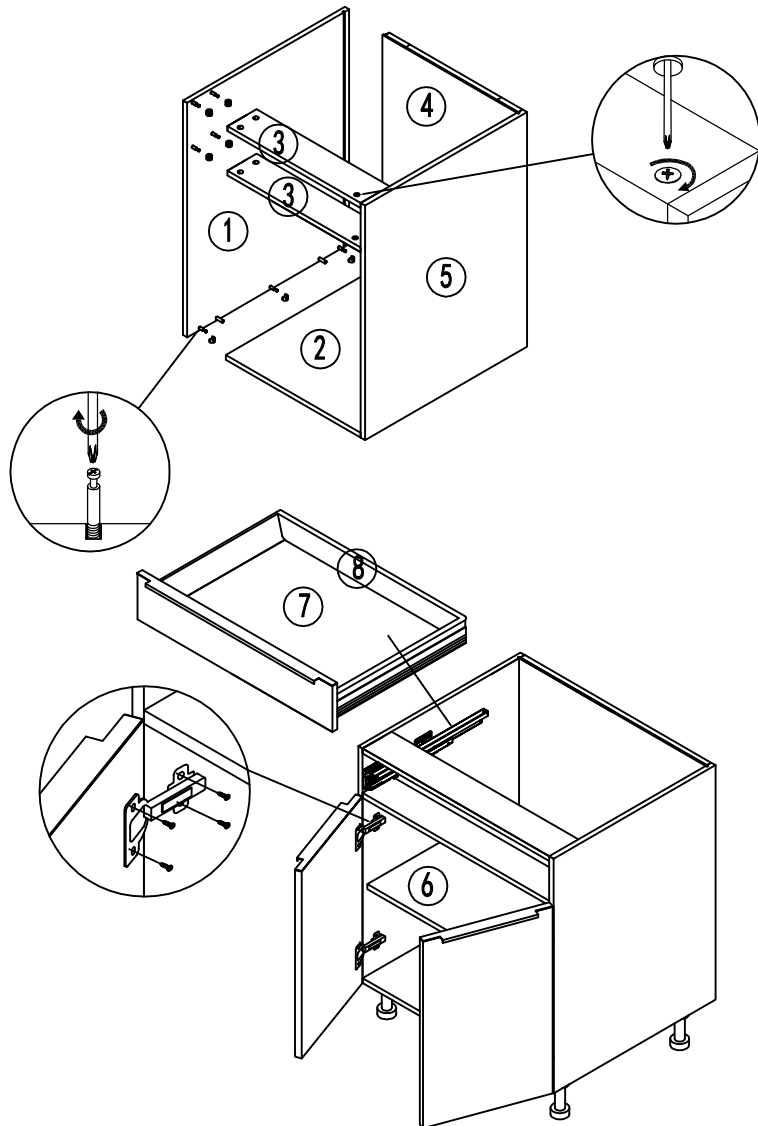


B33					
PICTURE	ITEM	SPEC	QTY.		
	Hinge	Damper hinges	4		
	Cam lock	Ø15*13	20		
	Cam lock screw	Ø8*35	20		
	Dowel	Ø8*35	4		
	Shelf support	Ø5	4		
	ABS Leg	4 3/4" ± 3/4"	4		
	Drawer slide (N)	Length=19 5/8"	1		
BOX					
Part	L	W	T	QTY.	
1	Left panel	30"	23 7/8"	3/4"	1
2	Bottom panel	23 3/8"	31 1/2"	3/4"	1
3	panel	31 1/2"	4 1/8"	3/4"	2
4	Back panel	29 3/8"	31 7/8"	7/8"	1
5	Right panel	30"	23 7/8"	3/4"	1
6	shelf	22 3/8"	31 1/2"	3/4"	1
7	Drawer bottom panel	18 3/4"	28 5/8"	5/8"	1
8	Drawer back panel	28 1/8"	3 1/4"	5/8"	1
				total	9
DOOR					
9	Door	16 3/8"	23 7/8"	3/4"	2
10	Drawer front	32 7/8"	5 7/8"	3/4"	1

V 2.0

ASSEMBLY INSTRUCTION

B36

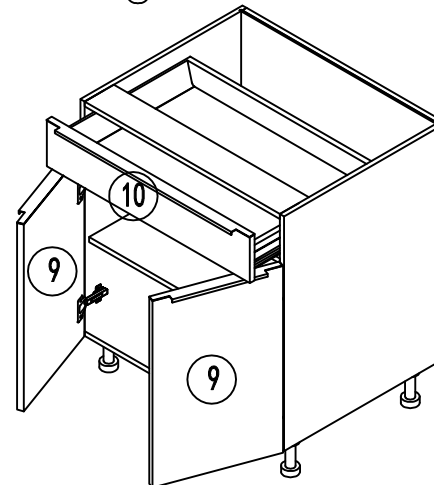
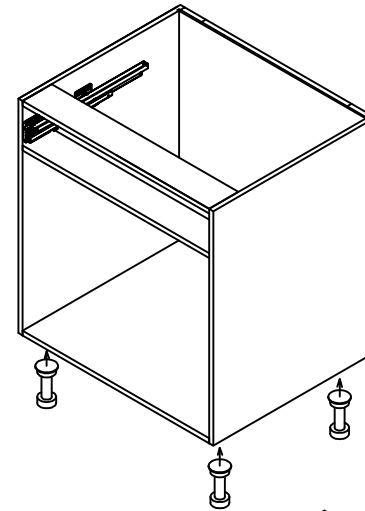
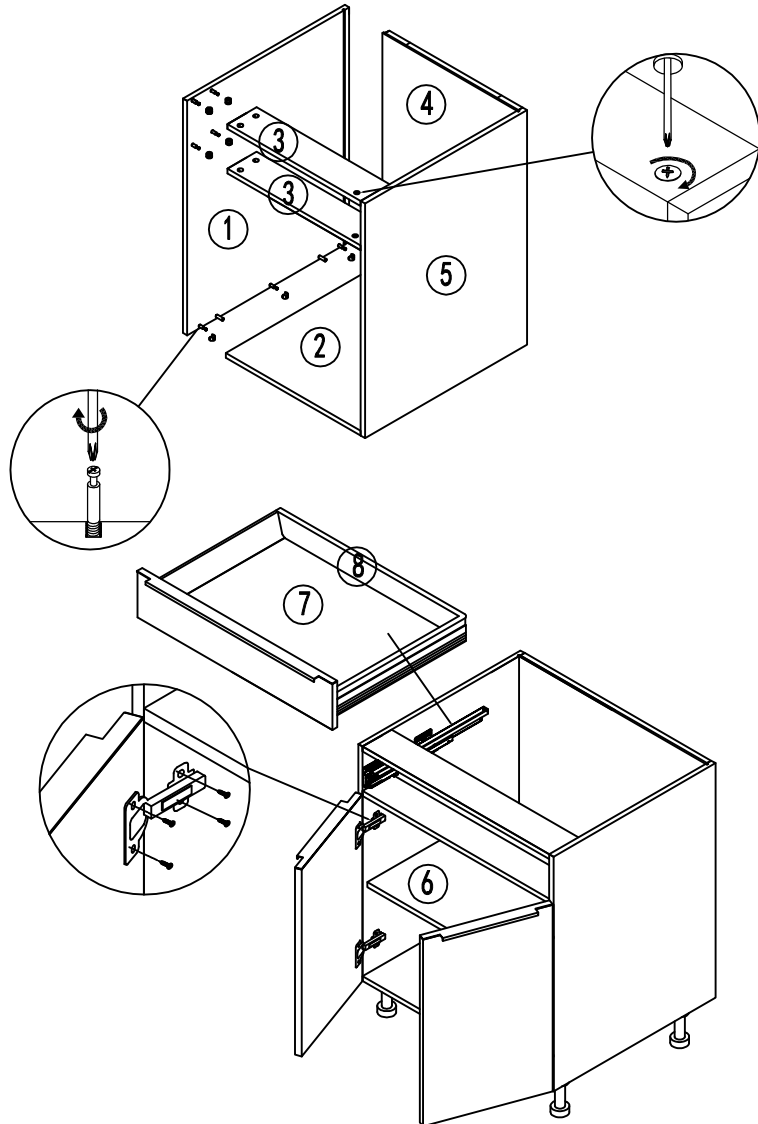


B36					
PICTURE	ITEM	SPEC	QTY.		
	Hinge	Damper hinges	4		
	Cam lock	Ø15*13	20		
	Cam lock screw	Ø8*35	20		
	Dowel	Ø8*35	4		
	Shelf support	Ø5	4		
	ABS Leg	4 3/4" ± 3/4"	4		
	Drawer slide (N)	Length=19 5/8"	1		
BOX					
Part	L	W	T	QTY.	
1	Left panel	30"	23 7/8"	3/4"	1
2	Bottom panel	23 3/8"	34 1/2"	3/4"	1
3	Panel	34 1/2"	4 1/8"	3/4"	2
4	Back panel	29 3/8"	34 7/8"	7/8"	1
5	Right panel	30"	23 7/8"	3/4"	1
6	Shelf	22 3/8"	34 1/2"	3/4"	1
7	Drawer bottom panel	18 3/4"	31 5/8"	5/8"	1
8	Drawer back panel	31 1/8"	3 1/4"	5/8"	1
total				9	
DOOR					
9	Door	17 7/8"	23 7/8"	3/4"	2
10	Drawer front	35 7/8"	5 7/8"	3/4"	1

V 2.0

ASSEMBLY INSTRUCTION

B42

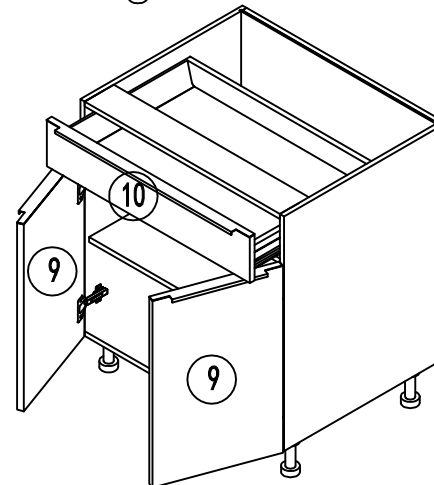
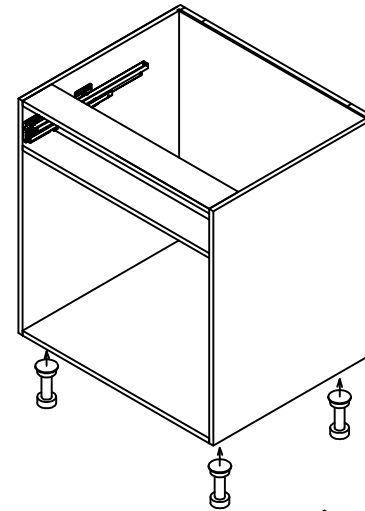
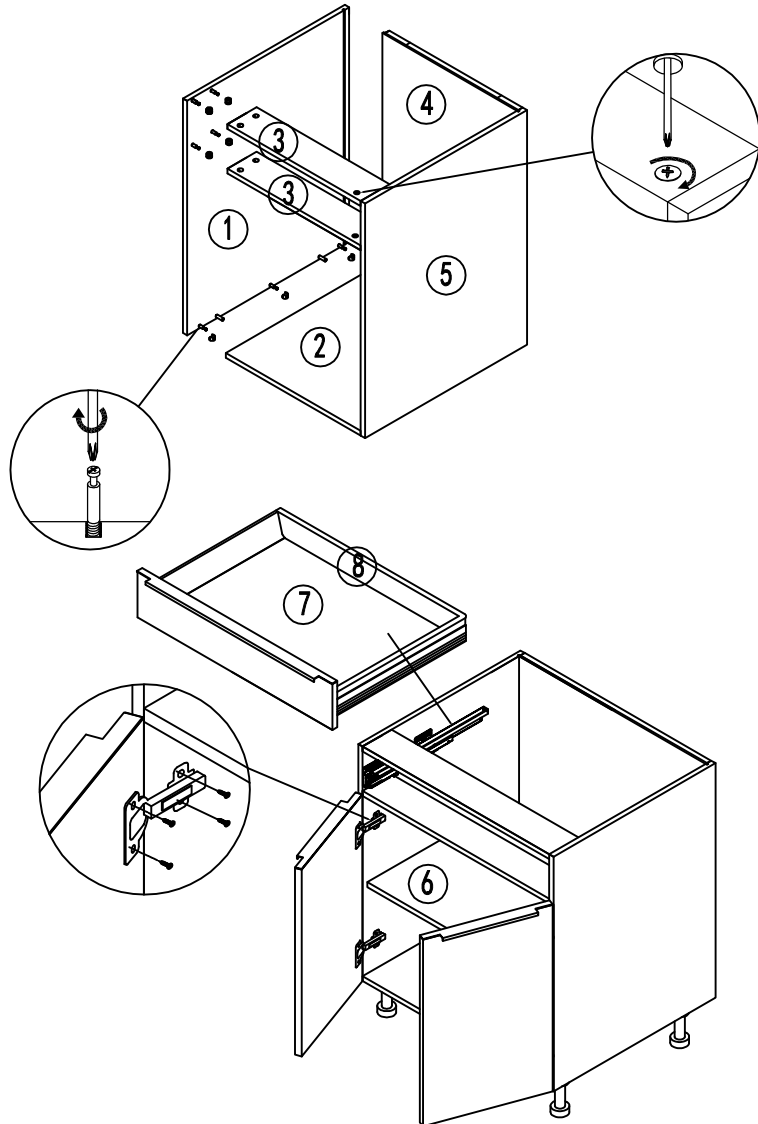


B42					
PICTURE	ITEM	SPEC	QTY.		
	Hinge	Damper hinges	4		
	Cam lock	Ø15*13	20		
	Cam lock screw	Ø8*35	20		
	Dowel	Ø8*35	4		
	Shelf support	Ø5	4		
	ABS Leg	4 3/4" ± 3/4"	4		
	Drawer slide (N)	Length=19 5/8"	1		
BOX					
Part	L	W	T	QTY.	
1	Left panel	30"	23 7/8"	3/4"	1
2	Bottom panel	23 3/8"	40 1/2"	3/4"	1
3	Panel	40 1/2"	4 1/8"	3/4"	2
4	Back panel	29 3/8"	40 7/8"	7/8"	1
5	Right panel	30"	23 7/8"	3/4"	1
6	Shelf	22 3/8"	40 1/2"	3/4"	1
7	Drawer bottom panel	18 3/4"	37 5/8"	5/8"	1
8	Drawer back panel	37 1/8"	3 1/4"	5/8"	1
				total 9	
DOOR					
9	Door	20 7/8"	23 7/8"	3/4"	2
10	Drawer front	41 7/8"	5 7/8"	3/4"	1

V 2.0

ASSEMBLY INSTRUCTION

B39

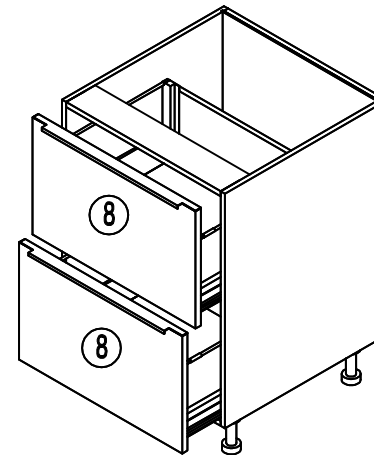
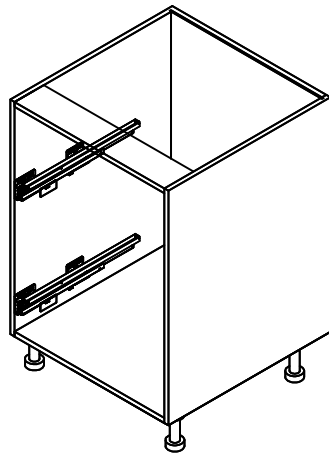
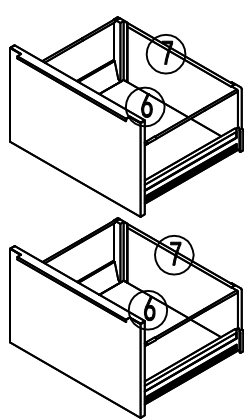
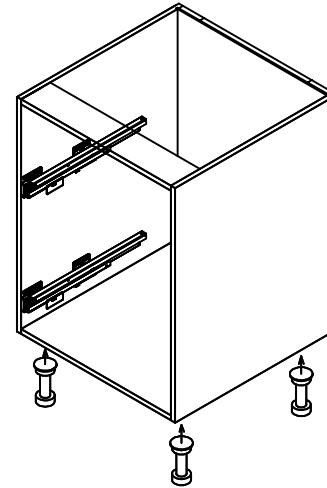
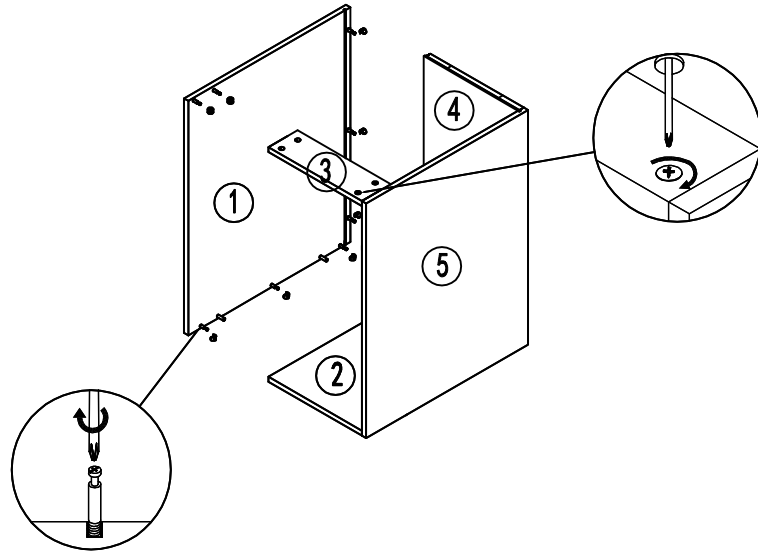


B39					
PICTURE	ITEM	SPEC	QTY.		
	Hinge	Damper hinges	4		
	Cam lock	Ø15*13	20		
	Cam lock screw	Ø8*35	20		
	Dowel	Ø8*35	4		
	Shelf support	Ø5	4		
	ABS Leg	4 3/4" ± 3/4"	4		
	Drawer slide (N)	Length=19 5/8"	1		
BOX					
Part	L	W	T	QTY.	
1	Left panel	30"	23 7/8"	3/4"	1
2	Bottom panel	23 3/8"	37 1/2"	3/4"	1
3	Panel	37 1/2"	4 1/8"	3/4"	2
4	Back panel	29 3/8"	37 7/8"	7/8"	1
5	Right panel	30"	23 7/8"	3/4"	1
6	Shelf	22 3/8"	37 1/2"	3/4"	1
7	Drawer bottom panel	18 3/4"	34 5/8"	5/8"	1
8	Drawer back panel	34 1/8"	3 1/4"	5/8"	1
				total 9	
DOOR					
9	Door	20 7/8"	23 7/8"	3/4"	2
10	Drawer front	41 7/8"	5 7/8"	3/4"	1

V 2.0

ASSEMBLY INSTRUCTION

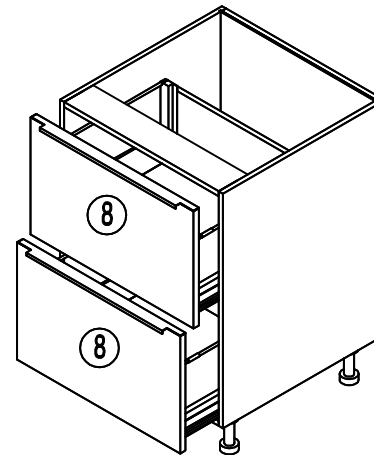
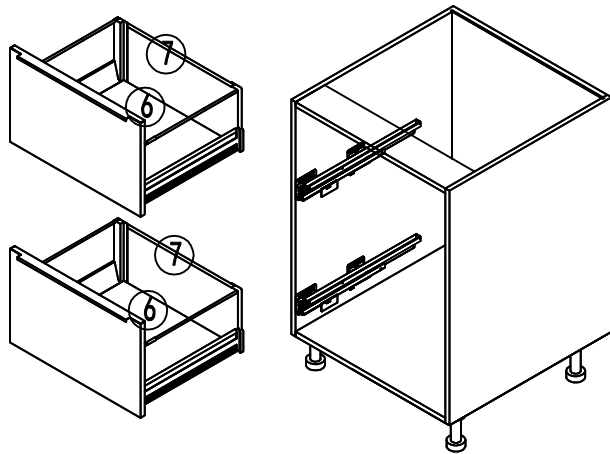
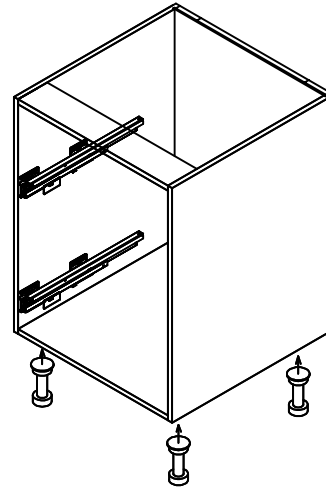
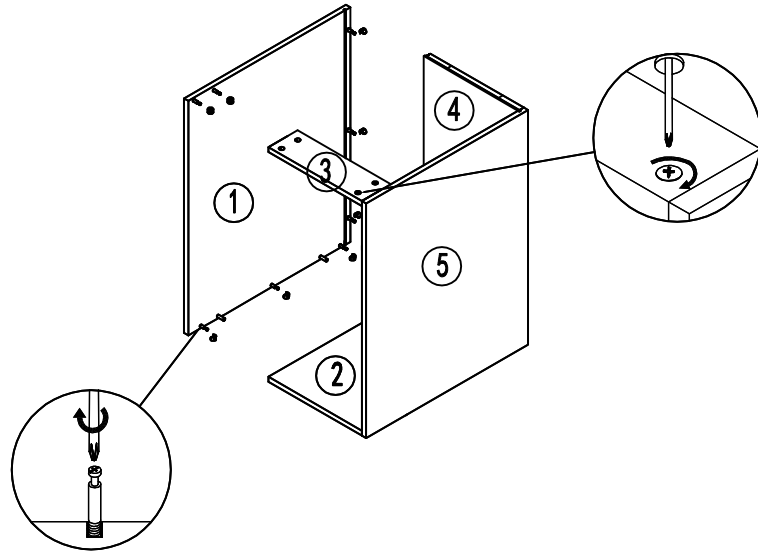
DB12-2



DB12-2				
PICTURE	ITEM	SPEC	QTY.	
	Cam lock	φ15*13	16	
	Cam lock screw	φ8*35	16	
	Dowel	φ8*35	4	
	ABS Leg	4 3/4" ± 3/4"	4	
	drawer slide (H)	Length=19 5/8"	2	
BOX				
Part	L	W	T	QTY.
1 Left panel	30"	23 7/8"	3/4"	1
2 Bottom panel	23 3/8"	10 1/2"	3/4"	1
3 Panel	10 1/2"	4 1/8"	3/4"	1
4 Back panel	29 3/8"	10 7/8"	7/8"	1
5 Right panel	30"	23 7/8"	3/4"	1
6 Drawer bottom panel	18 3/4"	7 5/8"	5/8"	2
7 Drawer back panel (H)	7 1/8"	7 7/8"	5/8"	2
total 9				
DOOR				
8 Drawer front	14 7/8"	14 7/8"	3/4"	2

ASSEMBLY INSTRUCTION

DB15-2



DB15-2

PICTURE	ITEM	SPEC	QTY.
	Cam lock	φ15*13	16
	Cam lock screw	φ8*35	16
	Dowel	φ8*35	4
	ABS Leg	4 3/4" ± 3/4"	4
	drawer slide (H)	Length=19 5/8"	2

BOX

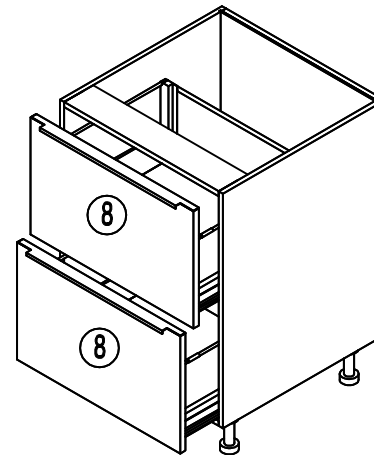
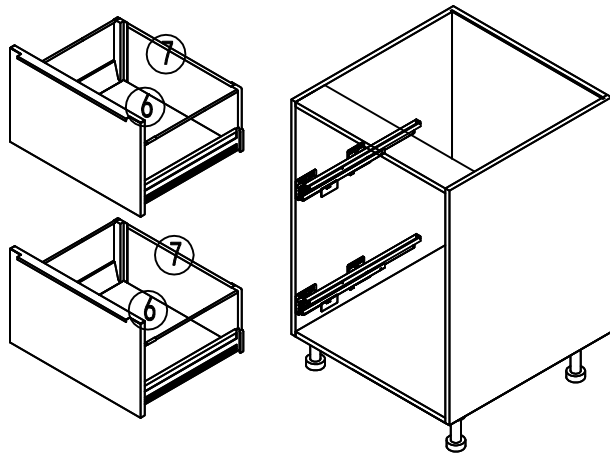
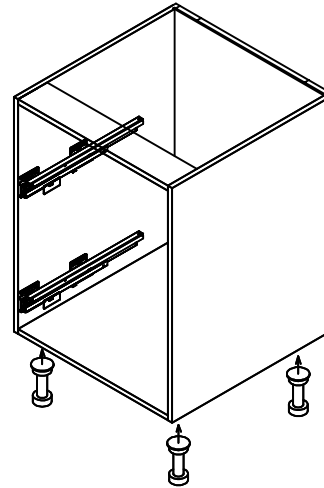
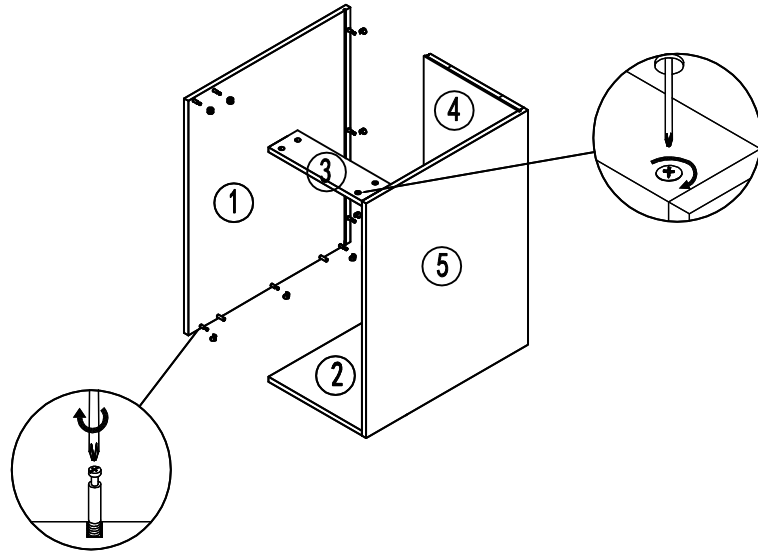
Part	L	W	T	QTY.
1 Left panel	30"	23 7/8"	3/4"	1
2 Bottom panel	23 3/8"	13 1/2"	3/4"	1
3 Panel	13 1/2"	4 1/8"	3/4"	1
4 Back panel	29 3/8"	13 7/8"	7/8"	1
5 Right panel	30"	23 7/8"	3/4"	1
6 Drawer bottom panel	18 3/4"	10 5/8"	5/8"	2
7 Drawer back panel (H)	10 1/8"	7 7/8"	5/8"	2
				total 9

DOOR

8 Drawer front	14 7/8"	14 7/8"	3/4"	2
----------------	---------	---------	------	---

ASSEMBLY INSTRUCTION

DB18-2



DB18-2

PICTURE	ITEM	SPEC	QTY.
	Cam lock	φ15*13	16
	Cam lock screw	φ8*35	16
	Dowel	φ8*35	4
	ABS Leg	4 3/4" ± 3/4"	4
	drawer slide (H)	Length=19 5/8"	2

BOX

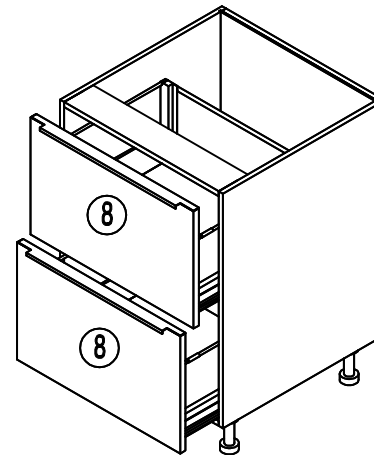
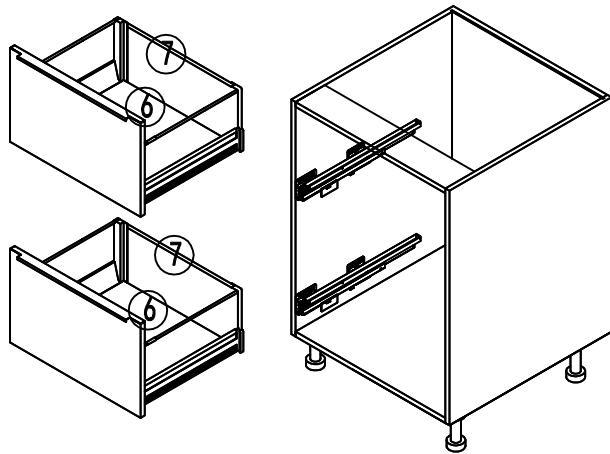
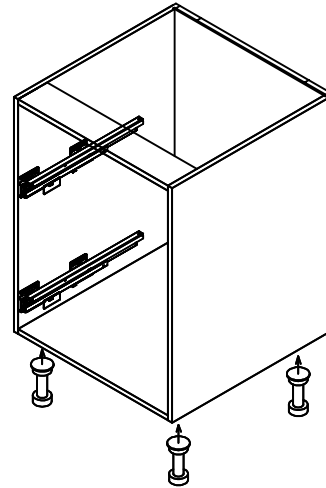
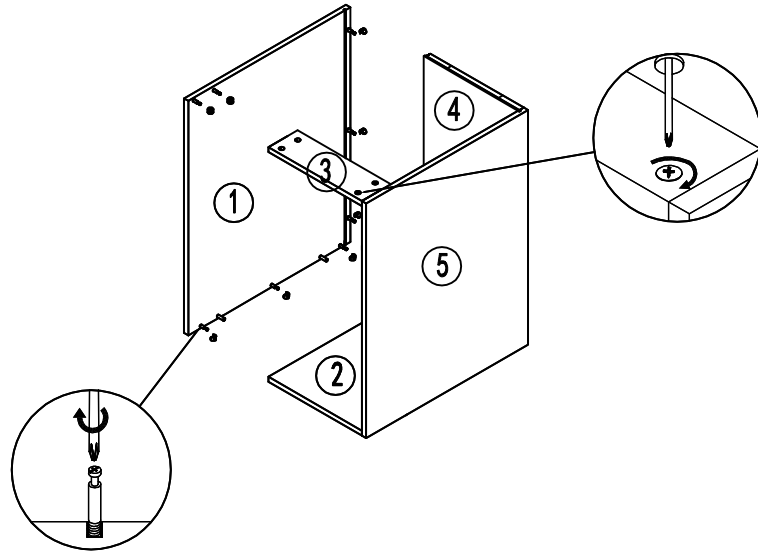
Part	L	W	T	QTY.
1 Left panel	30"	23 7/8"	3/4"	1
2 Bottom panel	23 3/8"	16 1/2"	3/4"	1
3 Panel	16 1/2"	4 1/8"	3/4"	1
4 Back panel	29 3/8"	16 7/8"	7/8"	1
5 Right panel	30"	23 7/8"	3/4"	1
6 Drawer bottom panel	18 3/4"	13 5/8"	5/8"	2
7 Drawer back panel (H)	13 1/8"	7 7/8"	5/8"	2
				total 9

DOOR

8 Drawer front	17 7/8"	14 7/8"	3/4"	2
----------------	---------	---------	------	---

ASSEMBLY INSTRUCTION

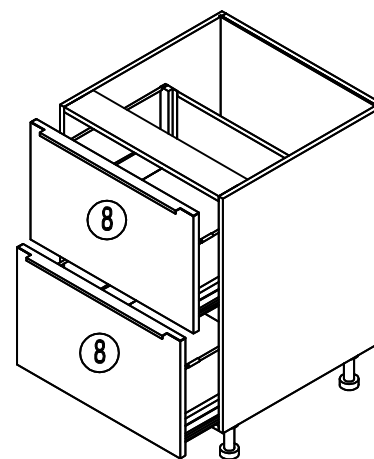
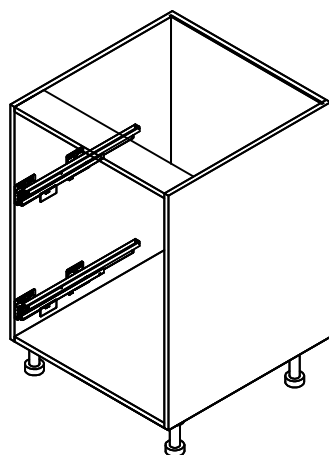
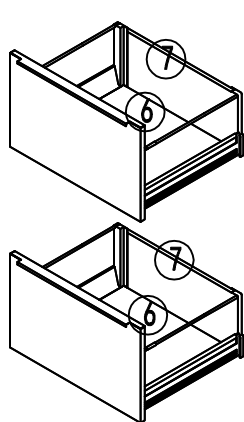
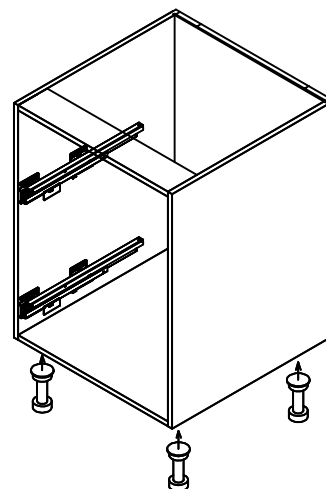
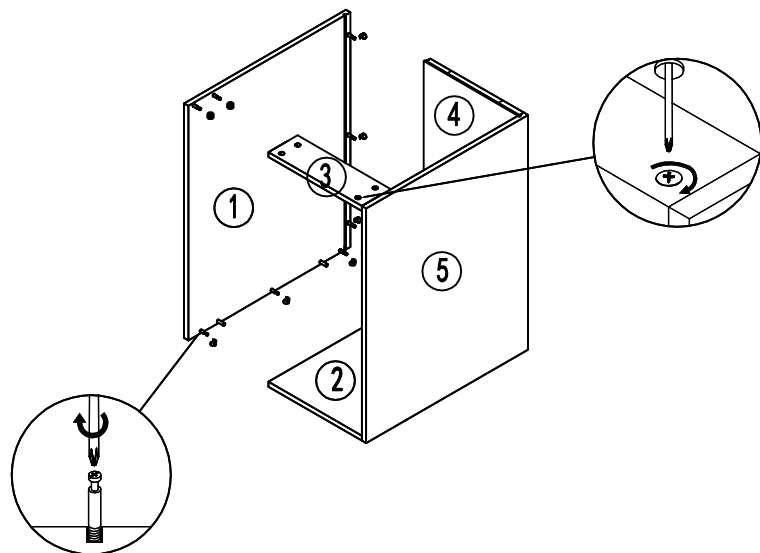
DB21-2



DB21-2				
PICTURE	ITEM	SPEC	QTY.	
	Cam lock	φ15*13	16	
	Cam lock screw	φ8*35	16	
	Dowel	φ8*35	4	
	ABS Leg	4 3/4" ± 3/4"	4	
	drawer slide (H)	Length=19 5/8"	2	
BOX				
Part	L	W	T	QTY.
1 Left panel	30"	23 7/8"	3/4"	1
2 Bottom panel	23 3/8"	19 1/2"	3/4"	1
3 Panel	19 1/2"	4 1/8"	3/4"	1
4 Back panel	29 3/8"	19 7/8"	7/8"	1
5 Right panel	30"	23 7/8"	3/4"	1
6 Drawer bottom panel	18 3/4"	16 5/8"	5/8"	2
7 Drawer back panel (H)	16 1/8"	7 7/8"	5/8"	2
total				9
DOOR				
8 Drawer front	20 7/8"	14 7/8"	3/4"	2

ASSEMBLY INSTRUCTION

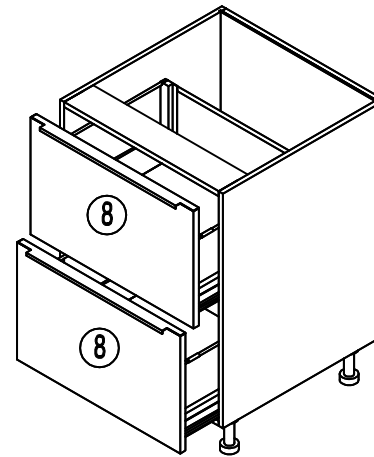
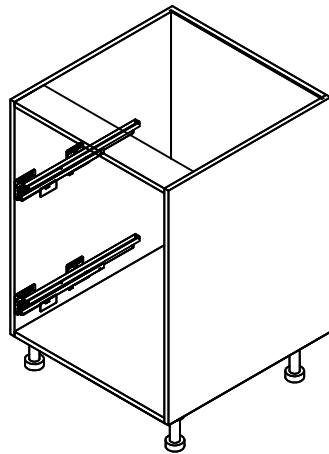
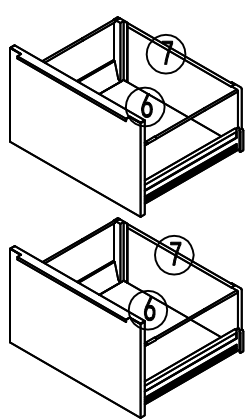
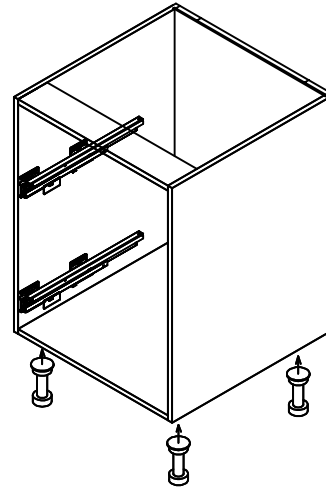
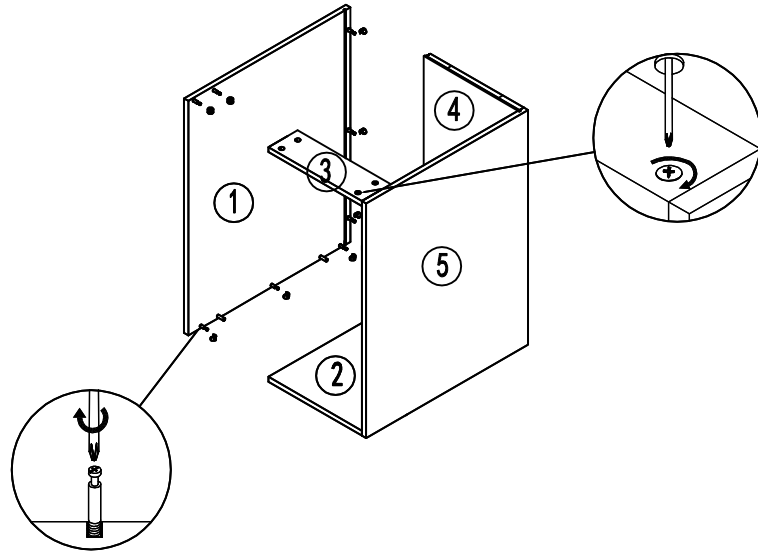
DB24-2



DB24-2				
PICTURE	ITEM	SPEC	QTY.	
	Cam lock	φ15*13	16	
	Cam lock screw	φ8*35	16	
	Dowel	φ8*35	4	
	ABS Leg	4 3/4" ± 3/4"	4	
	drawer slide (H)	Length=19 5/8"	2	
BOX				
Part	L	W	T	QTY.
1 Left panel	30"	23 7/8"	3/4"	1
2 Bottom panel	23 3/8"	22 1/2"	3/4"	1
3 Panel	22 1/2"	4 1/8"	3/4"	1
4 Back panel	29 3/8"	22 7/8"	7/8"	1
5 Right panel	30"	23 7/8"	3/4"	1
6 Drawer bottom panel	18 3/4"	19 5/8"	5/8"	2
7 Drawer back panel (H)	19 1/8"	7 7/8"	5/8"	2
total 9				
DOOR				
8 Drawer front	23 7/8"	14 7/8"	3/4"	2

ASSEMBLY INSTRUCTION

DB27-2



DB27-2

PICTURE	ITEM	SPEC	QTY.
	Cam lock	φ15*13	16
	Cam lock screw	φ8*35	16
	Dowel	φ8*35	4
	ABS Leg	4 3/4" ± 3/4"	4
	drawer slide (H)	Length=19 5/8"	2

BOX

Part	L	W	T	QTY.
1 Left panel	30"	23 7/8"	3/4"	1
2 Bottom panel	23 3/8"	25 1/2"	3/4"	1
3 panel	25 1/2"	4 1/8"	3/4"	1
4 Back panel	29 3/8"	25 7/8"	7/8"	1
5 Right panel	30"	23 7/8"	3/4"	1
6 Drawer bottom panel	18 3/4"	22 5/8"	5/8"	2
7 Drawer back panel (H)	22 1/8"	7 7/8"	5/8"	2
				total 9

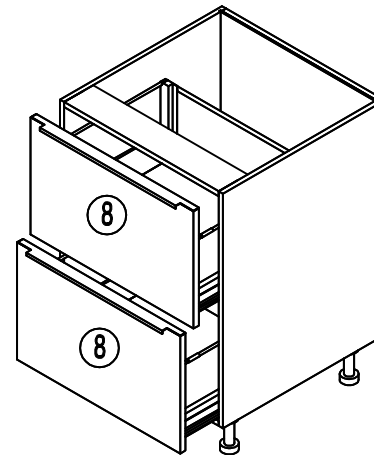
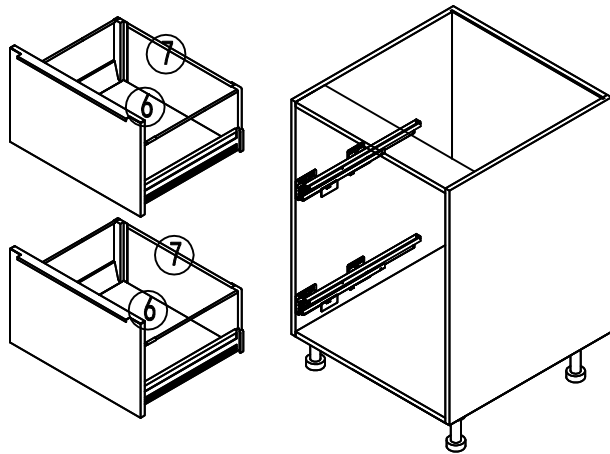
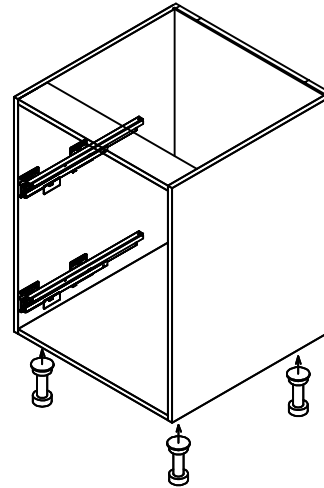
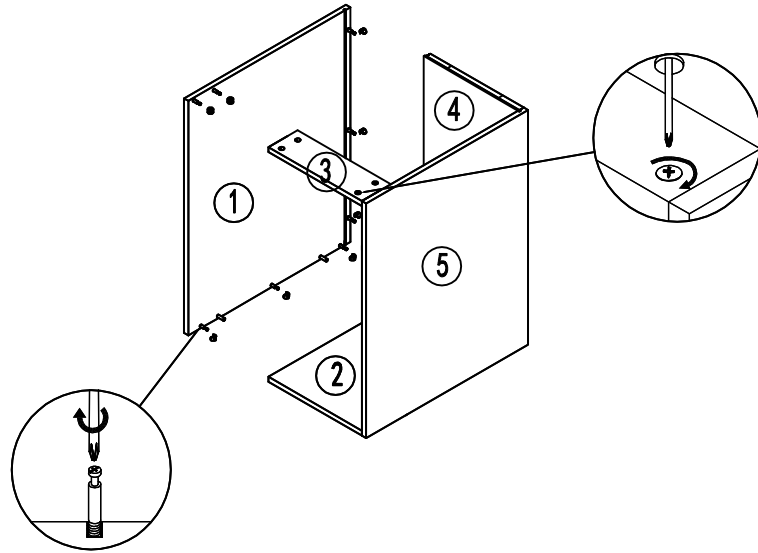
DOOR

8 Drawer front	26 7/8"	14 7/8"	3/4"	2
----------------	---------	---------	------	---

V 2.0

ASSEMBLY INSTRUCTION

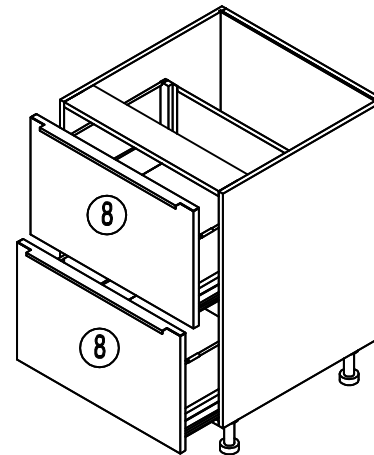
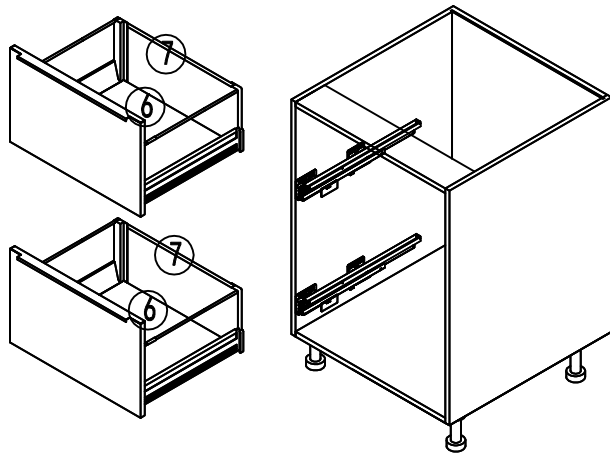
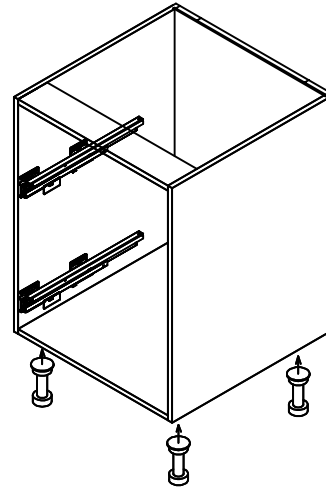
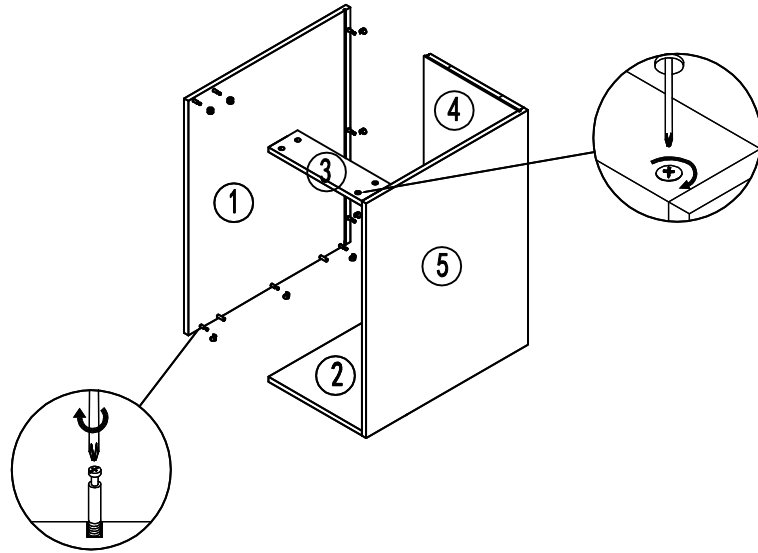
DB30-2



DB30-2				
PICTURE	ITEM	SPEC	QTY.	
	Cam lock	φ15*13	16	
	Cam lock screw	φ8*35	16	
	Dowel	φ8*35	4	
	ABS Leg	4 3/4" ± 3/4"	4	
	drawer slide (H)	Length=19 5/8"	2	
BOX				
Part	L	W	T	QTY.
1 Left panel	30"	23 7/8"	3/4"	1
2 Bottom panel	23 3/8"	28 1/2"	3/4"	1
3 Panel	28 1/2"	4 1/8"	3/4"	1
4 Back panel	29 3/8"	28 7/8"	7/8"	1
5 Right panel	30"	23 7/8"	3/4"	1
6 Drawer bottom panel	18 3/4"	25 5/8"	5/8"	2
7 Drawer back panel (H)	25 1/8"	7 7/8"	5/8"	2
total 9				
DOOR				
8 Drawer front	29 7/8"	14 7/8"	3/4"	2

ASSEMBLY INSTRUCTION

DB33-2



DB33-2

PICTURE	ITEM	SPEC	QTY.
	Cam lock	φ15*13	16
	Cam lock screw	φ8*35	16
	Dowel	φ8*35	4
	ABS Leg	4 3/4" ± 3/4"	4
	drawer slide (H)	Length=19 5/8"	2

BOX

Part	L	W	T	QTY.
1 Left panel	30"	23 7/8"	3/4"	1
2 Bottom panel	23 3/8"	31 1/2"	3/4"	1
3 Panel	31 1/2"	4 1/8"	3/4"	1
4 Back panel	29 3/8"	31 7/8"	7/8"	1
5 Right panel	30"	23 7/8"	3/4"	1
6 Drawer bottom panel	18 3/4"	28 5/8"	5/8"	2
7 Drawer back panel (H)	28 1/8"	7 7/8"	5/8"	2
				total 9

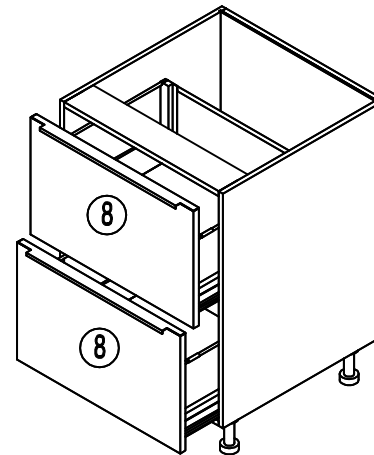
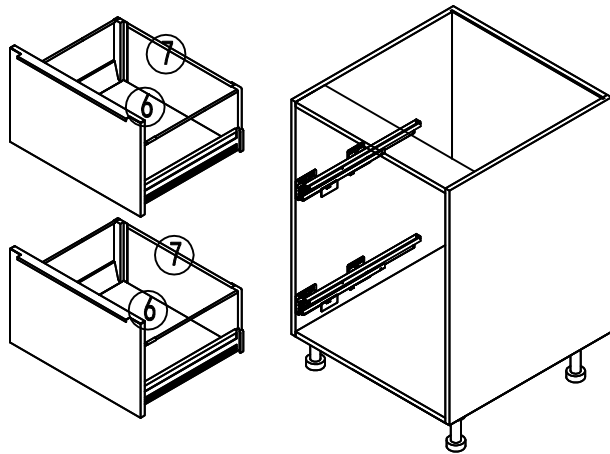
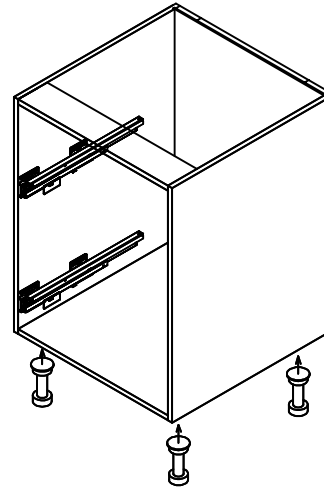
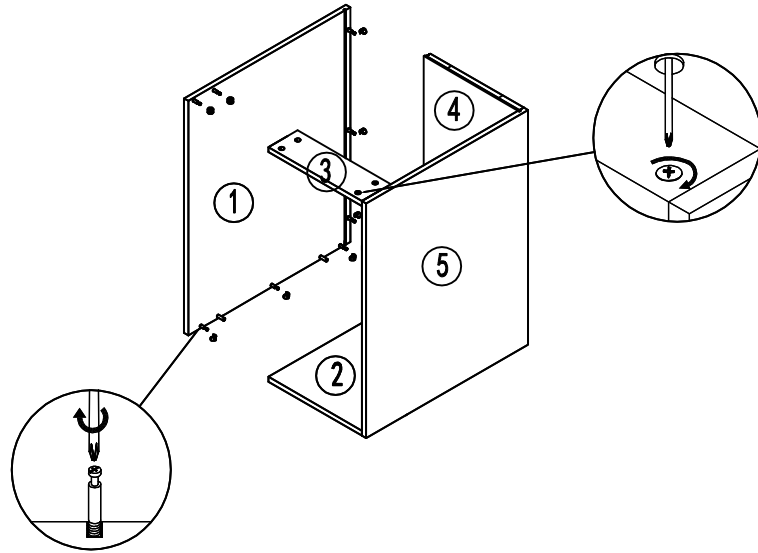
DOOR

8 Drawer front	32 7/8"	14 7/8"	3/4"	2
----------------	---------	---------	------	---

V 2.0

ASSEMBLY INSTRUCTION

DB36-2



DB36-2

PICTURE	ITEM	SPEC	QTY.
	Cam lock	φ15*13	16
	Cam lock screw	φ8*35	16
	Dowel	φ8*35	4
	ABS Leg	4 3/4" ± 3/4"	4
	drawer slide (H)	Length=19 5/8"	2

BOX

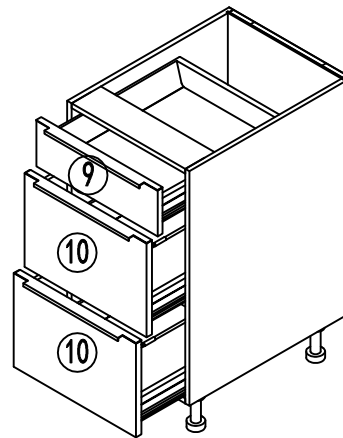
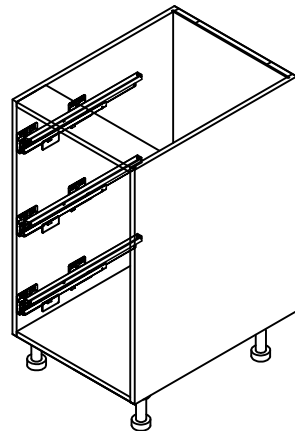
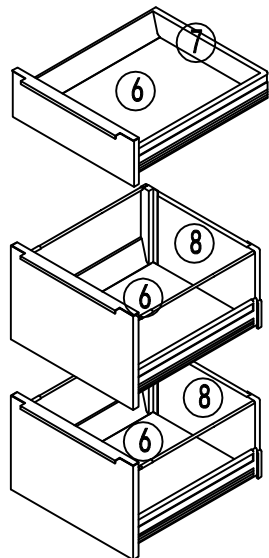
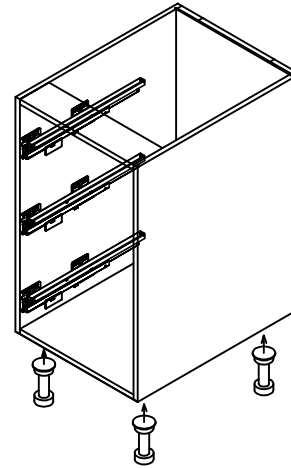
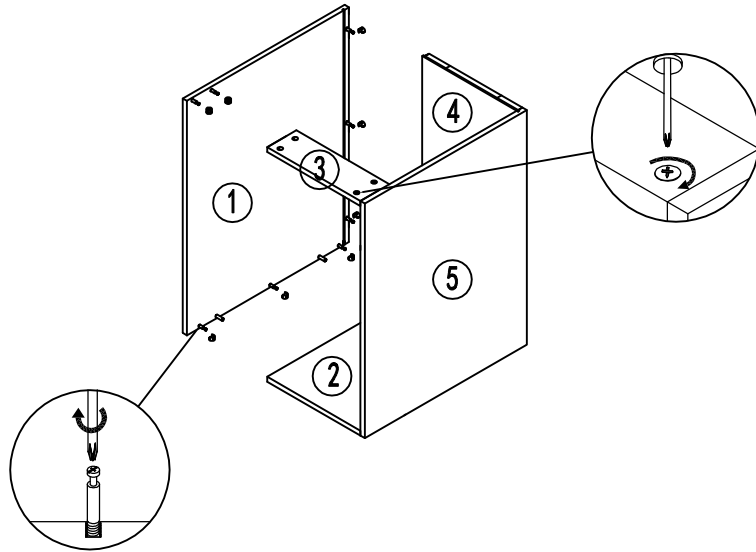
Part	L	W	T	QTY.
1 Left panel	30"	23 7/8"	3/4"	1
2 Bottom panel	23 3/8"	34 1/2"	3/4"	1
3 Panel	34 1/2"	4 1/8"	3/4"	1
4 Back panel	29 3/8"	34 7/8"	7/8"	1
5 Right panel	30"	23 7/8"	3/4"	1
6 Drawer bottom panel	18 3/4"	31 5/8"	5/8"	2
7 Drawer back panel (H)	31 1/8"	7 7/8"	5/8"	2
				total 9

DOOR

8 Drawer front	35 7/8"	14 7/8"	3/4"	2
----------------	---------	---------	------	---

ASSEMBLY INSTRUCTION

DB12-3



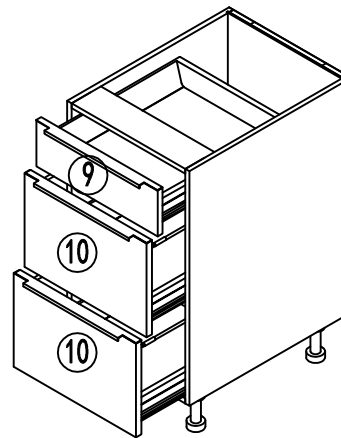
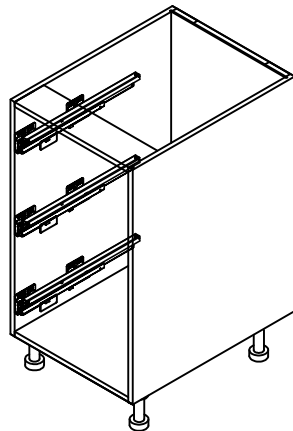
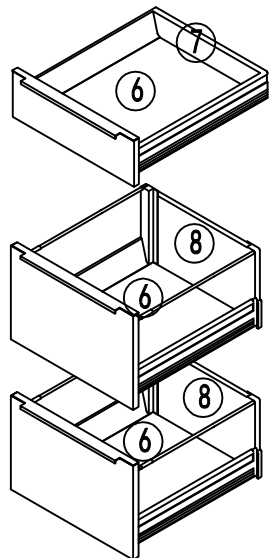
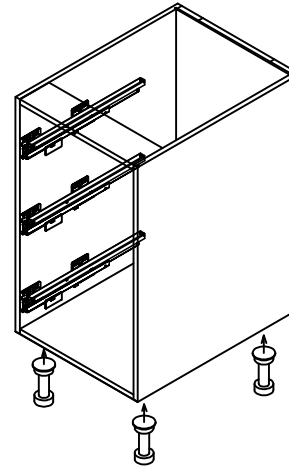
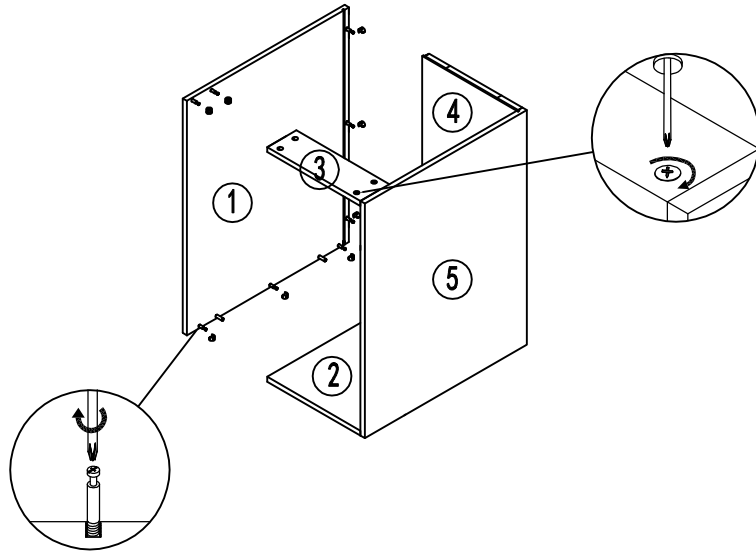
DB12-3

PICTURE	ITEM	SPEC	QTY.		
	Cam lock	φ15*13	16		
	Cam lock screw	φ8*35	16		
	Dowel	φ8*35	4		
	ABS Leg	4 3/4" ± 3/4"	4		
	Drawer slide (N)	Length=19 5/8"	1		
	drawer slide (H)	Length=19 5/8"	2		
BOX					
	Part	L	W	T	QTY.
1	Left panel	30"	23 7/8"	3/4"	1
2	Bottom panel	23 3/8"	10 1/2"	3/4"	1
3	panel	10 1/2"	4 1/8"	3/4"	1
4	Back panel	29 3/8"	10 7/8"	7/8"	1
5	Right panel	30"	23 7/8"	3/4"	1
6	Drawer bottom panel	18 3/4"	7 5/8"	5/8"	3
7	Drawer back panel (N)	7 1/8"	3 1/4"	5/8"	1
8	Drawer back panel (H)	7 1/8"	7 7/8"	5/8"	2
					total 11
DOOR					
9	Drawer front	11 7/8"	5 7/8"	3/4"	1
10	Drawer front	11 7/8"	11 7/8"	3/4"	2

V 2.0

ASSEMBLY INSTRUCTION

DB15-3



DB15-3

PICTURE	ITEM	SPEC	QTY.
	Cam lock	Ø15*13	16
	Cam lock screw	Ø8*35	16
	Dowel	Ø8*35	4
	ABS Leg	4 3/4" ± 3/4"	4
	Drawer slide (N)	Length=19 5/8"	1
	drawer slide (H)	Length=19 5/8"	2

BOX

Part	L	W	T	QTY.
1 Left panel	30"	23 7/8"	3/4"	1
2 Bottom panel	23 3/8"	13 1/2"	3/4"	1
3 Panel	13 1/2"	4 1/8"	3/4"	1
4 Back panel	29 3/8"	13 7/8"	7/8"	1
5 Right panel	30"	23 7/8"	3/4"	1
6 Drawer bottom panel	18 3/4"	10 5/8"	5/8"	3
7 Drawer Back panel (N)	10 1/8"	3 1/4"	5/8"	1
8 Drawer back panel (H)	10 1/8"	7 7/8"	5/8"	2
				total 11

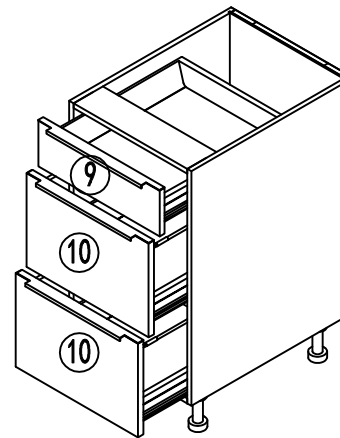
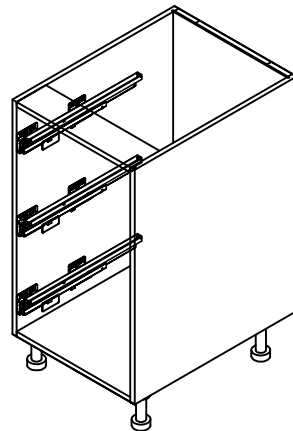
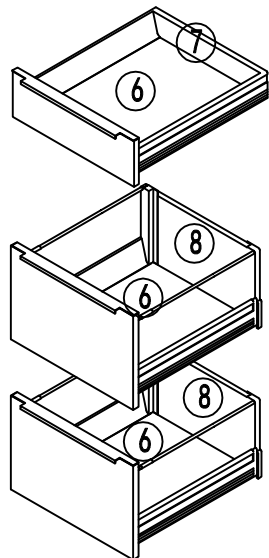
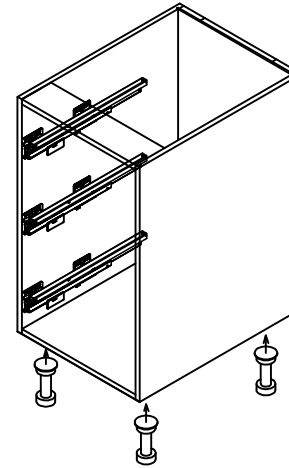
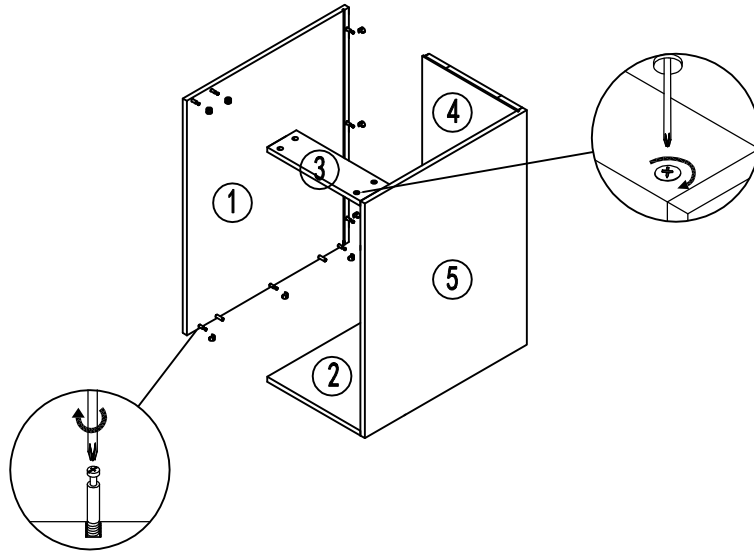
DOOR

9 Drawer front	14 7/8"	5 7/8"	3/4"	1
10 Drawer front	14 7/8"	11 7/8"	3/4"	2

V 2.0

ASSEMBLY INSTRUCTION

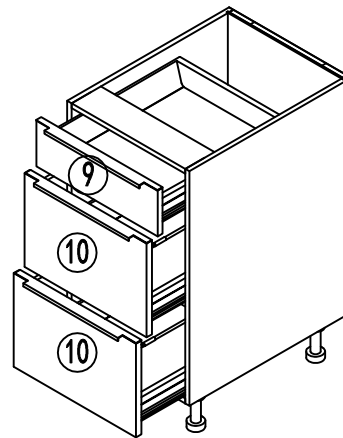
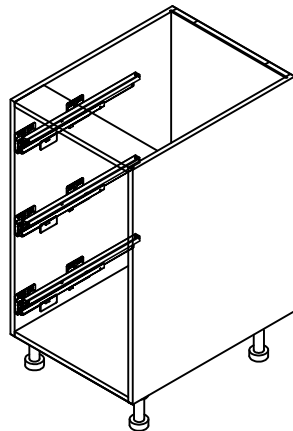
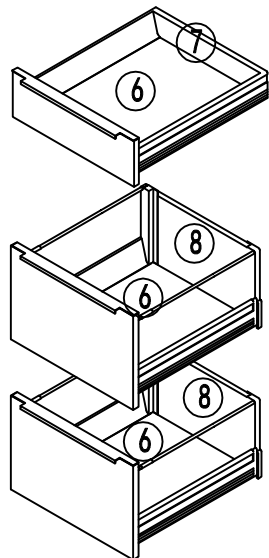
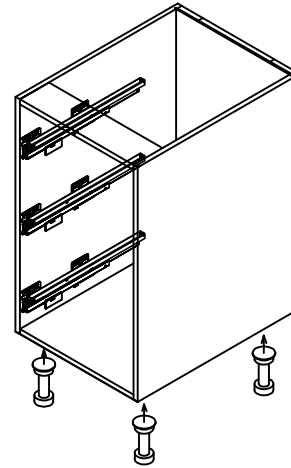
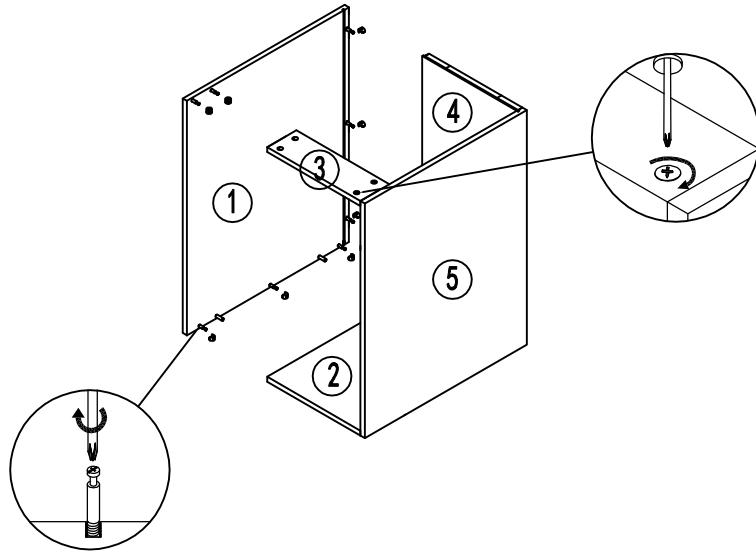
DB18-3



DB18-3					
PICTURE	ITEM	SPEC	QTY.		
	Cam lock	Ø15*13	16		
	Cam lock screw	Ø8*35	16		
	Dowel	Ø8*35	4		
	ABS Leg	4 3/4" ± 3/4"	4		
	Drawer slide (N)	Length=19 5/8"	1		
	drawer slide (H)	Length=19 5/8"	2		
BOX					
Part	L	W	T	QTY.	
1	Left panel	30"	23 7/8"	3/4"	1
2	Bottom panel	23 3/8"	16 1/2"	3/4"	1
3	panel	16 1/2"	4 1/8"	3/4"	1
4	Back panel	29 3/8"	16 7/8"	7/8"	1
5	Right panel	30"	23 7/8"	3/4"	1
6	Drawer bottom panel	18 3/4"	13 5/8"	5/8"	3
7	Drawer back panel (N)	13 1/8"	3 1/4"	5/8"	1
8	Drawer back panel (H)	13 1/8"	7 7/8"	5/8"	2
total				11	
DOOR					
9	Drawer front	17 7/8"	5 7/8"	3/4"	1
10	Drawer front	17 7/8"	11 7/8"	3/4"	2

ASSEMBLY INSTRUCTION

DB21-3



DB21-3

PICTURE	ITEM	SPEC	QTY.
	Cam lock	Ø15*13	16
	Cam lock screw	Ø8*35	16
	Dowel	Ø8*35	4
	ABS Leg	4 3/4" ± 3/4"	4
	Drawer slide (N)	Length=19 5/8"	1
	drawer slide (H)	Length=19 5/8"	2

BOX

Part	L	W	T	QTY.
1 Left panel	30"	23 7/8"	3/4"	1
2 Bottom panel	23 3/8"	19 1/2"	3/4"	1
3 panel	19 1/2"	4 1/8"	3/4"	1
4 Back panel	29 3/8"	19 7/8"	7/8"	1
5 Right panel	30"	23 7/8"	3/4"	1
6 Drawer bottom panel	18 3/4"	16 5/8"	5/8"	3
7 Drawer back panel (N)	16 1/8"	3 1/4"	5/8"	1
8 Drawer back panel (H)	16 1/8"	7 7/8"	5/8"	2
				total 11

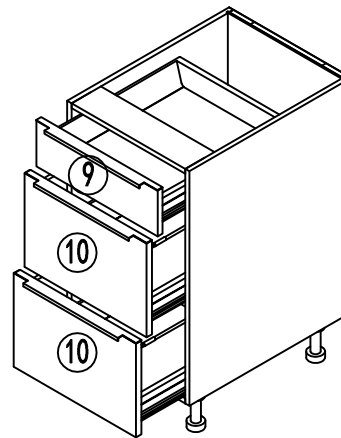
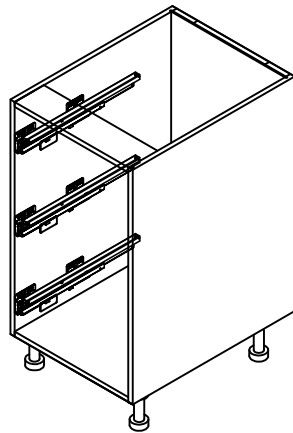
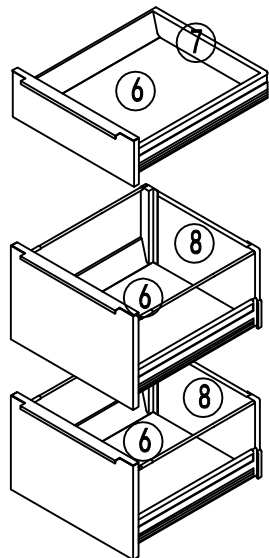
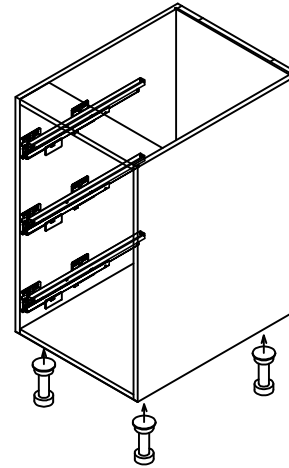
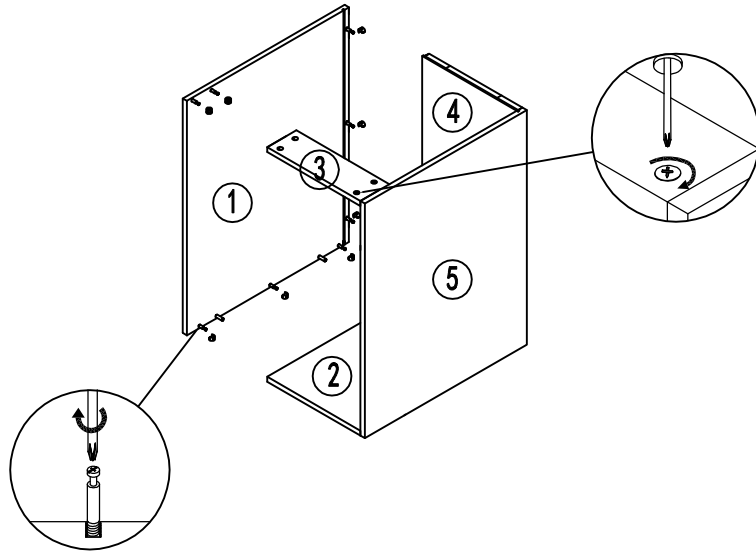
DOOR

9 Drawer front	20 7/8"	5 7/8"	3/4"	1
10 Drawer front	20 7/8"	11 7/8"	3/4"	2

V 2.0

ASSEMBLY INSTRUCTION

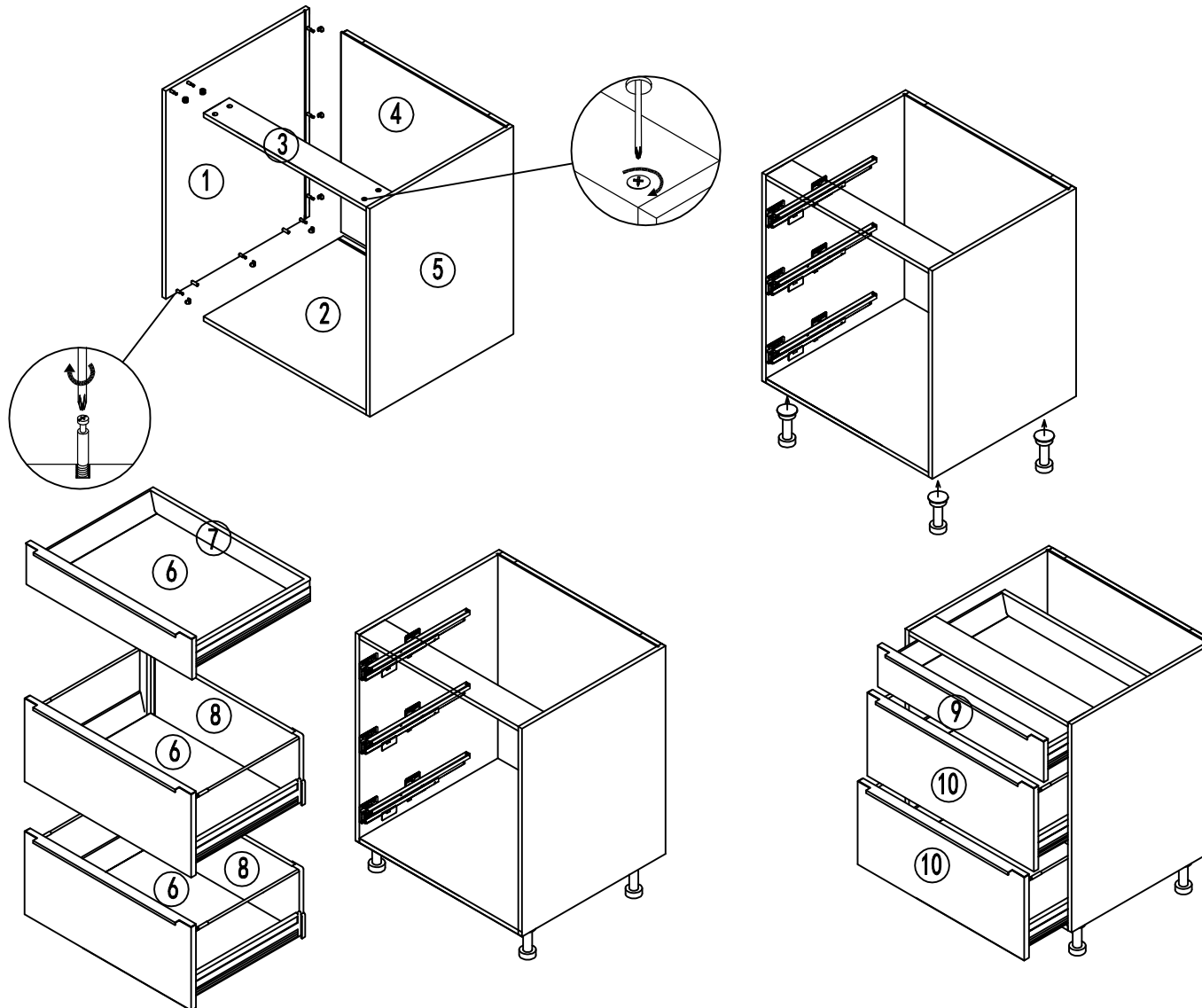
DB24-3



DB24-3					
PICTURE	ITEM	SPEC	QTY.		
	Cam lock	φ15*13	16		
	Cam lock screw	φ8*35	16		
	Dowel	φ8*35	4		
	ABS Leg	4 3/4" ± 3/4"	4		
	Drawer slide (N)	Length=19 5/8"	1		
	Drawer slide (H)	Length=19 5/8"	2		
BOX					
Part	L	W	T	QTY.	
1	Left panel	30"	23 7/8"	3/4"	1
2	Bottom panel	23 3/8"	22 1/2"	3/4"	1
3	panel	22 1/2"	4 1/8"	3/4"	1
4	Back panel	29 3/8"	22 7/8"	7/8"	1
5	Right panel	30"	23 7/8"	3/4"	1
6	Drawer bottom panel	18 3/4"	19 5/8"	5/8"	3
7	Drawer back panel (N)	19 1/8"	3 1/4"	5/8"	1
8	Drawer back panel (H)	19 1/8"	7 7/8"	5/8"	2
total				11	
DOOR					
9	Drawer front	23 7/8"	5 7/8"	3/4"	1
10	Drawer front	23 7/8"	11 7/8"	3/4"	2

ASSEMBLY INSTRUCTION

DB27-3



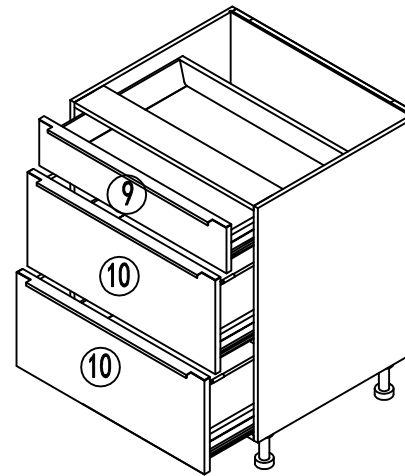
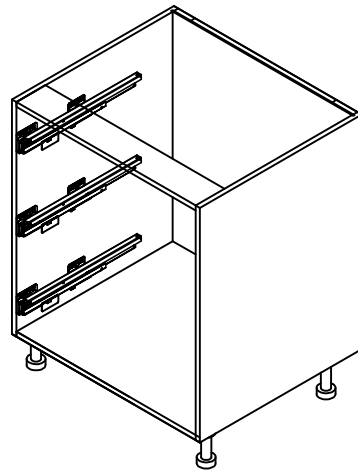
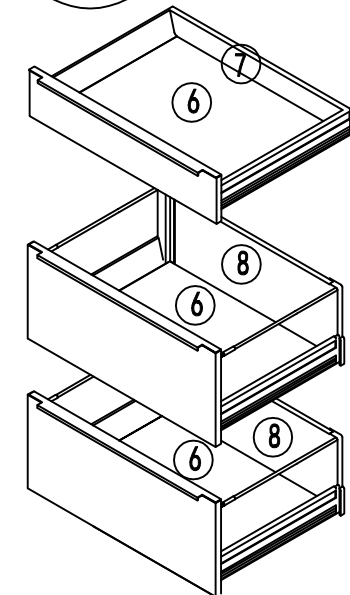
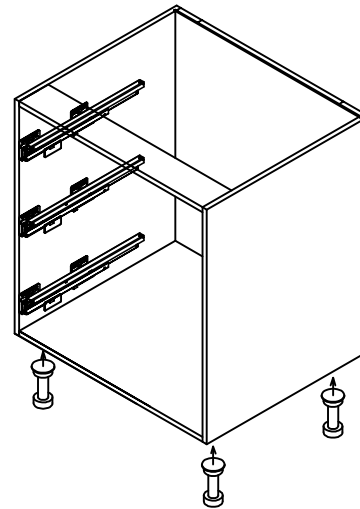
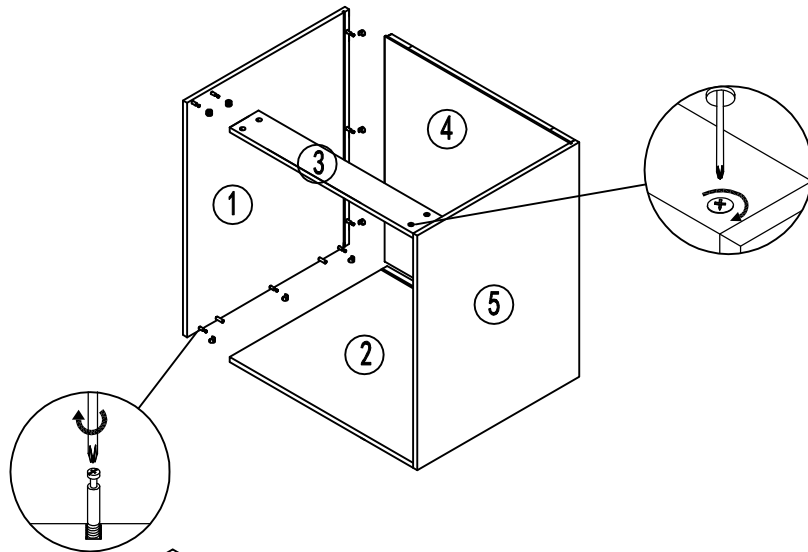
DB27-3

PICTURE	ITEM	SPEC	QTY.		
	Cam lock	Ø15*13	16		
	Cam lock screw	Ø8*35	16		
	Dowel	Ø8*35	4		
	ABS Leg	4 3/4" ± 3/4"	4		
	Drawer slide (N)	Length=19 5/8"	1		
	drawer slide (H)	Length=19 5/8"	2		
BOX					
	Part	L	W	T	QTY.
1	Left panel	30"	23 7/8"	3/4"	1
2	Bottom panel	23 3/8"	25 1/2"	3/4"	1
3	panel	25 1/2"	4 1/8"	3/4"	1
4	Back panel	29 3/8"	25 7/8"	7/8"	1
5	Right panel	30"	23 7/8"	3/4"	1
6	Drawer bottom panel	18 3/4"	22 5/8"	5/8"	3
7	Drawer back panel (N)	22 1/8"	3 1/4"	5/8"	1
8	Drawer back panel (H)	22 1/8"	7 7/8"	5/8"	2
					total 11
DOOR					
9	Drawer front	26 7/8"	5 7/8"	3/4"	1
10	Drawer front	26 7/8"	11 7/8"	3/4"	2

V 2.0

ASSEMBLY INSTRUCTION

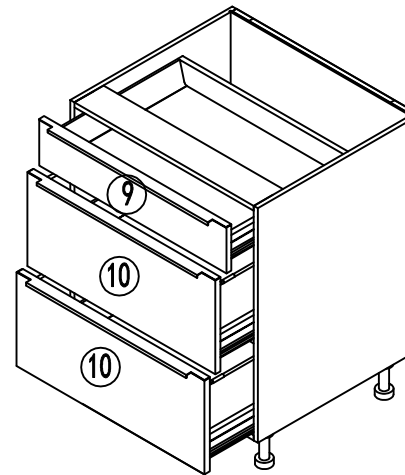
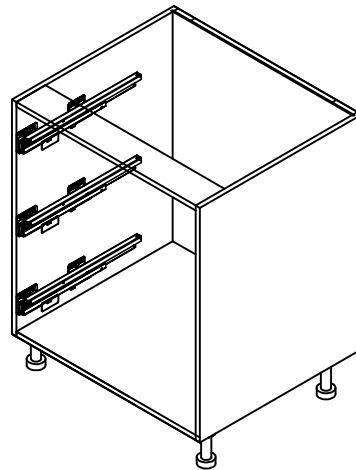
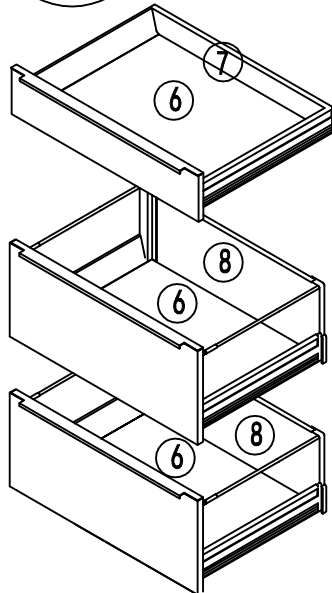
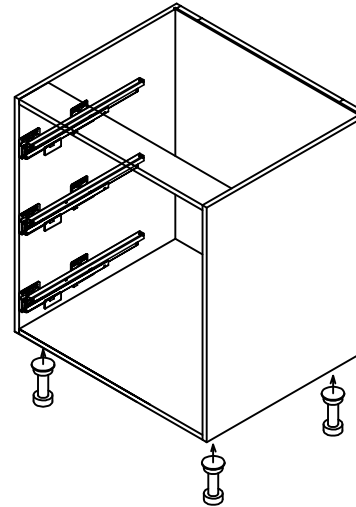
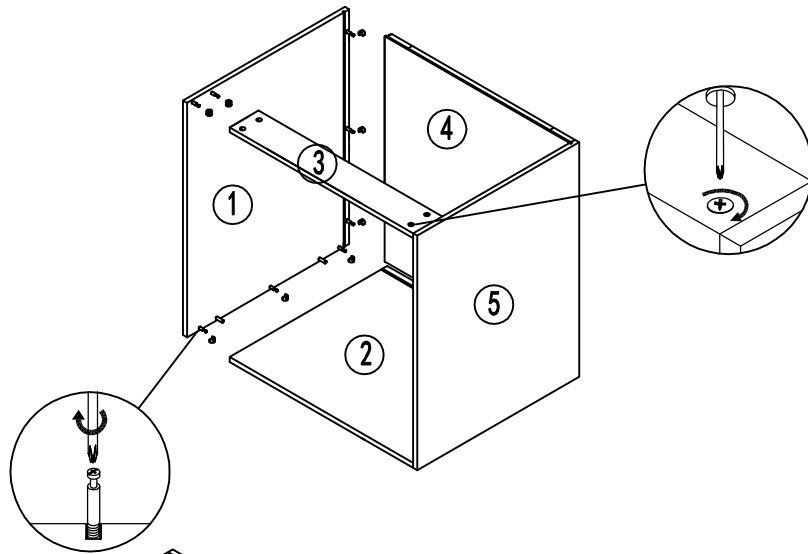
DB30-3



DB30-3				
PICTURE	ITEM	SPEC	QTY.	
	Cam lock	φ15*13	16	
	Cam lock screw	φ8*35	16	
	Dowel	φ8*35	4	
	ABS Leg	4 3/4" ± 3/4"	4	
	Drawer slide (N)	Length=19 5/8"	1	
	drawer slide (H)	Length=19 5/8"	2	
BOX				
Part	L	W	T	QTY.
1 Left panel	30"	23 7/8"	3/4"	1
2 Bottom panel	23 3/8"	28 1/2"	3/4"	1
3 panel	28 1/2"	4 1/8"	3/4"	1
4 Back panel	29 3/8"	29"	1/4"	1
5 Right panel	30"	23 7/8"	3/4"	1
6 Drawer bottom panel	18 3/4"	25 5/8"	5/8"	3
7 Drawer back panel (N)	25 1/8"	3 1/4"	5/8"	1
8 Drawer back panel (H)	25 1/8"	7 7/8"	5/8"	2
total 11				
DOOR				
9 Drawer front	29 7/8"	5 7/8"	3/4"	1
10 Drawer front	29 7/8"	11 7/8"	3/4"	2

ASSEMBLY INSTRUCTION

DB33-3



DB33-3

PICTURE	ITEM	SPEC	QTY.
	Cam lock	Ø15*13	16
	Cam lock screw	Ø8*35	16
	Dowel	Ø8*35	4
	ABS Leg	4 3/4" ± 3/4"	4
	Drawer slide (N)	Length=19 5/8"	1
	drawer slide (H)	Length=19 5/8"	2

BOX

Part	L	W	T	QTY.
1 Left panel	30"	23 7/8"	3/4"	1
2 Bottom panel	23 3/8"	31 1/2"	3/4"	1
3 Panel	31 1/2"	4 1/8"	3/4"	1
4 Back panel	29 3/8"	31 7/8"	7/8"	1
5 Right panel	30"	23 7/8"	3/4"	1
6 Drawer bottom panel	18 3/4"	28 5/8"	5/8"	3
7 Drawer back panel (N)	28 1/8"	3 1/4"	5/8"	1
8 Drawer back panel (H)	28 1/8"	7 7/8"	5/8"	2
				total 11

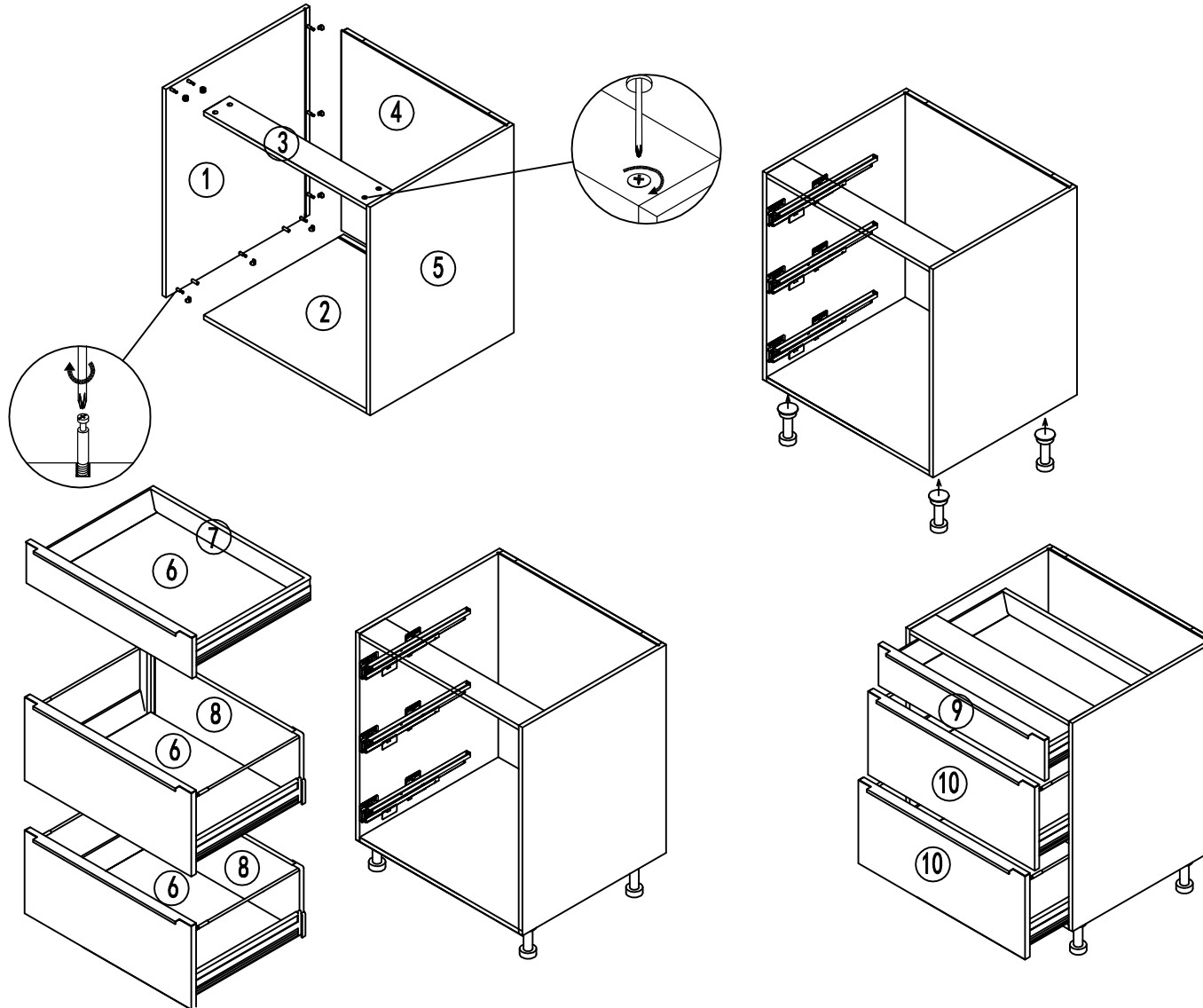
DOOR

9 Drawer front	32 7/8"	5 7/8"	3/4"	1
10 Drawer front	32 7/8"	11 7/8"	3/4"	2

V 2.0

ASSEMBLY INSTRUCTION

DB36-3



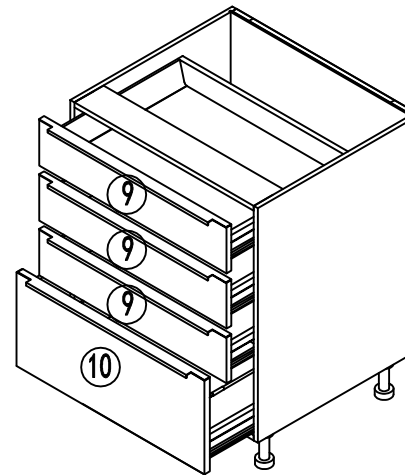
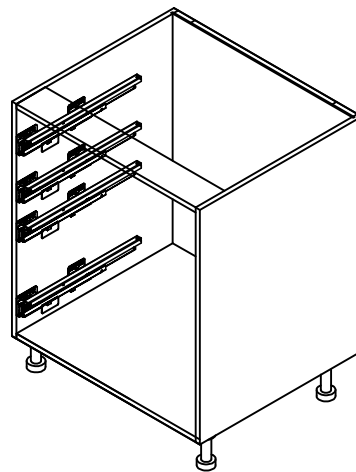
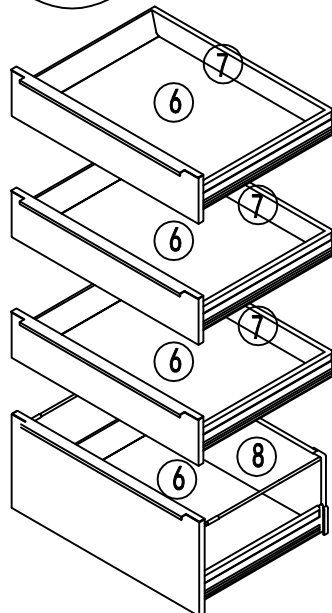
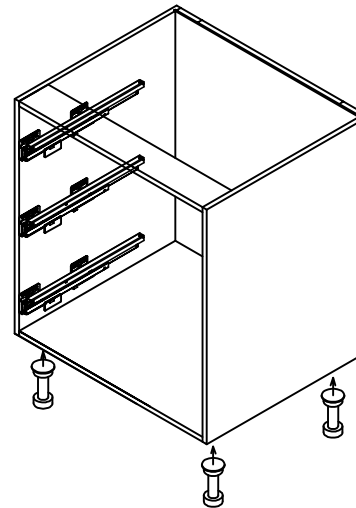
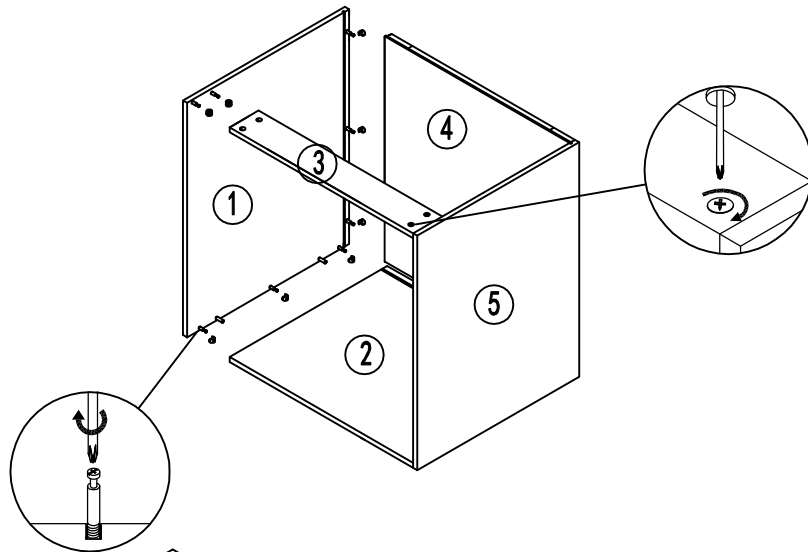
DB36-3

PICTURE	ITEM	SPEC	QTY.		
	Cam lock	Ø15*13	16		
	Cam lock screw	Ø8*35	16		
	Dowel	Ø8*35	4		
	ABS Leg	4 3/4" ± 3/4"	4		
	Drawer slide (N)	Length=19 5/8"	1		
	drawer slide (H)	Length=19 5/8"	2		
BOX					
Part	L	W	T	QTY.	
1	Left panel	30"	23 7/8"	3/4"	1
2	Bottom panel	23 3/8"	34 1/2"	3/4"	1
3	Panel	34 1/2"	4 1/8"	3/4"	1
4	Back panel	29 3/8"	34 7/8"	7/8"	1
5	Right panel	30"	23 7/8"	3/4"	1
6	Drawer bottom panel	18 3/4"	31 5/8"	5/8"	3
7	Drawer back panel (N)	31 1/8"	3 1/4"	5/8"	1
8	Drawer back panel (H)	31 1/8"	7 7/8"	5/8"	2
total				11	
DOOR					
9	Drawer front	35 7/8"	5 7/8"	3/4"	1
10	Drawer front	35 7/8"	11 7/8"	3/4"	2

V 2.0

ASSEMBLY INSTRUCTION

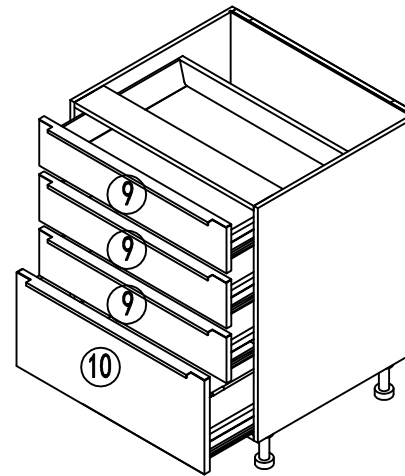
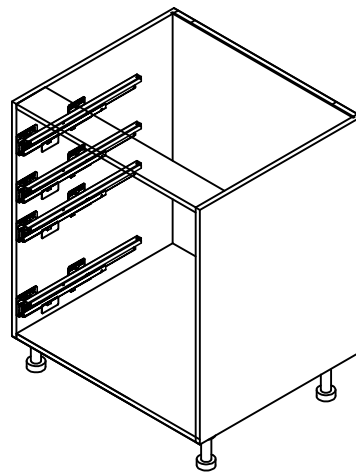
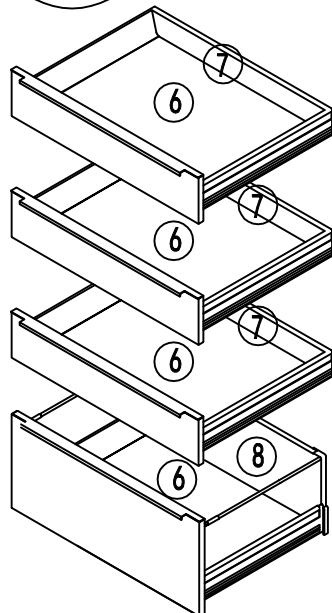
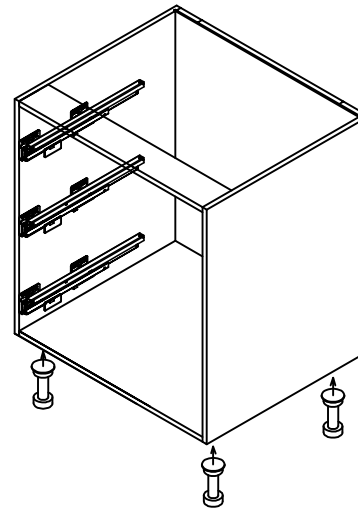
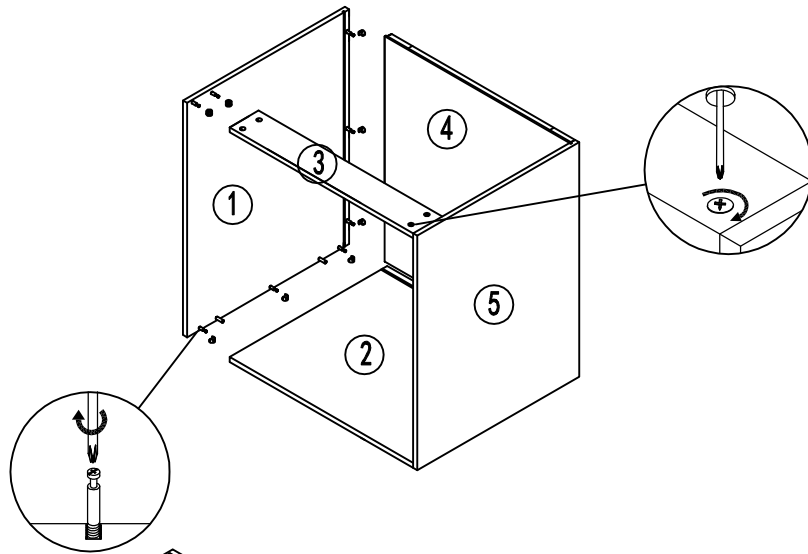
DB12-4



DB12-4					
PICTURE	ITEM	SPEC	QTY.		
	Cam lock	Ø15*13	16		
	Cam lock screw	Ø8*35	16		
	Dowel	Ø8*35	4		
	ABS Leg	4 3/4" ± 3/4"	4		
	Drawer slide (N)	Length=19 5/8"	3		
	drawer slide (H)	Length=19 5/8"	1		
BOX					
Part	L	W	T	QTY.	
1	Left panel	30"	23 7/8"	3/4"	1
2	Bottom panel	23 3/8"	10 1/2"	3/4"	1
3	panel	10 1/2"	4 1/8"	3/4"	1
4	Back panel	29 3/8"	10 7/8"	7/8"	1
5	Right panel	30"	23 7/8"	3/4"	1
6	Drawer bottom panel	18 3/4"	7 5/8"	5/8"	4
7	Drawer back panel (N)	7 1/8"	3 1/4"	5/8"	3
8	Drawer back panel (H)	7 1/8"	7 7/8"	5/8"	1
total				13	
DOOR					
9	Drawer front	11 7/8"	5 7/8"	3/4"	3
10	Drawer front	11 7/8"	11 7/8"	3/4"	1

ASSEMBLY INSTRUCTION

DB15-4



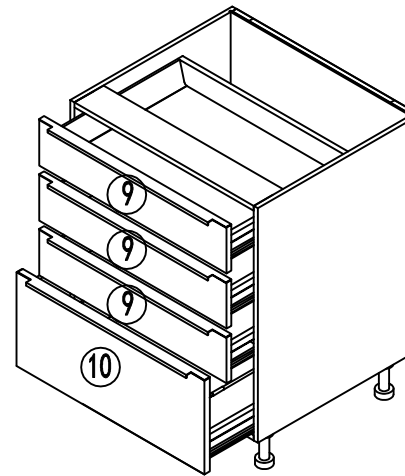
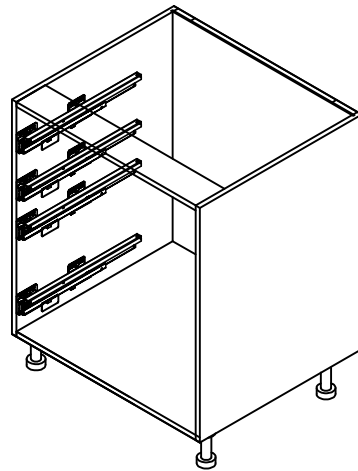
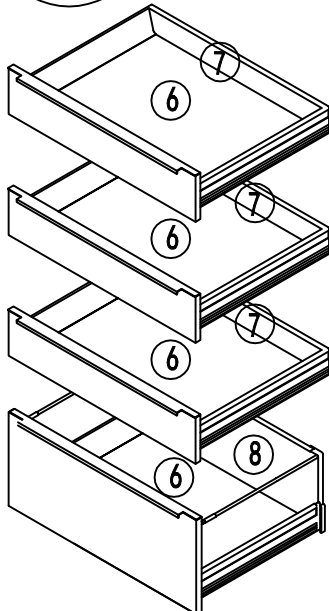
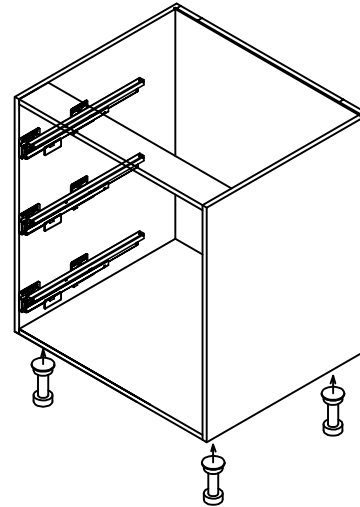
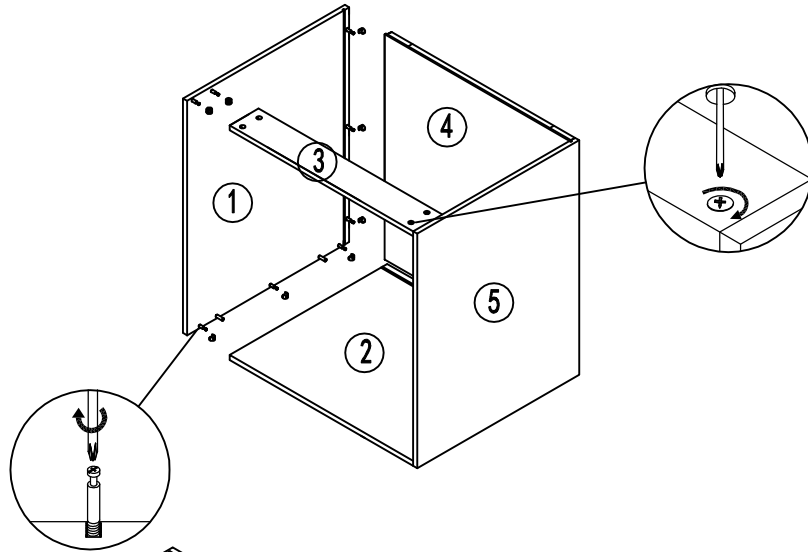
DB15-4

PICTURE	ITEM	SPEC	QTY.		
	Cam lock	Ø15*13	16		
	Cam lock screw	Ø8*35	16		
	Dowel	Ø8*35	4		
	ABS Leg	4 3/4" ± 3/4"	4		
	Drawer slide (N)	Length=19 5/8"	3		
	drawer slide (H)	Length=19 5/8"	1		
BOX					
	Part	L	W	T	QTY.
1	Left panel	30"	23 7/8"	3/4"	1
2	Bottom panel	23 3/8"	13 1/2"	3/4"	1
3	panel	13 1/2"	4 1/8"	3/4"	1
4	Back panel	29 3/8"	13 7/8"	7/8"	1
5	Right panel	30"	23 7/8"	3/4"	1
6	Drawer bottom panel	18 3/4"	10 5/8"	5/8"	4
7	Drawer back panel (N)	10 1/8"	3 1/4"	5/8"	3
8	Drawer back panel (H)	10 1/8"	7 7/8"	5/8"	1
					total 13
DOOR					
9	Drawer front	14 7/8"	5 7/8"	3/4"	3
10	Drawer front	14 7/8"	11 7/8"	3/4"	1

V 2.0

ASSEMBLY INSTRUCTION

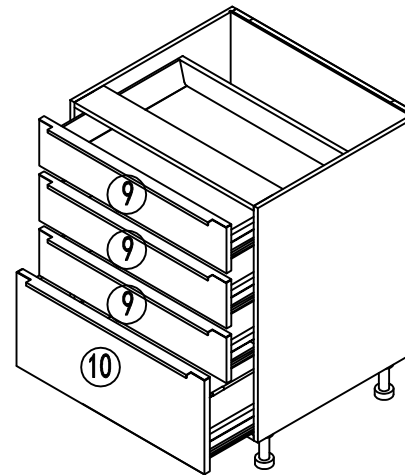
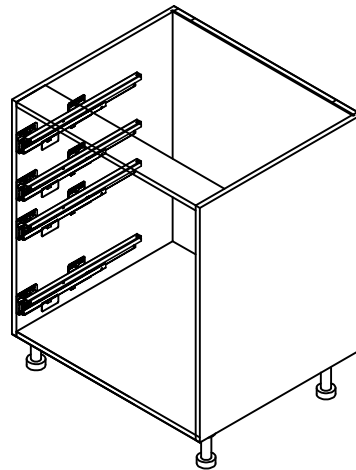
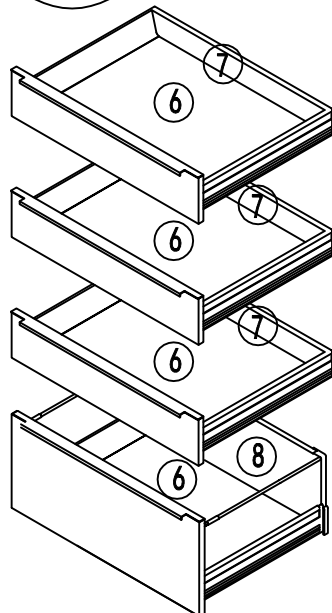
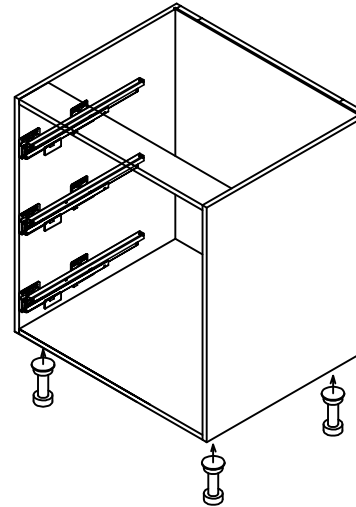
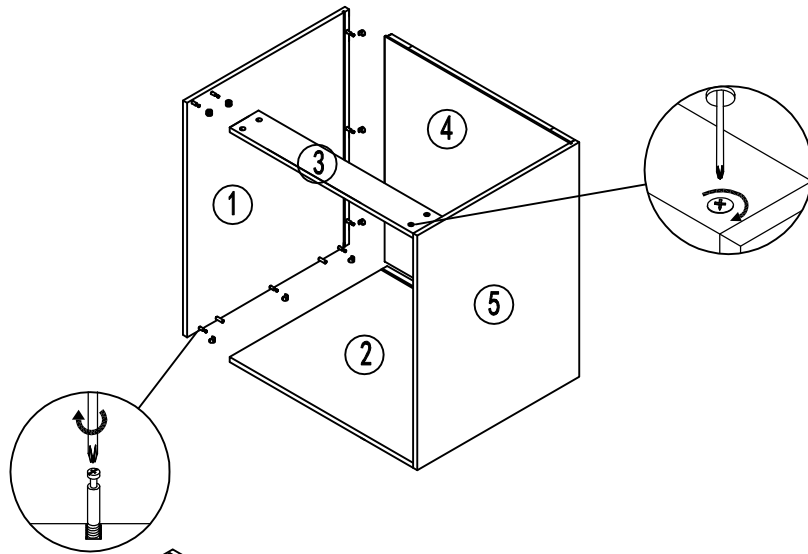
DB18-4



DB18-4					
PICTURE	ITEM	SPEC	QTY.		
	Cam lock	Ø15*13	16		
	Cam lock screw	Ø8*35	16		
	Dowel	Ø8*35	4		
	ABS Leg	4 3/4" ± 3/4"	4		
	Drawer slide (N)	Length=19 5/8"	3		
	drawer slide (H)	Length=19 5/8"	1		
BOX					
Part	L	W	T	QTY.	
1	Left panel	30"	23 7/8"	3/4"	1
2	Bottom panel	23 3/8"	16 1/2"	3/4"	1
3	panel	16 1/2"	4 1/8"	3/4"	1
4	Back panel	29 3/8"	16 7/8"	7/8"	1
5	Right panel	30"	23 7/8"	3/4"	1
6	Drawer bottom panel	18 3/4"	13 5/8"	5/8"	4
7	Drawer back panel (N)	13 1/8"	3 1/4"	5/8"	3
8	Drawer back panel (H)	13 1/8"	7 7/8"	5/8"	1
total				13	
DOOR					
9	Drawer front	17 7/8"	5 7/8"	3/4"	3
10	Drawer front	17 7/8"	11 7/8"	3/4"	1

ASSEMBLY INSTRUCTION

DB21-4



DB21-4

PICTURE	ITEM	SPEC	QTY.
	Cam lock	Ø15*13	16
	Cam lock screw	Ø8*35	16
	Dowel	Ø8*35	4
	ABS Leg	4 3/4" ± 3/4"	4
	Drawer slide (N)	Length=19 5/8"	3
	drawer slide (H)	Length=19 5/8"	1

BOX

Part	L	W	T	QTY.
1 Left panel	30"	23 7/8"	3/4"	1
2 Bottom panel	23 3/8"	19 1/2"	3/4"	1
3 panel	19 1/2"	4 1/8"	3/4"	1
4 Back panel	29 3/8"	19 7/8"	7/8"	1
5 Right panel	30"	23 7/8"	3/4"	1
6 Drawer bottom panel	18 3/4"	16 5/8"	5/8"	4
7 Drawer back panel (N)	16 1/8"	3 1/4"	5/8"	3
8 Drawer back panel (H)	16 1/8"	7 7/8"	5/8"	1
				total 13

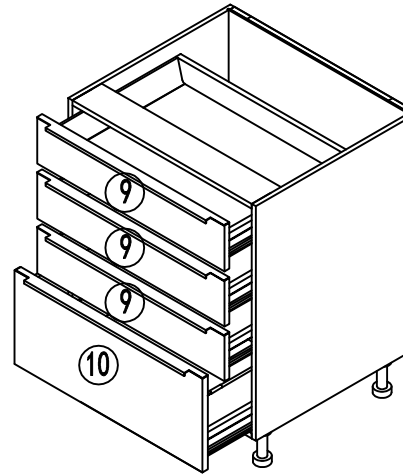
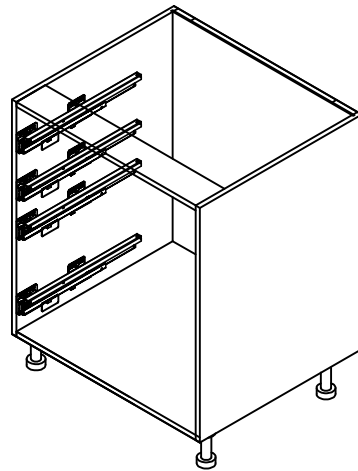
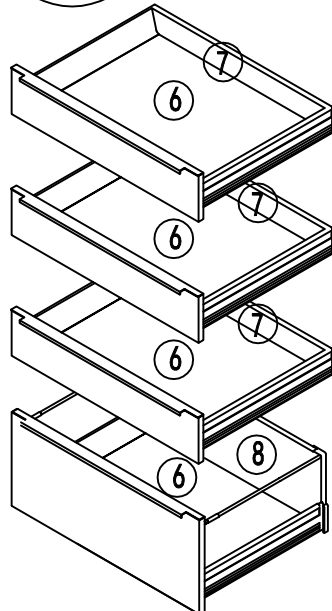
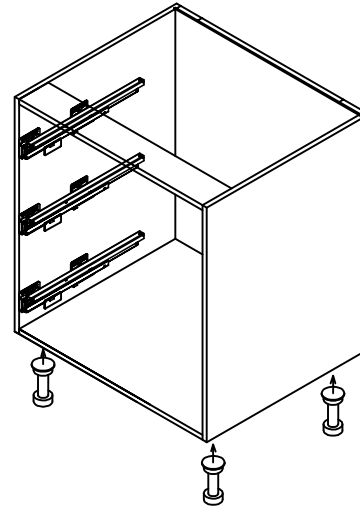
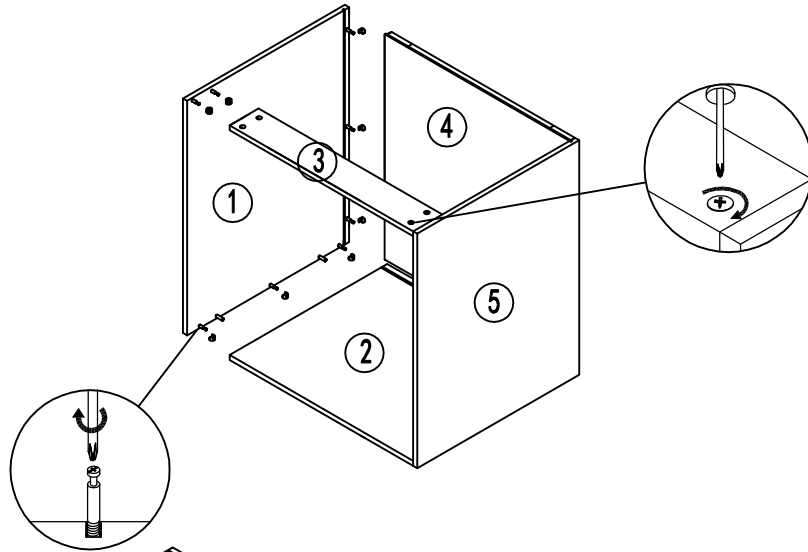
DOOR

9 Drawer front	20 7/8"	5 7/8"	3/4"	3
10 Drawer front	20 7/8"	11 7/8"	3/4"	1

V 2.0

ASSEMBLY INSTRUCTION

DB24-4



DB24-4

PICTURE	ITEM	SPEC	QTY.
	Cam lock	Ø15*13	16
	Cam lock screw	Ø8*35	16
	Dowel	Ø8*35	4
	ABS Leg	4 3/4" ± 3/4"	4
	Drawer slide (N)	Length=19 5/8"	3
	drawer slide (H)	Length=19 5/8"	1

BOX

Part	L	W	T	QTY.
1 Left panel	30"	23 7/8"	3/4"	1
2 Bottom panel	23 3/8"	22 1/2"	3/4"	1
3 panel	22 1/2"	4 1/8"	3/4"	1
4 Back panel	29 3/8"	22 7/8"	7/8"	1
5 Right panel	30"	23 7/8"	3/4"	1
6 Drawer bottom panel	18 3/4"	19 5/8"	5/8"	4
7 Drawer back panel (N)	19 1/8"	3 1/4"	5/8"	3
8 Drawer back panel (H)	19 1/8"	7 7/8"	5/8"	1
				total 13

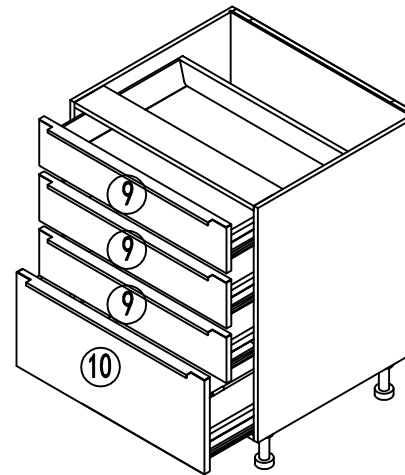
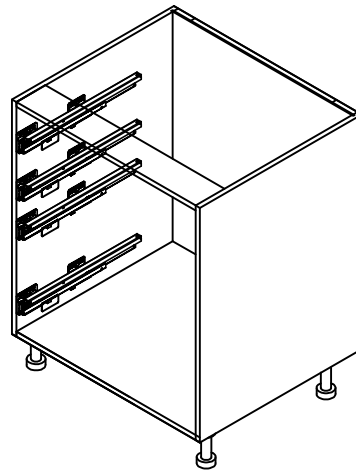
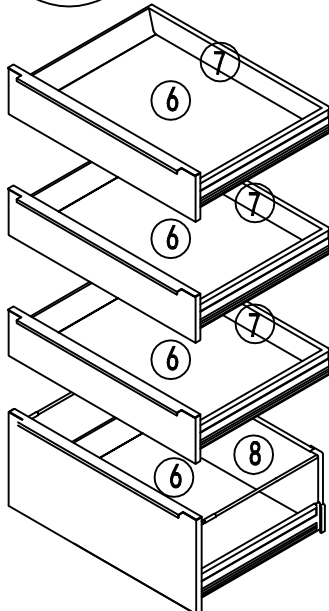
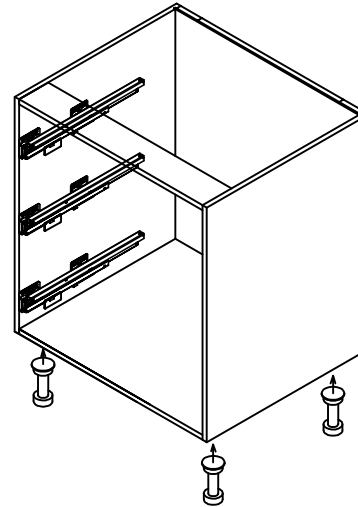
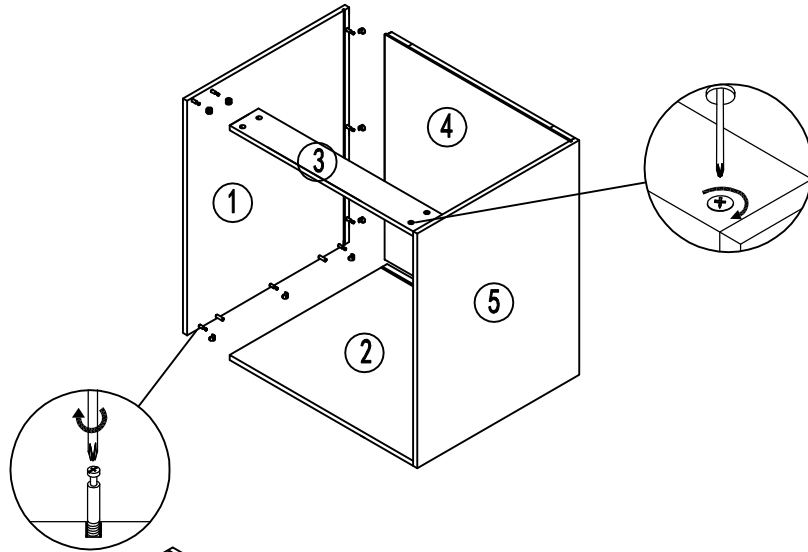
DOOR

9 Drawer front	23 7/8"	5 7/8"	3/4"	3
10 Drawer front	23 7/8"	11 7/8"	3/4"	1

V 2.0

ASSEMBLY INSTRUCTION

DB27-4



DB27-4

PICTURE	ITEM	SPEC	QTY.
	Cam lock	Ø15*13	16
	Cam lock screw	Ø8*35	16
	Dowel	Ø8*35	4
	ABS Leg	4 3/4" ± 3/4"	4
	Drawer slide (N)	Length=19 5/8"	3
	drawer slide (H)	Length=19 5/8"	1

BOX

Part	L	W	T	QTY.
1 Left panel	30"	23 7/8"	3/4"	1
2 Bottom panel	23 3/8"	25 1/2"	3/4"	1
3 panel	25 1/2"	4 1/8"	3/4"	1
4 Back panel	29 3/8"	25 7/8"	7/8"	1
5 Right panel	30"	23 7/8"	3/4"	1
6 Drawer bottom panel	18 3/4"	22 5/8"	5/8"	4
7 Drawer back panel (N)	22 1/8"	3 1/4"	5/8"	3
8 Drawer back panel (H)	22 1/8"	7 7/8"	5/8"	1
				total 13

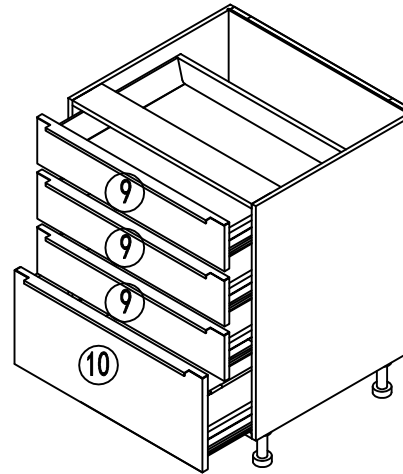
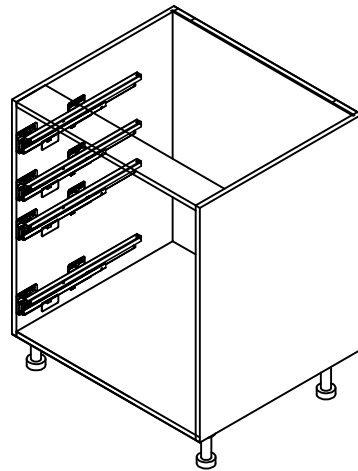
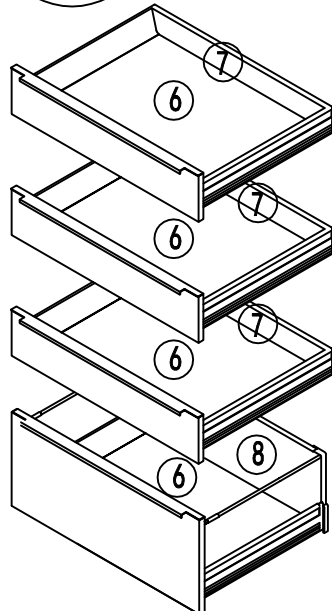
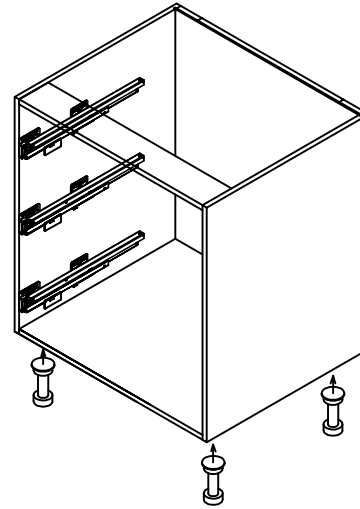
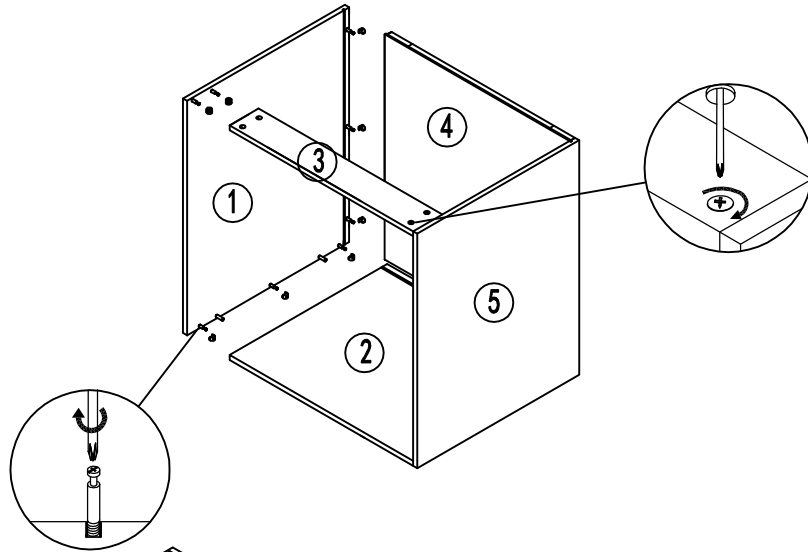
DOOR

9 Drawer front	26 7/8"	5 7/8"	3/4"	3
10 Drawer front	26 7/8"	11 7/8"	3/4"	1

V 2.0

ASSEMBLY INSTRUCTION

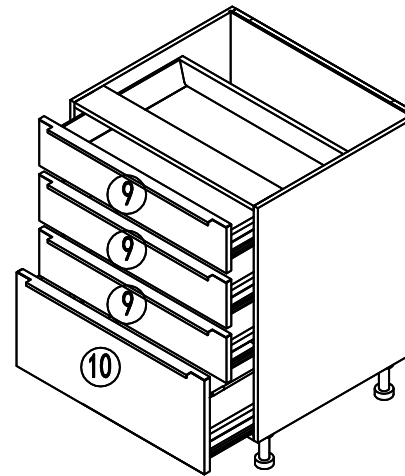
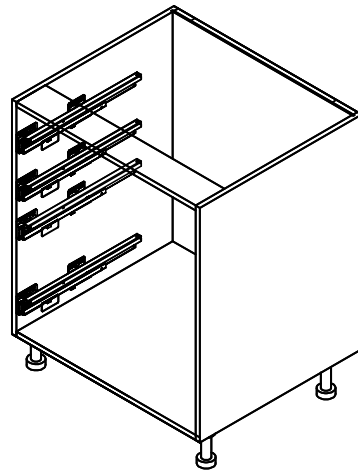
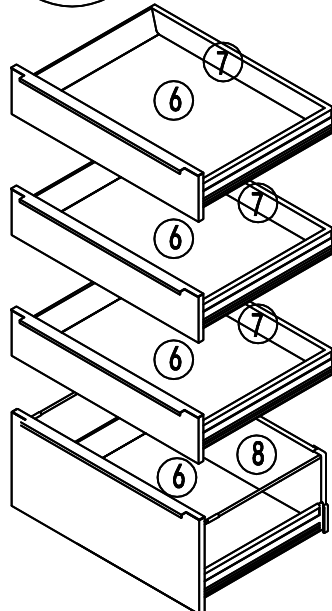
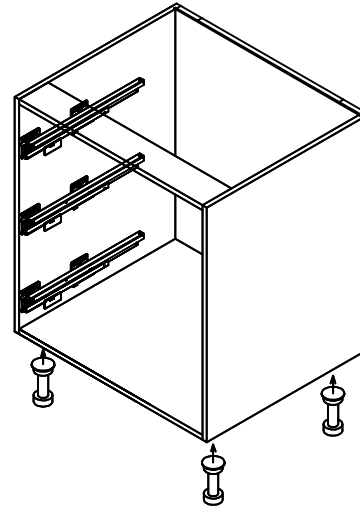
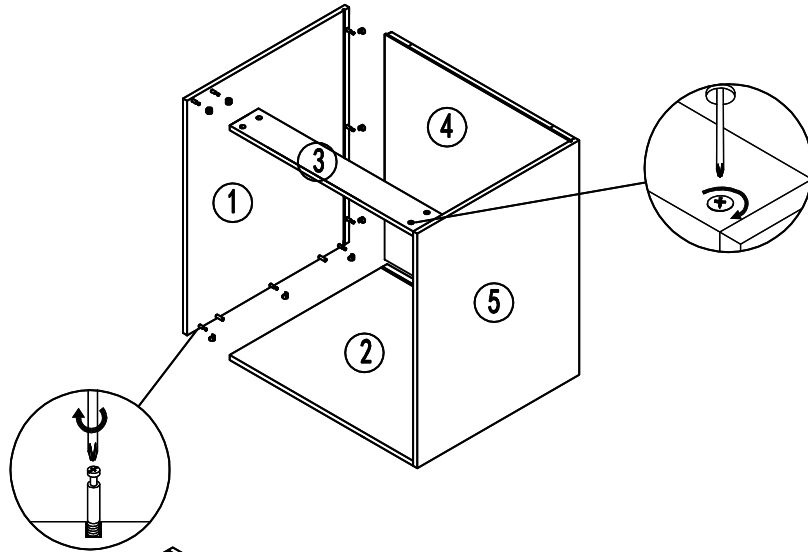
DB30-4



DB30-4				
PICTURE	ITEM	SPEC	QTY.	
	Cam lock	Ø15*13	16	
	Cam lock screw	Ø8*35	16	
	Dowel	Ø8*35	4	
	ABS Leg	4 3/4" ± 3/4"	4	
	Drawer slide (N)	Length=19 5/8"	3	
	drawer slide (H)	Length=19 5/8"	1	
BOX				
Part	L	W	T	QTY.
1 Left panel	30"	23 7/8"	3/4"	1
2 Bottom panel	23 3/8"	28 1/2"	3/4"	1
3 panel	28 1/2"	4 1/8"	3/4"	1
4 Back panel	29 3/8"	28 7/8"	7/8"	1
5 Right panel	30"	23 7/8"	3/4"	1
6 Drawer bottom panel	18 3/4"	25 5/8"	5/8"	4
7 Drawer back panel (N)	25 1/8"	3 1/4"	5/8"	3
8 Drawer back panel (H)	25 1/8"	7 7/8"	5/8"	1
total 13				
DOOR				
9 Drawer front	29 7/8"	5 7/8"	3/4"	3
10 Drawer front	29 7/8"	11 7/8"	3/4"	1

ASSEMBLY INSTRUCTION

DB33-4



DB33-4

PICTURE	ITEM	SPEC	QTY.
	Cam lock	Ø15*13	16
	Cam lock screw	Ø8*35	16
	Dowel	Ø8*35	4
	ABS Leg	4 3/4" ± 3/4"	4
	Drawer slide (N)	Length=19 5/8"	3
	drawer slide (H)	Length=19 5/8"	1

BOX

Part	L	W	T	QTY.
1 Left panel	30"	23 7/8"	3/4"	1
2 Bottom panel	23 3/8"	31 1/2"	3/4"	1
3 panel	31 1/2"	4 1/8"	3/4"	1
4 Back panel	29 3/8"	31 7/8"	7/8"	1
5 Right panel	30"	23 7/8"	3/4"	1
6 Drawer bottom panel	18 3/4"	28 5/8"	5/8"	4
7 Drawer back panel (N)	28 1/8"	3 1/4"	5/8"	3
8 Drawer back panel (H)	28 1/8"	7 7/8"	5/8"	1
				total 13

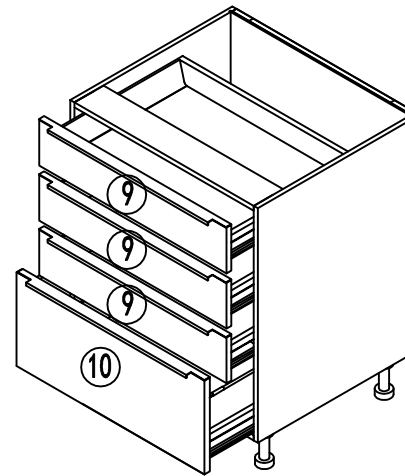
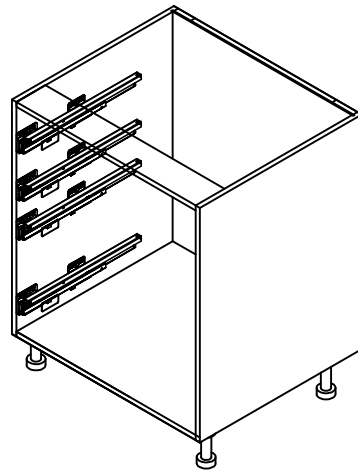
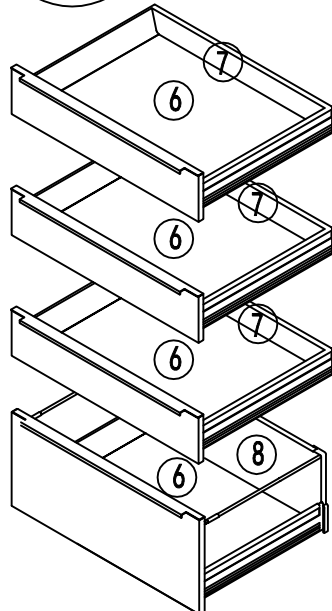
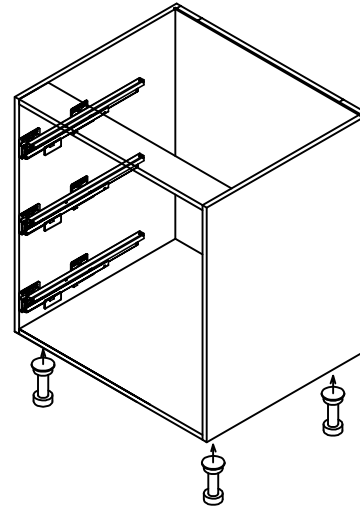
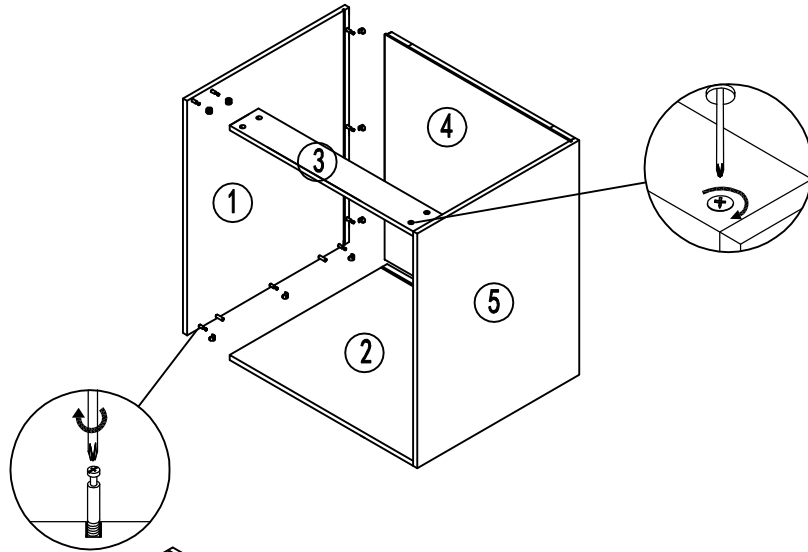
DOOR

9 Drawer front	32 7/8"	5 7/8"	3/4"	3
10 Drawer front	32 7/8"	11 7/8"	3/4"	1

V 2.0

ASSEMBLY INSTRUCTION

DB36-4



DB36-4

PICTURE	ITEM	SPEC	QTY.
	Cam lock	Ø15*13	16
	Cam lock screw	Ø8*35	16
	Dowel	Ø8*35	4
	ABS Leg	4 3/4" ± 3/4"	4
	Drawer slide (N)	Length=19 5/8"	3
	drawer slide (H)	Length=19 5/8"	1

BOX

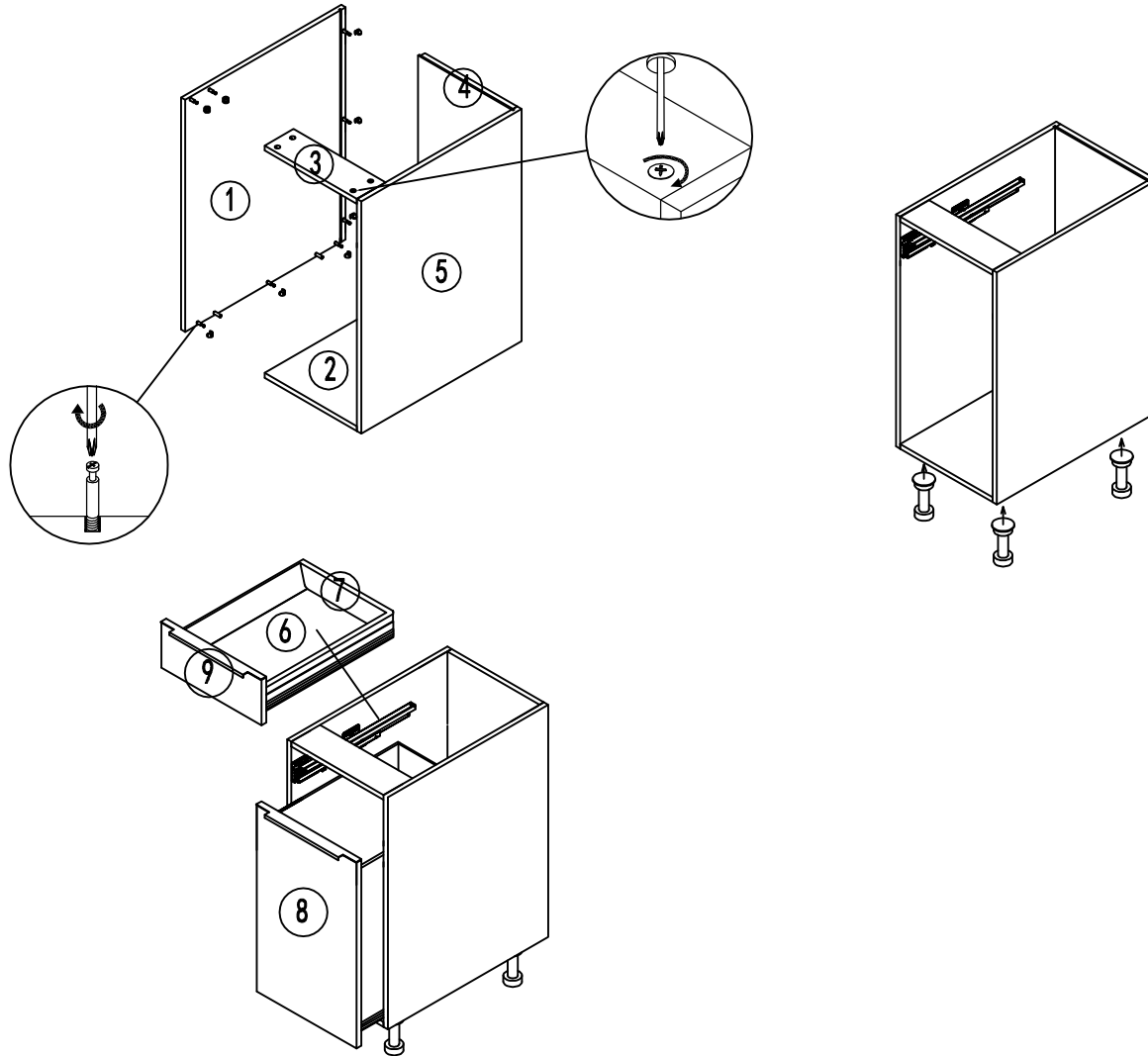
Part	L	W	T	QTY.
1 Left panel	30"	23 7/8"	3/4"	1
2 Bottom panel	23 3/8"	34 1/2"	3/4"	1
3 panel	34 1/2"	4 1/8"	3/4"	1
4 Back panel	29 3/8"	34 7/8"	7/8"	1
5 Right panel	30"	23 7/8"	3/4"	1
6 Drawer bottom panel	18 3/4"	31 5/8"	5/8"	4
7 Drawer back panel (N)	31 1/8"	3 1/4"	5/8"	3
8 Drawer back panel (H)	31 1/8"	7 7/8"	5/8"	1
				total 13

DOOR

9 Drawer front	35 7/8"	5 7/8"	3/4"	3
10 Drawer front	35 7/8"	11 7/8"	3/4"	1

ASSEMBLY INSTRUCTION

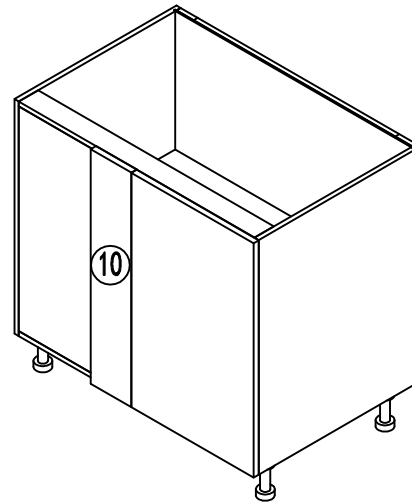
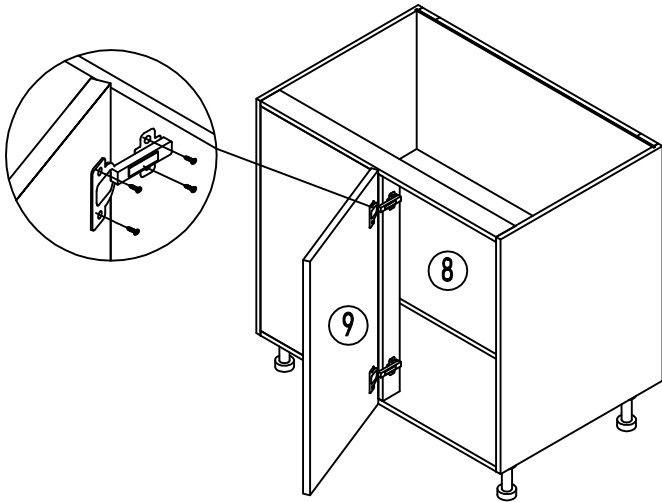
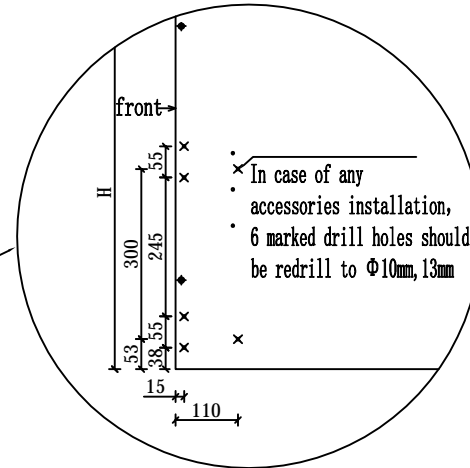
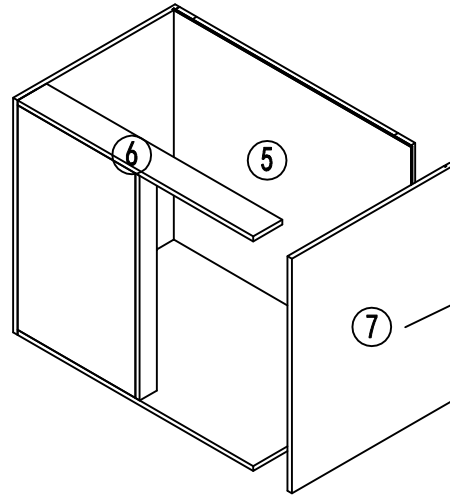
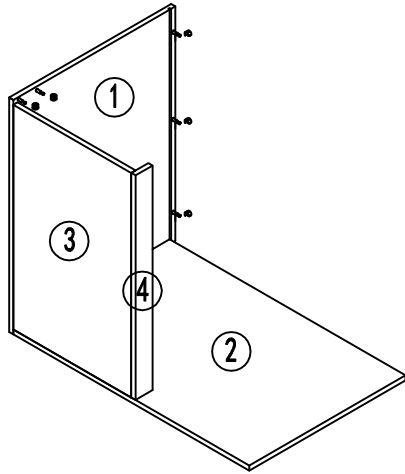
BTC18



BTC18					
PICTURE	ITEM	SPEC	QTY.		
	Cam lock	Ø15*13	16		
	Cam lock screw	Ø8*35	16		
	Dowel	Ø8*35	4		
	ABS Leg	4 3/4" ± 3/4"	4		
	Drawer slide (N)	Length=19 5/8"	1		
BOX					
Part	L	W	T	QTY.	
1	Left panel	30"	23 7/8"	3/4"	1
2	Bottom panel	23 3/8"	16 1/2"	3/4"	1
3	Panel	16 1/2"	4 1/8"	3/4"	1
4	Back panel	29 3/8"	16 7/8"	7/8"	1
5	Right panel	30"	23 7/8"	3/4"	1
6	Drawer bottom panel	18 3/4"	13 5/8"	5/8"	1
7	Drawer back panel	13 1/8"	3 1/4"	5/8"	1
total				7	
DOOR					
8	Door	17 7/8"	23 7/8"	3/4"	1
9	Drawer front	17 7/8"	5 7/8"	3/4"	1

ASSEMBLY INSTRUCTION

BBC42-45



BBC42-45

PICTURE	ITEM	SPEC	QTY.
	Hinge	Damper hinges	2
	Cam lock	Ø15*13	22
	Cam lock screw	Ø8*35	22
	Dowel	Ø8*35	6
	Shelf support	Ø5	4
	ABS Leg	4 3/4" ±3/4"	4

BOX

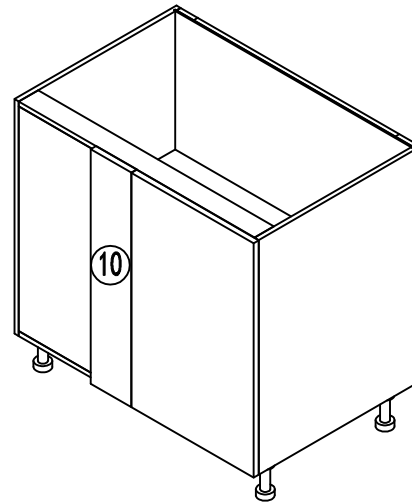
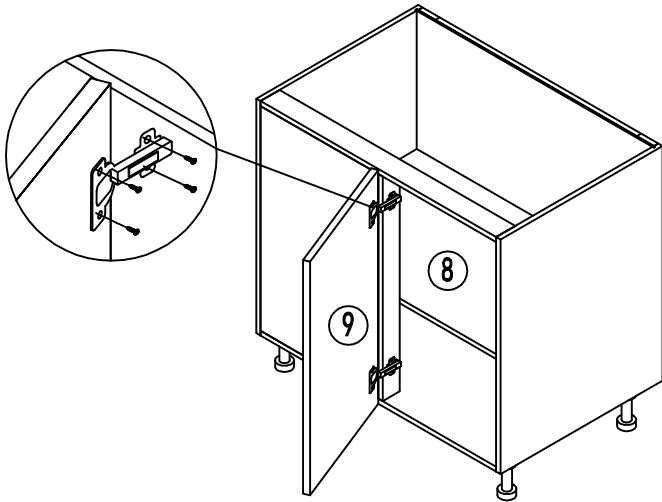
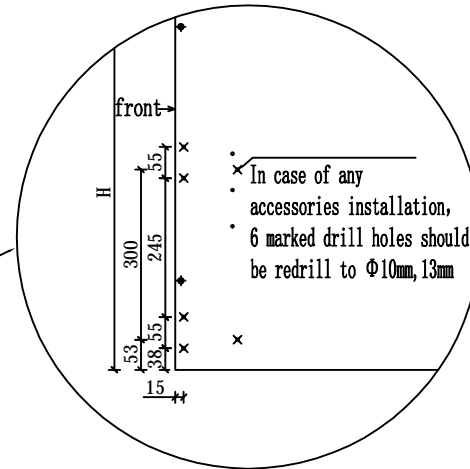
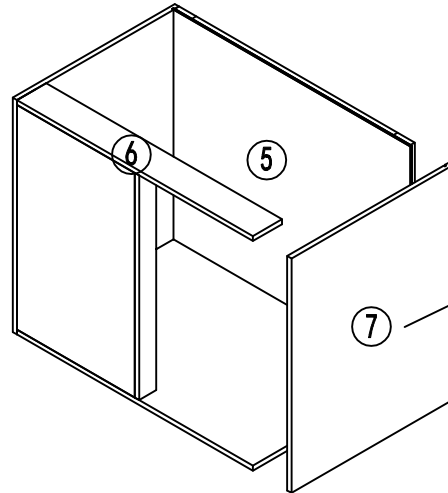
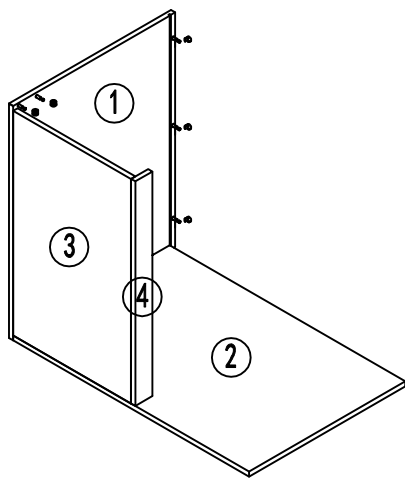
Part	L	W	T	QTY.
1 Left panel	30"	23 7/8"	3/4"	1
2 Bottom panel	23 3/8"	40 1/2"	3/4"	1
3 End filler	28 1/2"	23 1/4"	3/4"	1
4 Panel2	28 1/2"	2 1/2"	3/4"	1
5 Back panel	29 3/8"	40 7/8"	7/8"	1
6 Panel	40 1/2"	4 1/8"	3/4"	1
7 Right panel	30"	23 7/8"	3/4"	1
8 Shelf	40 1/2"	41 1/2"	3/4"	1
total 8				

DOOR

9 Door	17 7/8"	29 7/8"	3/4"	1
10 Filler	6 "	29 7/8"	3/4"	1

ASSEMBLY INSTRUCTION

BBC36-42



BBC36-42

PICTURE	ITEM	SPEC	QTY.
	Hinge	Damper hinges	2
	Cam lock	Φ15*13	22
	Cam lock screw	Φ8*35	22
	Dowel	Φ8*35	6
	Shelf support	Φ5	4
	ABS Leg	4 3/4" ± 3/4"	4

BOX

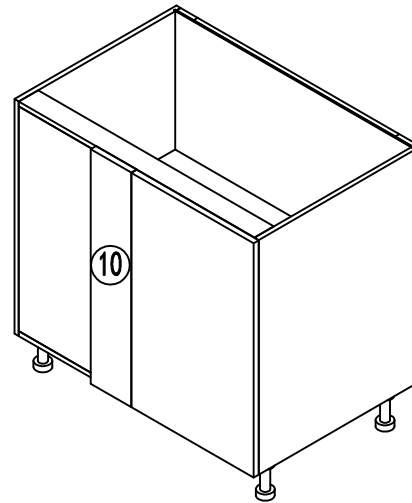
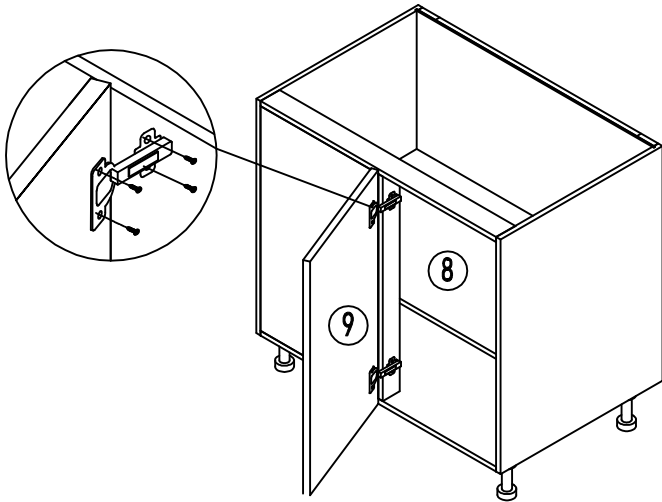
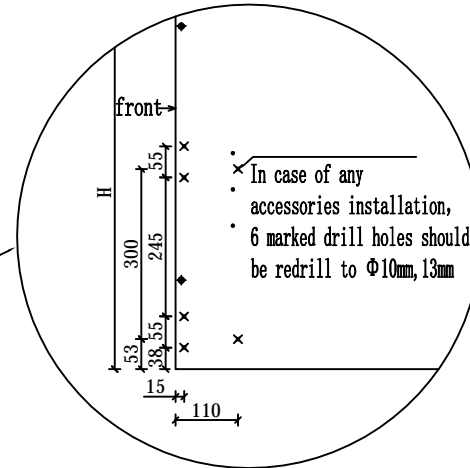
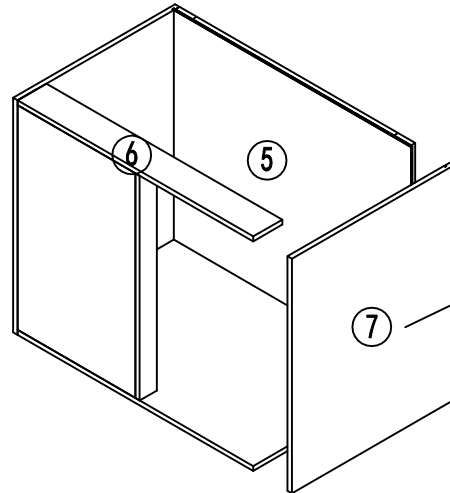
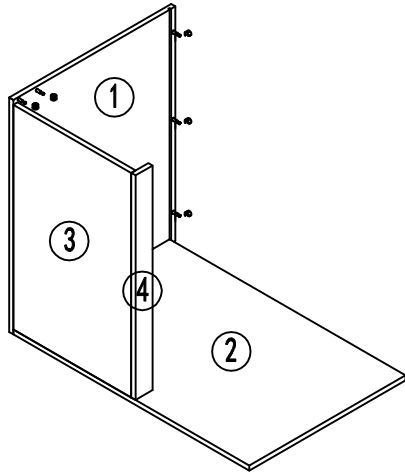
Part	L	W	T	QTY.
1 Left panel	30"	23 7/8"	3/4"	1
2 Bottom panel	23 3/8"	34 1/2"	3/4"	1
3 End filler	28 1/2"	20 1/4"	3/4"	1
4 Panel 2	28 1/2"	2 1/2"	3/4"	1
5 Back panel	29 3/8"	34 7/8"	7/8"	1
6 Panel	34 1/2"	4 1/8"	3/4"	1
7 Right panel	30"	23 7/8"	3/4"	1
8 Shelf	34 1/2"	41 1/2"	3/4"	1
total 8				

DOOR

9 Door	14 7/8"	29 7/8"	3/4"	1
10 Filler	6 "	29 7/8"	3/4"	1

ASSEMBLY INSTRUCTION

BBC42-45N



BBC42-45N

PICTURE	ITEM	SPEC	QTY.
	Hinge	Damper hinges	2
	Cam lock	$\Phi 15 \times 13$	22
	Cam lock screw	$\Phi 8 \times 35$	22
	Dowel	$\Phi 8 \times 35$	6
	Shelf support	$\Phi 5$	4
	ABS Leg	$4 \frac{3}{4} \pm \frac{3}{4}$ "	4

BOX

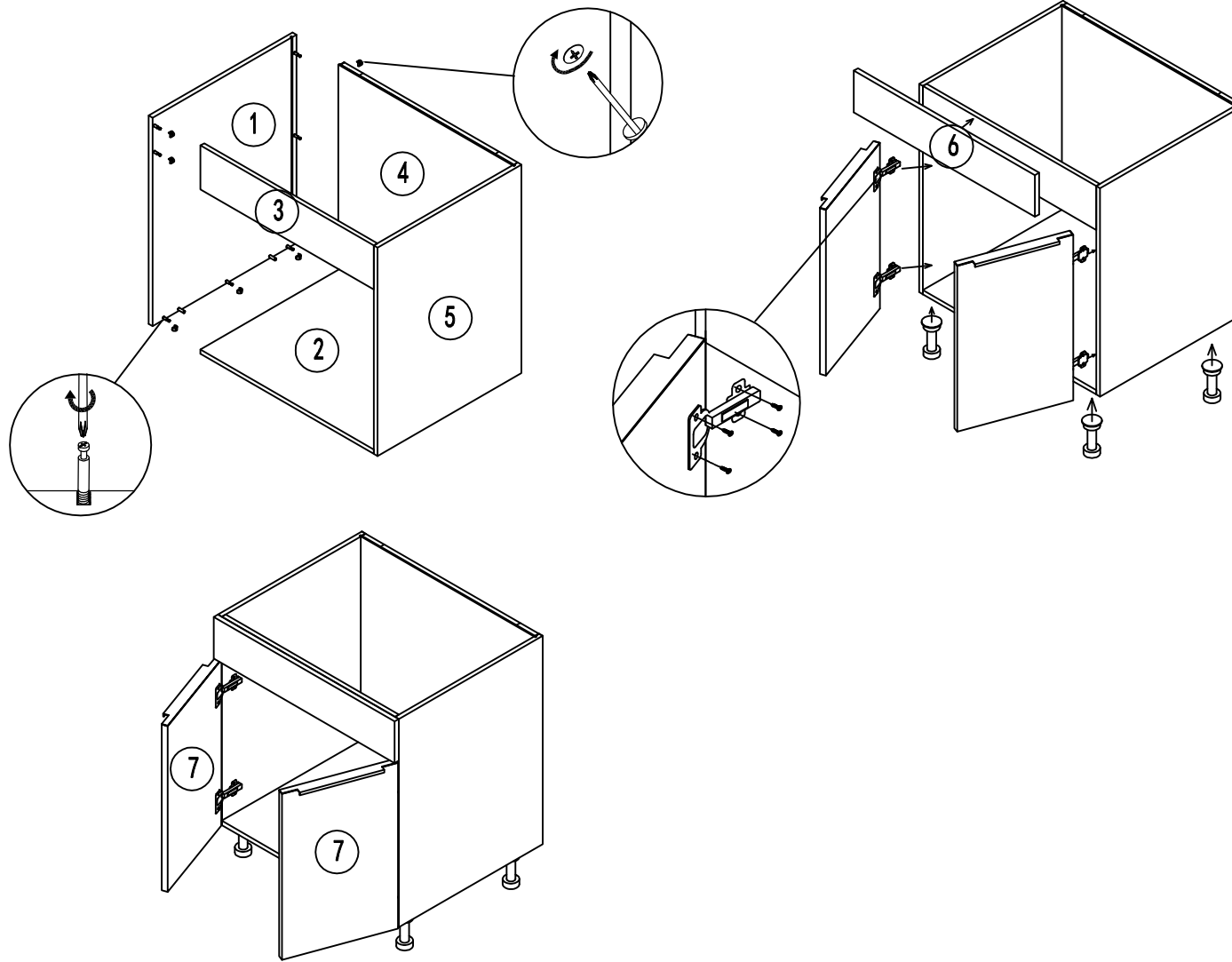
Part	L	W	T	QTY.
1 Left panel	30"	$23 \frac{7}{8}$ "	$\frac{3}{4}$ "	1
2 Bottom panel	$23 \frac{3}{8}$ "	$40 \frac{1}{2}$ "	$\frac{3}{4}$ "	1
3 End filler	$28 \frac{1}{2}$ "	$23 \frac{1}{4}$ "	$\frac{3}{4}$ "	1
4 Panel2	$28 \frac{1}{2}$ "	$2 \frac{1}{2}$ "	$\frac{3}{4}$ "	1
5 Back panel	$29 \frac{3}{8}$ "	$40 \frac{7}{8}$ "	$\frac{7}{8}$ "	1
6 Panel	$40 \frac{1}{2}$ "	$4 \frac{1}{8}$ "	$\frac{3}{4}$ "	1
7 Right panel	30"	$23 \frac{7}{8}$ "	$\frac{3}{4}$ "	1
8 Shelf	$40 \frac{1}{2}$ "	$41 \frac{1}{2}$ "	$\frac{3}{4}$ "	1
total 8				

DOOR

9 Door	$17 \frac{7}{8}$ "	$29 \frac{7}{8}$ "	$\frac{3}{4}$ "	1
10 Filler	6 "	$29 \frac{7}{8}$ "	$\frac{3}{4}$ "	1

ASSEMBLY INSTRUCTION

SB30



SB30

PICTURE	ITEM	SPEC	QTY.
	Hinge	Damper hinges	4
	Cam lock	Ø15*13	16
	Cam lock screw	Ø8*35	16
	Dowel	Ø8*35	4
	ABS Leg	4 3/4" ± 3/4"	4

BOX

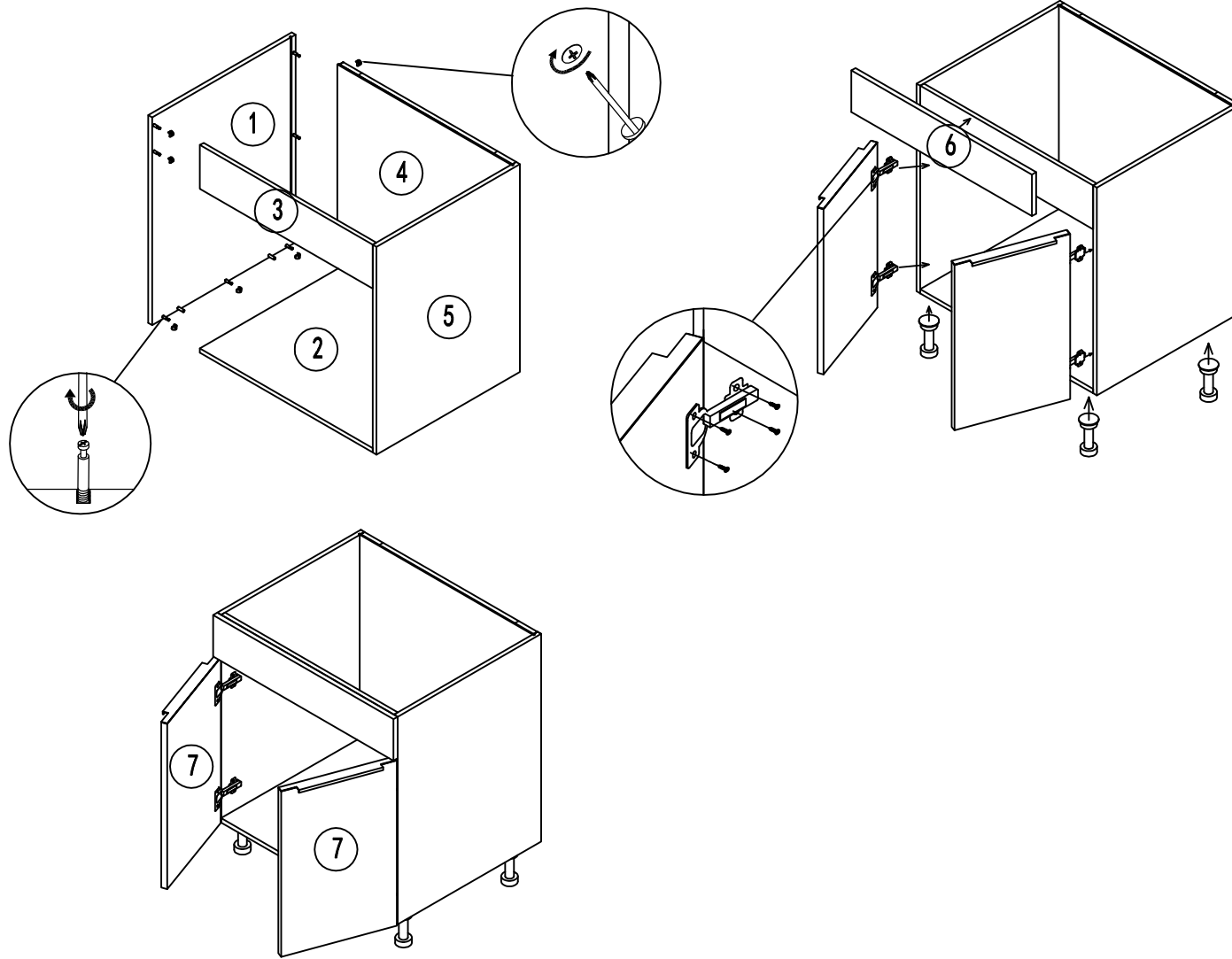
Part	L	W	T	QTY.
1 Left panel	30"	23 7/8"	3/4"	1
2 Bottom panel	23 3/8"	28 1/2"	3/4"	1
3 Panel	28 1/2"	6 1/4"	3/4"	1
4 Back Panel	28 3/4"	29 3/8"	7/8"	1
5 Right panel	30"	23 7/8"	3/4"	1
total 5				

DOOR

6 Door	29 7/8"	5 7/8"	3/4"	1
7 Door	14 7/8"	23 7/8"	3/4"	2

ASSEMBLY INSTRUCTION

SB33



SB33

PICTURE	ITEM	SPEC	QTY.
	Hinge	Damper hinges	4
	Cam lock	Ø15*13	16
	Cam lock screw	Ø8*35	16
	Dowel	Ø8*35	4
	ABS Leg	4 3/4" ± 3/4"	4

BOX

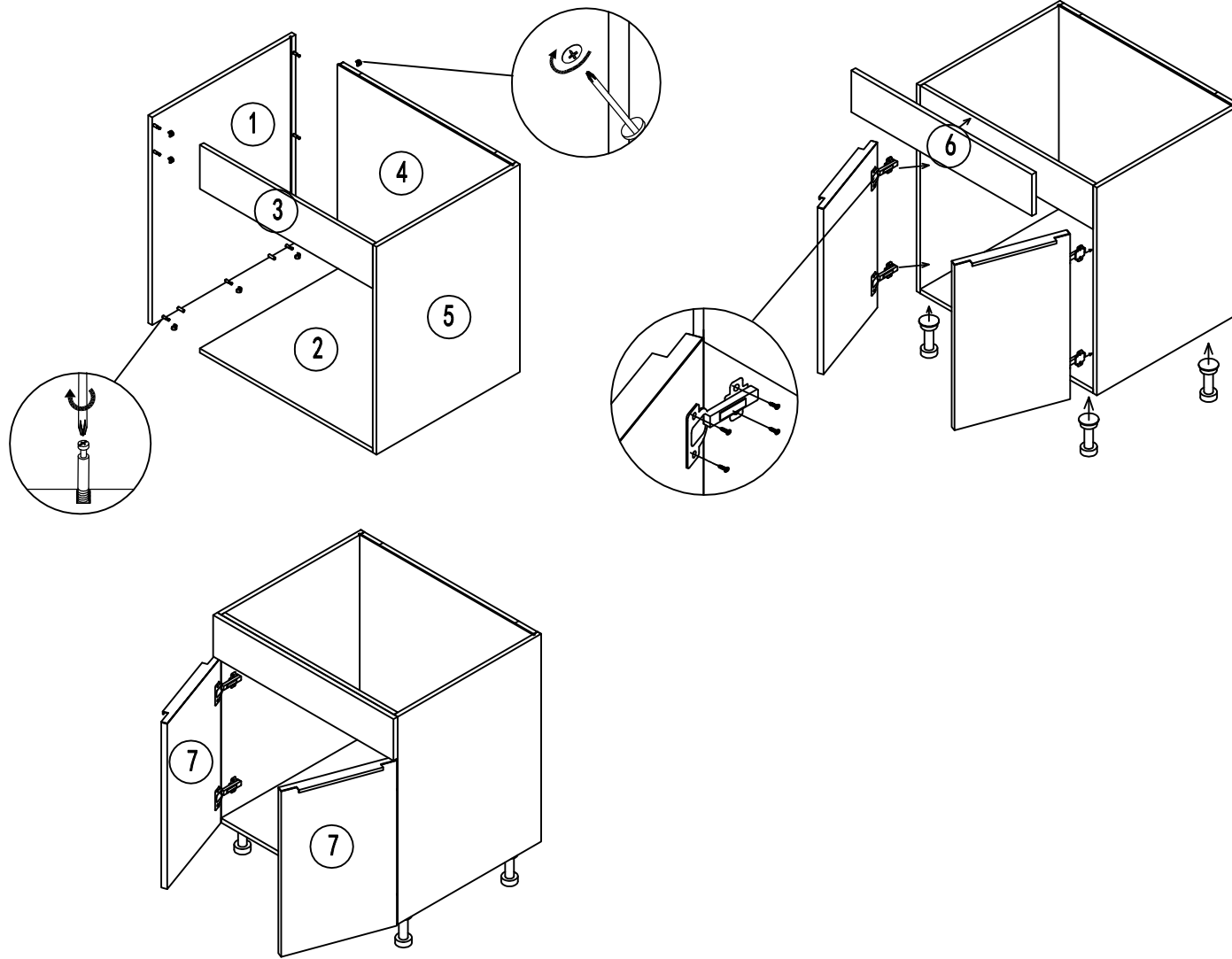
Part	L	W	T	QTY.
1 Left panel	30"	23 7/8"	3/4"	1
2 Bottom panel	23 3/8"	31 1/2"	3/4"	1
3 Panel	31 1/2"	6 1/4"	3/4"	1
4 Back Panel	31 3/4"	29 3/8"	7/8"	1
5 Right panel	30"	23 7/8"	3/4"	1
total 5				

DOOR

6 Door	32 7/8"	5 7/8"	3/4"	1
7 Door	16 3/8"	23 7/8"	3/4"	2

ASSEMBLY INSTRUCTION

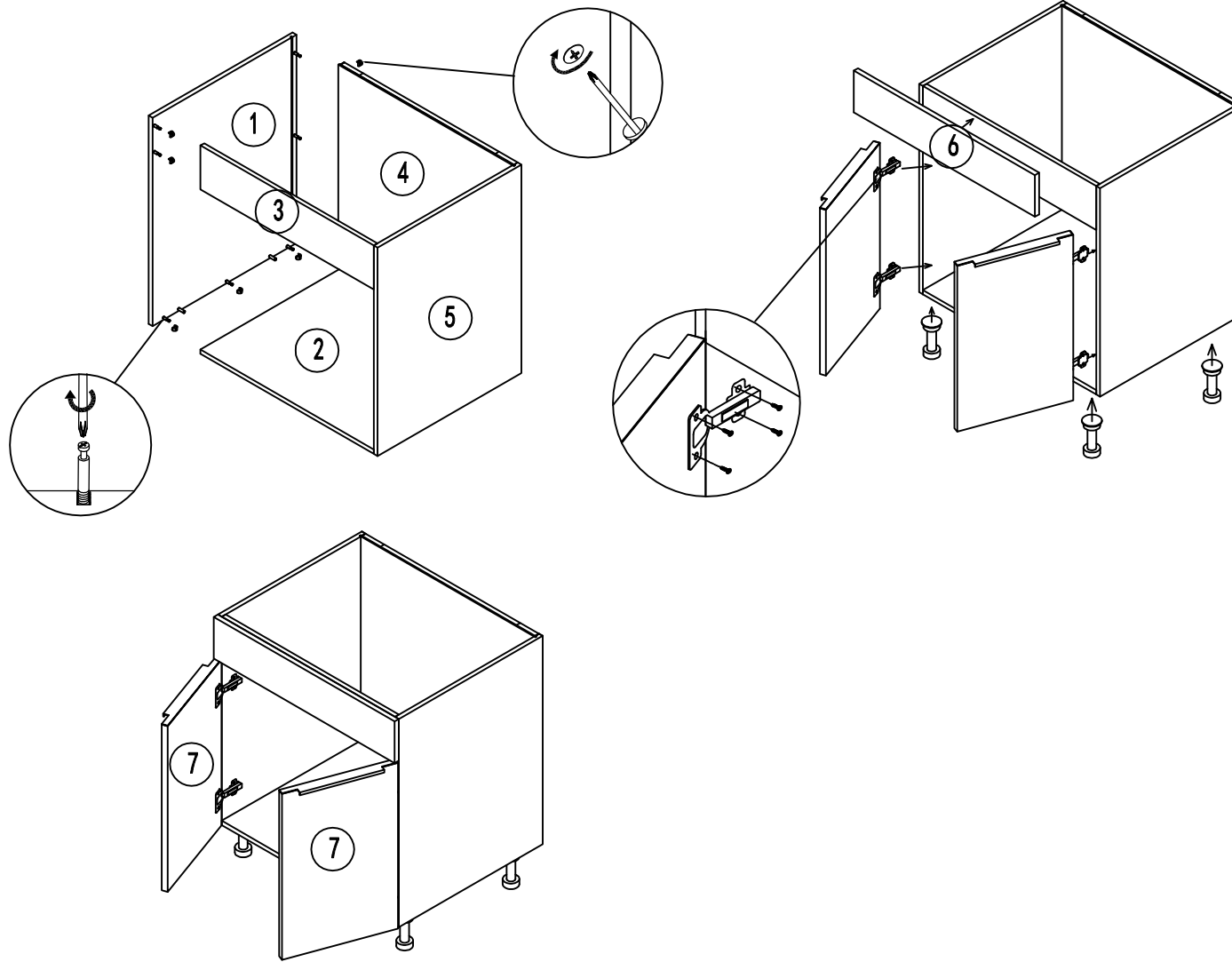
SB36



SB36					
PICTURE	ITEM	SPEC	QTY.		
	Hinge	Damper hinges	4		
	Cam lock	Ø15*13	16		
	Cam lock screw	Ø8*35	16		
	Dowel	Ø8*35	4		
	ABS Leg	4 3/4" ± 3/4"	4		
BOX					
Part	L	W	T	QTY.	
1	Left panel	30"	23 7/8"	3/4"	1
2	Bottom panel	23 3/8"	34 1/2"	3/4"	1
3	panel	34 1/2"	6 1/4"	3/4"	1
4	Back panel	34 3/4"	29 3/8"	7/8"	1
5	Right panel	30"	23 7/8"	3/4"	1
total 5					
DOOR					
6	Door	35 7/8"	5 7/8"	3/4"	1
7	Door	17 7/8"	23 7/8"	3/4"	2

ASSEMBLY INSTRUCTION

SB39

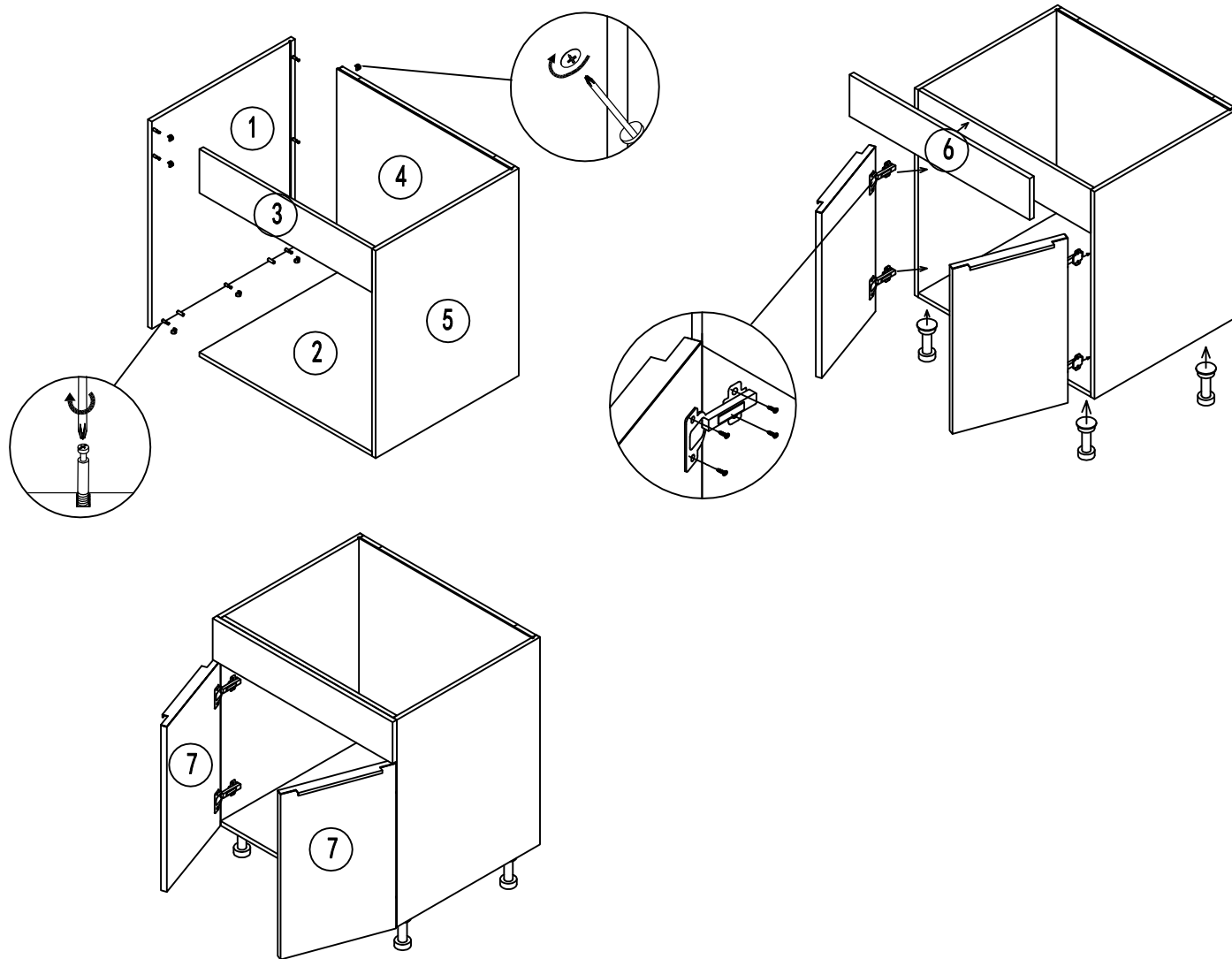


SB39					
PICTURE	ITEM	SPEC	QTY.		
	Hinge	Damper hinges	4		
	Cam lock	Ø15*13	16		
	Cam lock screw	Ø8*35	16		
	Dowel	Ø8*35	4		
	ABS Leg	4 3/4" ± 3/4"	4		
BOX					
Part	L	W	T	QTY.	
1	Left panel	30"	23 7/8"	3/4"	1
2	Bottom panel	23 3/8"	37 1/2"	3/4"	1
3	panel	37 1/2"	6 1/4"	3/4"	1
4	Back panel	37 3/4"	29 3/8"	7/8"	1
5	Right panel	30"	23 7/8"	3/4"	1
total				5	
DOOR					
6	Door	38 7/8"	5 7/8"	3/4"	1
7	Door	19 3/8"	23 7/8"	3/4"	2

V 2.0

ASSEMBLY INSTRUCTION

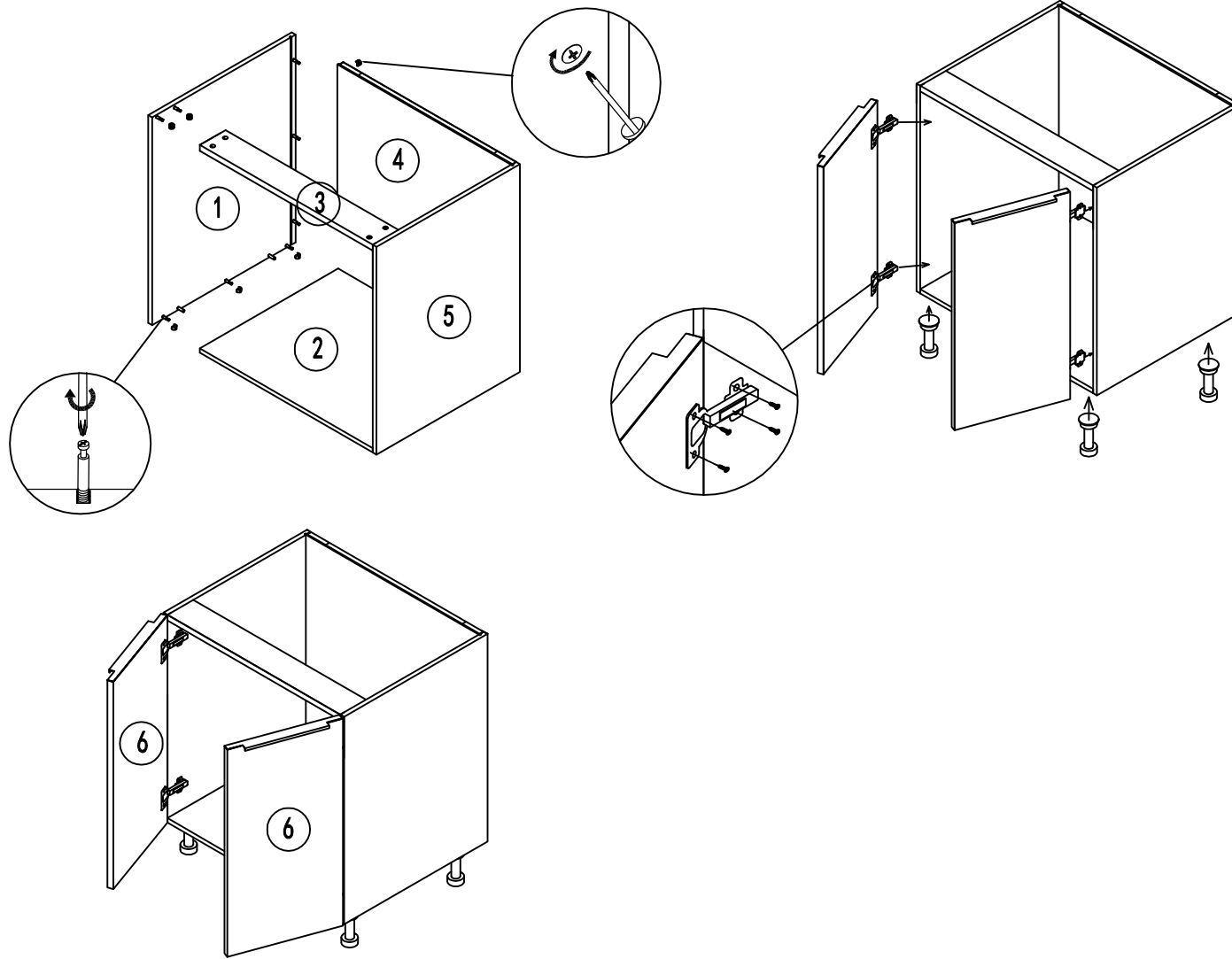
SB42



SB42					
PICTURE	ITEM	SPEC	QTY.		
	Hinge	Damper hinges	4		
	Cam lock	Ø15*13	16		
	Cam lock screw	Ø8*35	16		
	Dowel	Ø8*35	4		
	ABS Leg	4 3/4" ±3/4"	4		
BOX					
Part	L	W	T	QTY.	
1	Left panel	30"	23 7/8"	3/4"	1
2	Bottom panel	23 3/8"	40 1/2"	3/4"	1
3	panel	40 1/2"	6 1/4"	3/4"	1
4	Back panel	40 7/8"	29 3/8"	7/8"	1
5	Right panel	30"	23 7/8"	3/4"	1
				total 5	
DOOR					
6	Door	41 7/8"	5 7/8"	3/4"	1
7	Door	20 7/8"	23 7/8"	3/4"	2

ASSEMBLY INSTRUCTION

SB33FD



SB33FD

PICTURE	ITEM	SPEC	QTY.
	Hinge	Damper hinges	4
	Cam lock	Ø15*13	16
	Cam lock screw	Ø8*35	16
	Dowel	Ø8*35	4
	ABS Leg	4 3/4" ± 3/4"	4

BOX

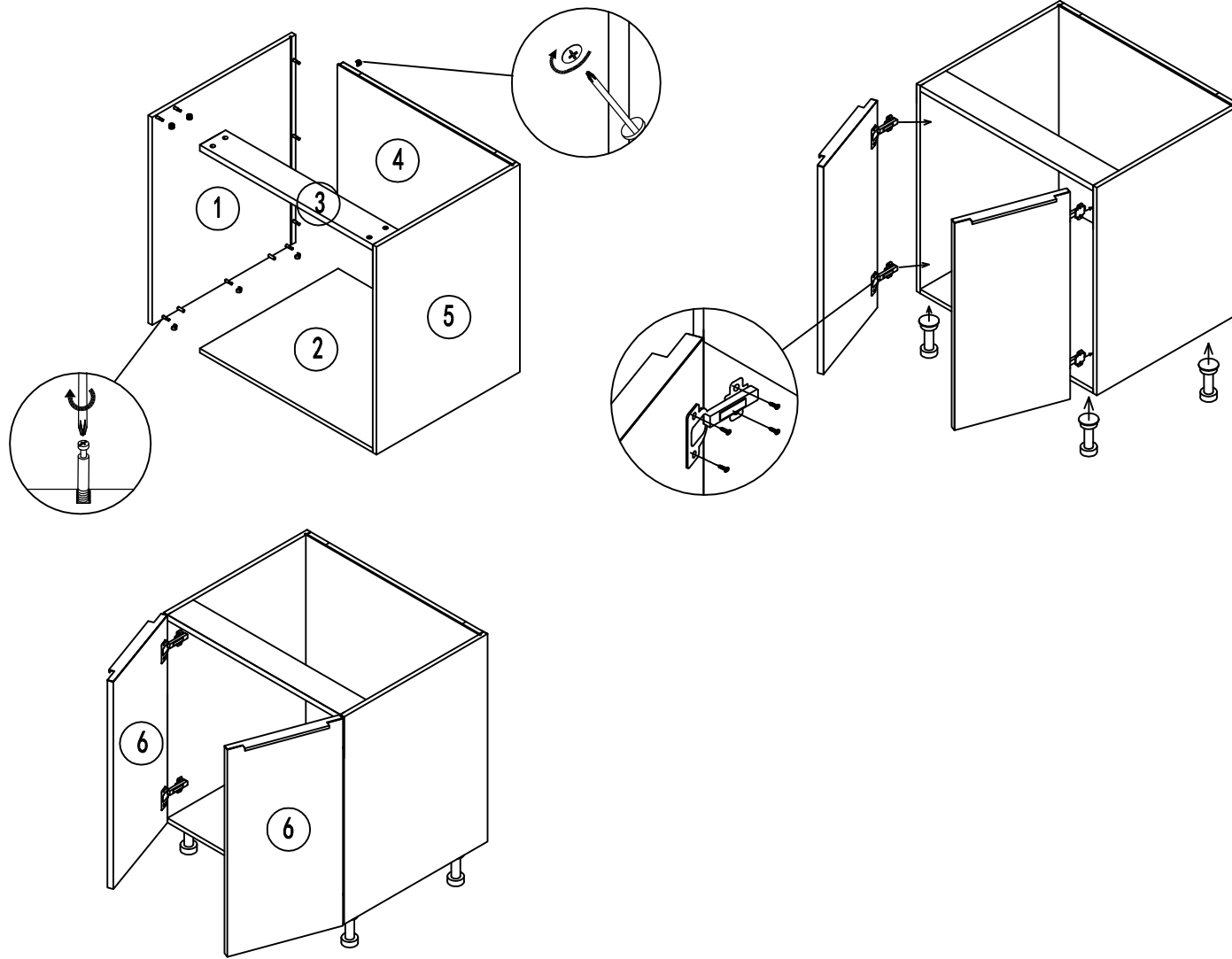
Part	L	W	T	QTY.
1 Left panel	30"	23 7/8"	3/4"	1
2 Bottom panel	23 3/8"	31 1/2"	3/4"	1
3 Panel	31 1/2"	4 1/8"	3/4"	1
4 Back Panel	31 3/4"	29 3/8"	7/8"	1
5 Right panel	30"	23 7/8"	3/4"	1
total 5				

DOOR

6 Door	16 3/8"	29 7/8"	3/4"	2
--------	---------	---------	------	---

ASSEMBLY INSTRUCTION

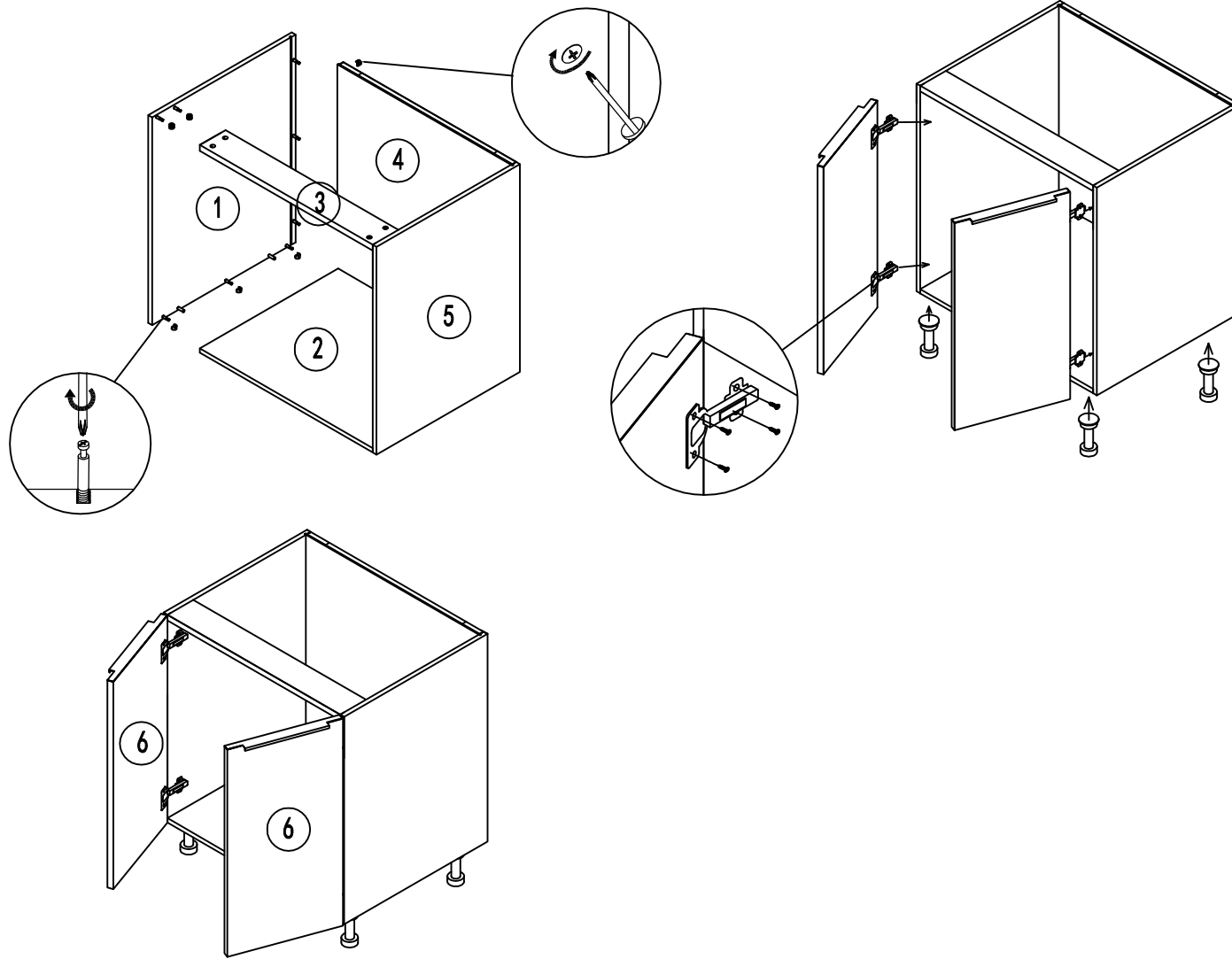
SB36FD



SB36FD					
PICTURE	ITEM	SPEC	QTY.		
	Hinge	Damper hinges	4		
	Cam lock	Ø15*13	16		
	Cam lock screw	Ø8*35	16		
	Dowel	Ø8*35	4		
	ABS Leg	4 3/4" ± 3/4"	4		
BOX					
Part	L	W	T	QTY.	
1	Left panel	30"	23 7/8"	3/4"	1
2	Bottom panel	23 3/8"	34 1/2"	3/4"	1
3	Panel	34 1/2"	4 1/8"	3/4"	1
4	Back Panel	34 7/8"	29 3/8"	7/8"	1
5	Right panel	30"	23 7/8"	3/4"	1
				total 5	
DOOR					
6	Door	17 7/8"	29 7/8"	3/4"	2

ASSEMBLY INSTRUCTION

SB42FD



SB42FD

PICTURE	ITEM	SPEC	QTY.
	Hinge	Damper hinges	4
	Cam lock	Ø15*13	16
	Cam lock screw	Ø8*35	16
	Dowel	Ø8*35	4
	ABS Leg	4 3/4" ± 3/4"	4

BOX

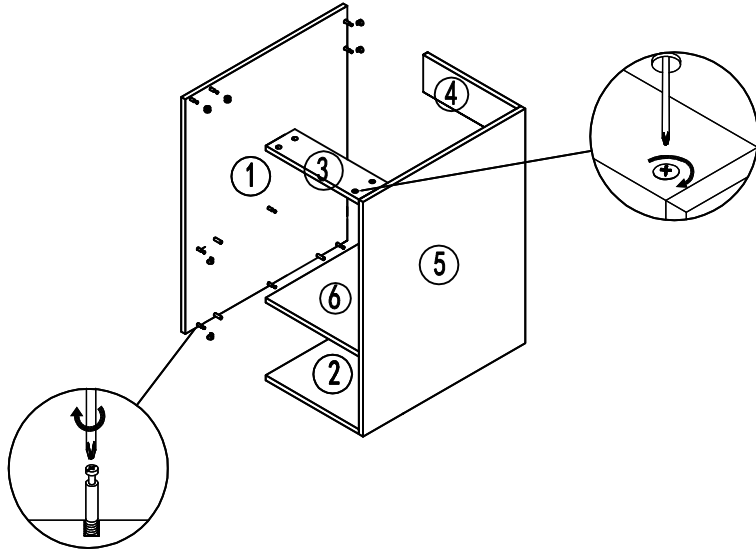
Part	L	W	T	QTY.
1 Left panel	30"	23 7/8"	3/4"	1
2 Bottom panel	23 3/8"	34 1/2"	3/4"	1
3 Panel	34 1/2"	4 1/8"	3/4"	1
4 Back Panel	40 7/8"	29 3/8"	7/8"	1
5 Right panel	30"	23 7/8"	3/4"	1
total 5				

DOOR

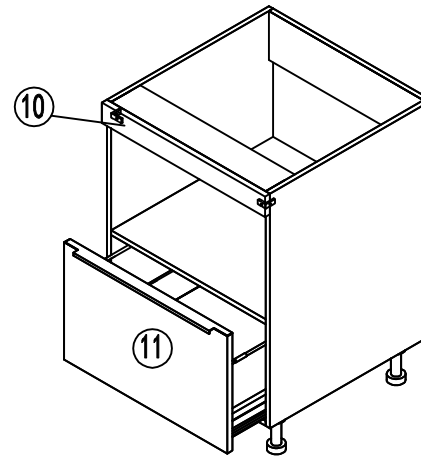
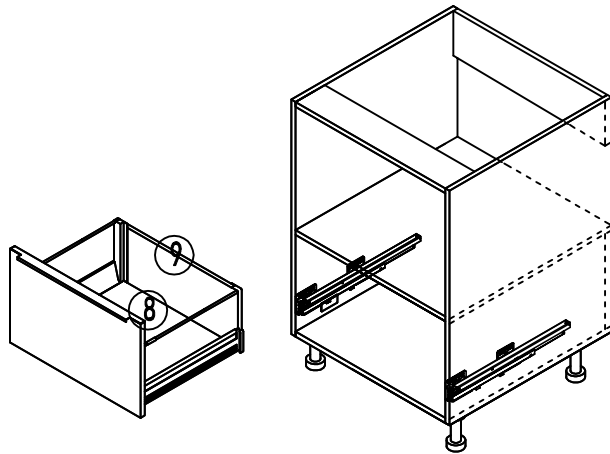
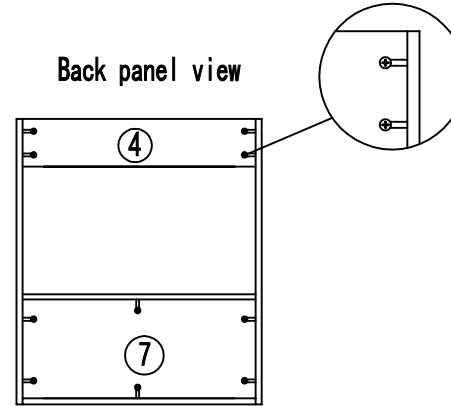
6 Door	20 7/8"	29 7/8"	3/4"	2
--------	---------	---------	------	---

ASSEMBLY INSTRUCTION

BMC24



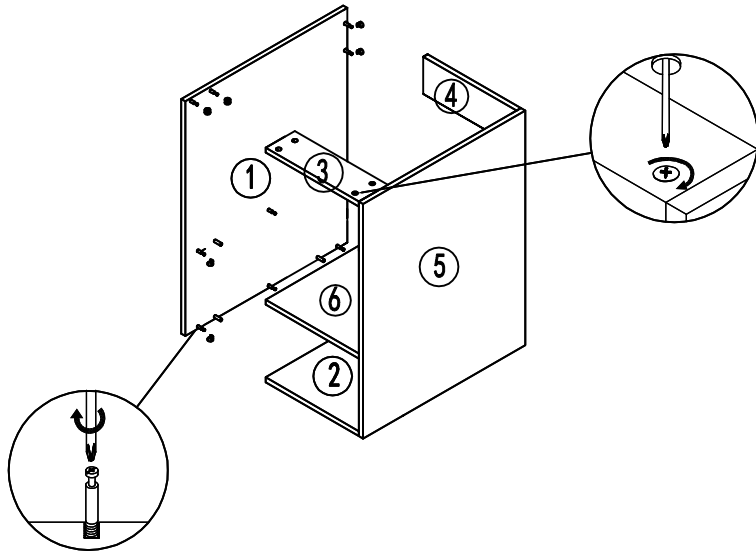
Back panel view



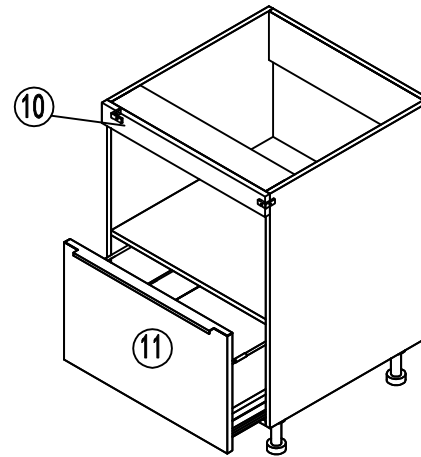
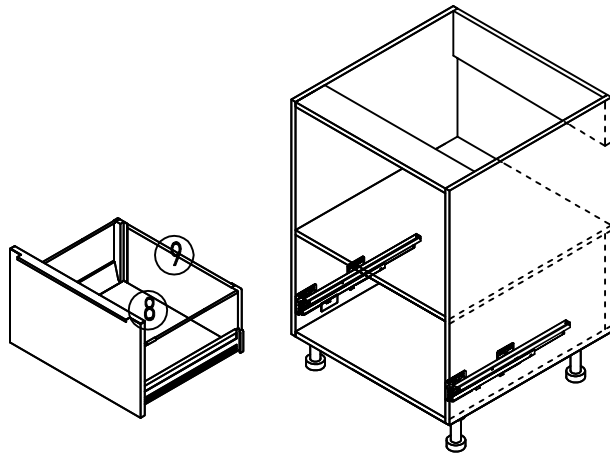
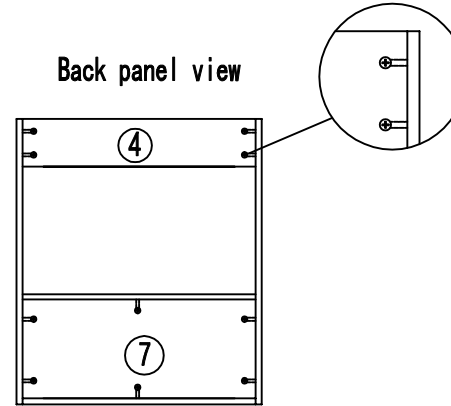
BMC24					
PICTURE	ITEM	SPEC	QTY.		
	Cam lock	Ø15*13	26		
	Cam lock screw	Ø8*35	26		
	Dowel	Ø8*35	8		
	ABS Leg	4 3/4" ± 3/4"	4		
	drawer slide (H)	Length=19 5/8"	1		
	Metal bracket	Corner	3		
BOX					
Part	L	W	T	QTY.	
1	Left panel	30"	23 7/8"	3/4"	1
2	Bottom panel	23 7/8"	25 1/2"	3/4"	1
3	Panel1	25 1/2"	2 7/8"	3/4"	1
4	panel2	25 1/2"	6"	7/8"	1
5	Right panel	30"	23 7/8"	3/4"	1
6	Fix shelf	23 7/8"	25 1/2"	3/4"	1
7	Back panel	25 1/2"	10 1/2"	7/8"	1
8	Drawer bottom panel	18 3/4"	22 1/2"	5/8"	1
9	Drawer back panel (H)	7 7/8"	22 1/8"	5/8"	1
total 9					
DOOR					
10	door panel	26 7/8"	2 1/8"	3/4"	1
11	Drawer front	26 7/8"	11 7/8"	3/4"	1

ASSEMBLY INSTRUCTION

BMC30



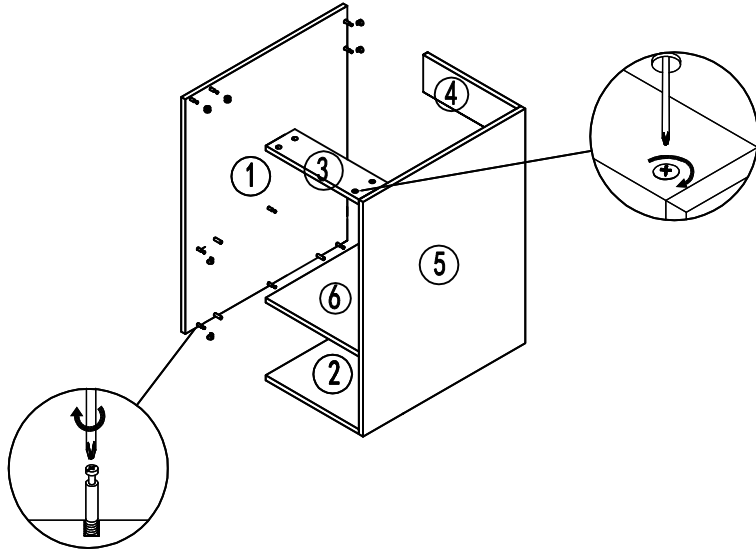
Back panel view



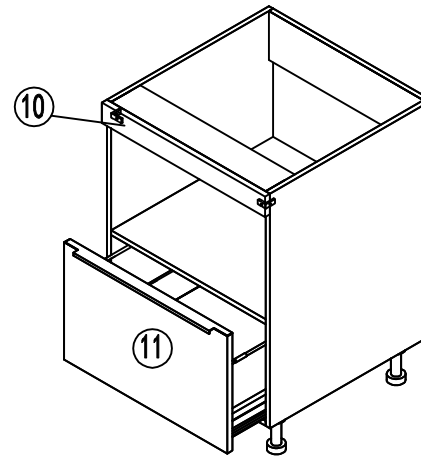
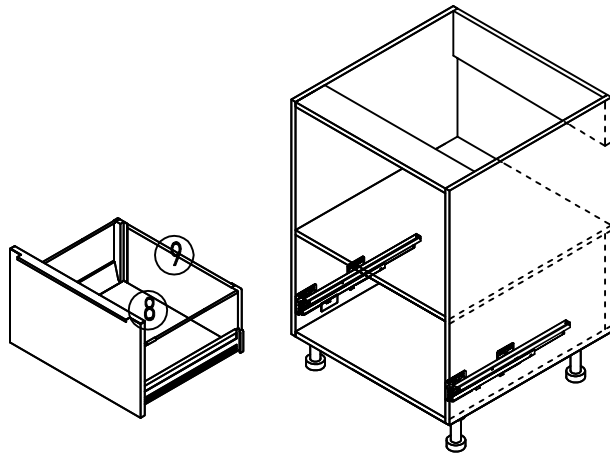
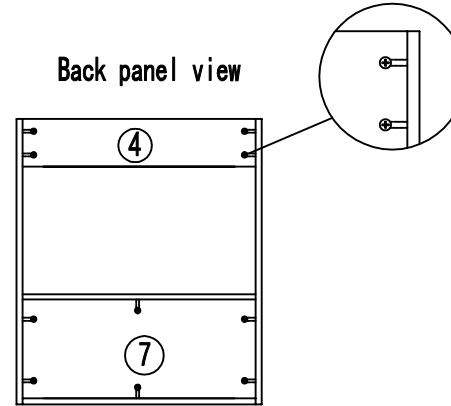
BMC30					
PICTURE	ITEM	SPEC	QTY.		
	Cam lock	Ø15*13	26		
	Cam lock screw	Ø8*35	26		
	Dowel	Ø8*35	8		
	ABS Leg	4 3/4" ± 3/4"	4		
	drawer slide (H)	Length=19 5/8"	1		
	Metal bracket	Corner	3		
BOX					
Part	L	W	T	QTY.	
1	Left panel	30"	23 7/8"	3/4"	1
2	Bottom panel	23 7/8"	28 1/2"	3/4"	1
3	Panel1	28 1/2"	2 7/8"	3/4"	1
4	panel2	28 1/2"	6"	7/8"	1
5	Right panel	30"	23 7/8"	3/4"	1
6	Fix shelf	23 7/8"	28 1/2"	3/4"	1
7	Back panel	28 1/2"	10 1/2"	7/8"	1
8	Drawer bottom panel	18 3/4"	25 1/2"	5/8"	1
9	Drawer back panel (H)	7 7/8"	25 1/8"	5/8"	1
total 9					
DOOR					
10	door panel	29 7/8"	2 1/8"	3/4"	1
11	Drawer front	29 7/8"	11 7/8"	3/4"	1

ASSEMBLY INSTRUCTION

BMC33



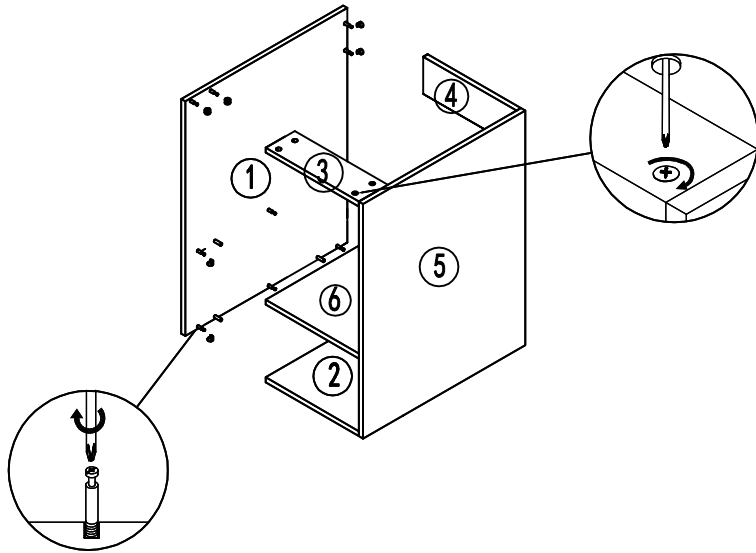
Back panel view



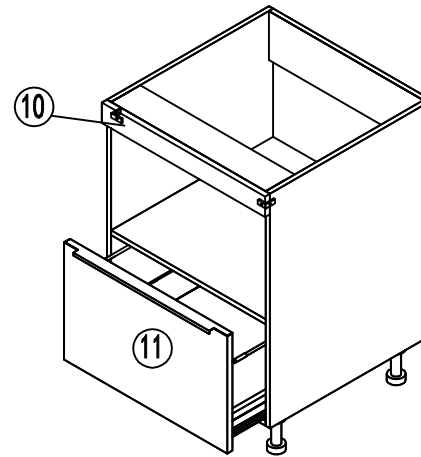
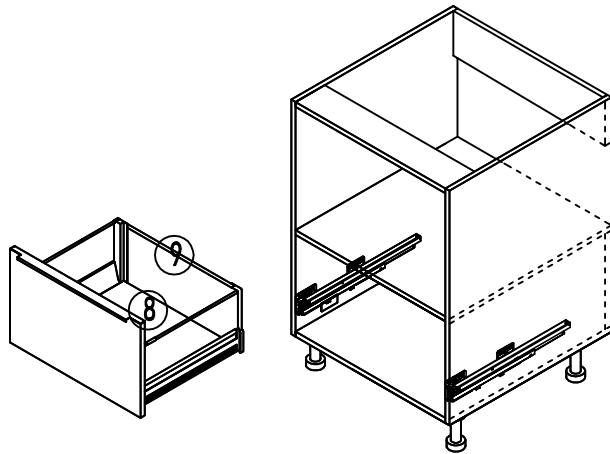
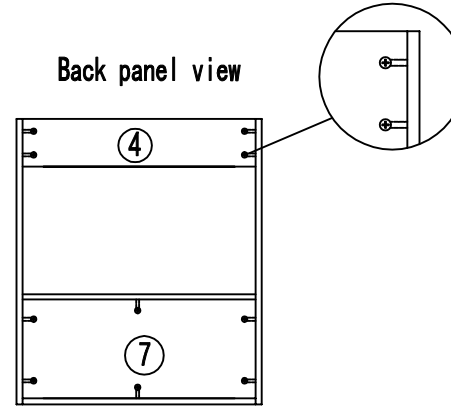
BMC33					
PICTURE	ITEM	SPEC	QTY.		
	Cam lock	Ø15*13	26		
	Cam lock screw	Ø8*35	26		
	Dowel	Ø8*35	8		
	ABS Leg	4 3/4" ± 3/4"	4		
	drawer slide (H)	Length=19 5/8"	1		
	Metal bracket	Corner	3		
BOX					
Part	L	W	T	QTY.	
1	Left panel	30"	23 7/8"	3/4"	1
2	Bottom panel	23 7/8"	31 1/2"	3/4"	1
3	Panel1	31 1/2"	2 7/8"	3/4"	1
4	panel2	31 1/2"	6"	7/8"	1
5	Right panel	30"	23 7/8"	3/4"	1
6	Fix shelf	23 7/8"	31 1/2"	3/4"	1
7	Back panel	31 1/2"	10 1/2"	7/8"	1
8	Drawer bottom panel	18 3/4"	28 1/2"	5/8"	1
9	Drawer back panel (H)	7 7/8"	28 1/8"	5/8"	1
total 9					
DOOR					
10	door panel	32 7/8"	2 1/8"	3/4"	1
11	Drawer front	32 7/8"	11 7/8"	3/4"	1

ASSEMBLY INSTRUCTION

BMC36



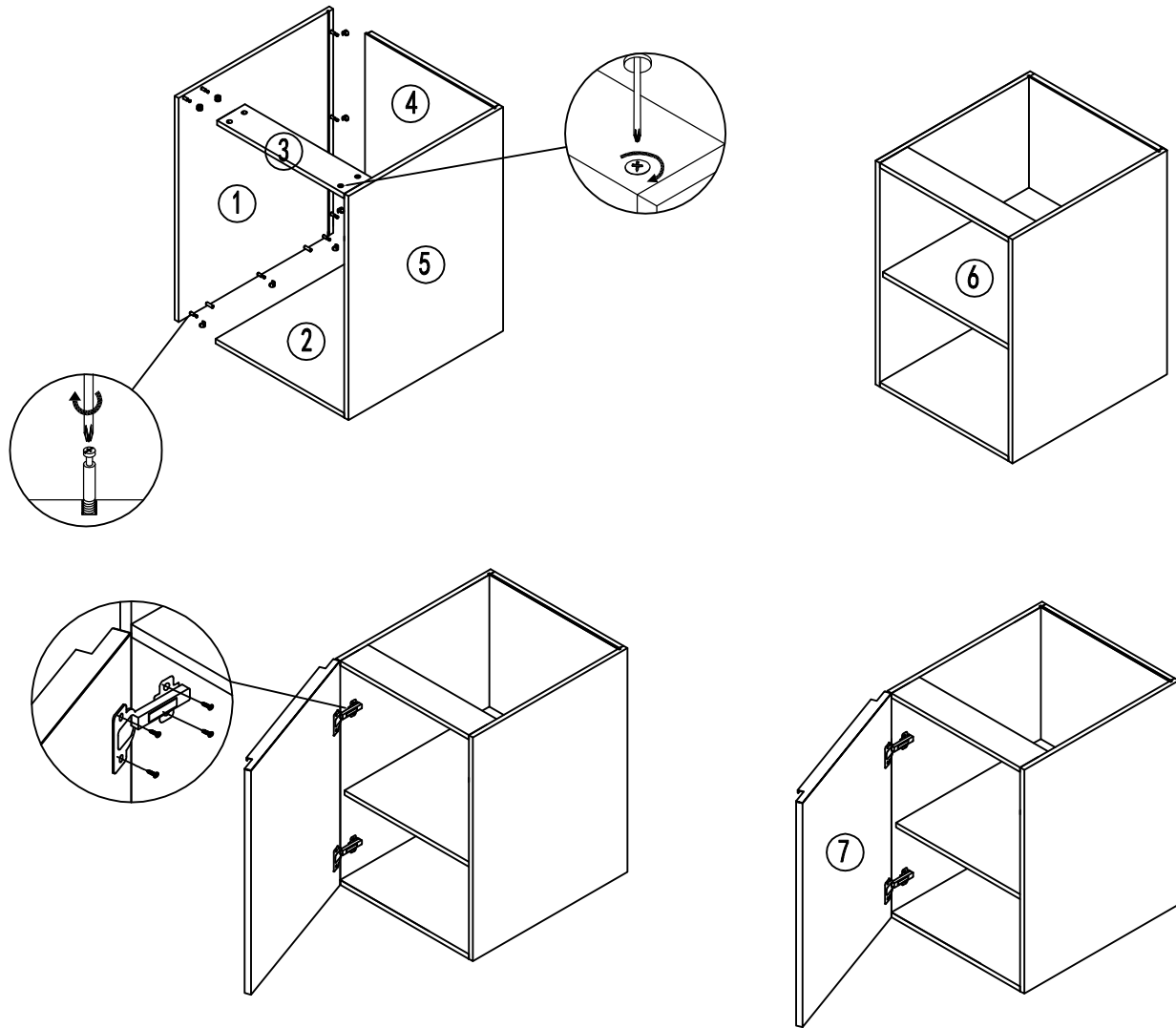
Back panel view



BMC36					
PICTURE	ITEM	SPEC	QTY.		
	Cam lock	Ø15*13	26		
	Cam lock screw	Ø8*35	26		
	Dowel	Ø8*35	8		
	ABS Leg	4 3/4" ± 3/4"	4		
	drawer slide (H)	Length=19 5/8"	1		
	Metal bracket	Corner	3		
BOX					
Part	L	W	T	QTY.	
1	Left panel	30"	23 7/8"	3/4"	1
2	Bottom panel	23 7/8"	34 1/2"	3/4"	1
3	Panel1	34 1/2"	2 7/8"	3/4"	1
4	panel2	34 1/2"	6"	7/8"	1
5	Right panel	30"	23 7/8"	3/4"	1
6	Fix shelf	23 7/8"	34 1/2"	3/4"	1
7	Back panel	34 1/2"	10 1/2"	7/8"	1
8	Drawer bottom panel	18 3/4"	31 1/2"	5/8"	1
9	Drawer back panel (H)	7 7/8"	31 1/8"	5/8"	1
total 9					
DOOR					
10	door panel	35 7/8"	2 1/8"	3/4"	1
11	Drawer front	35 7/8"	11 7/8"	3/4"	1

ASSEMBLY INSTRUCTION

FVB12



FVB12

PICTURE	ITEM	SPEC	QTY.
	Hinge	Damper hinges	2
	Cam lock	Ø15*13	16
	Cam lock screw	Ø8*35	16
	Dowel	Ø8*35	4
	Shelf support	Ø5	4

BOX

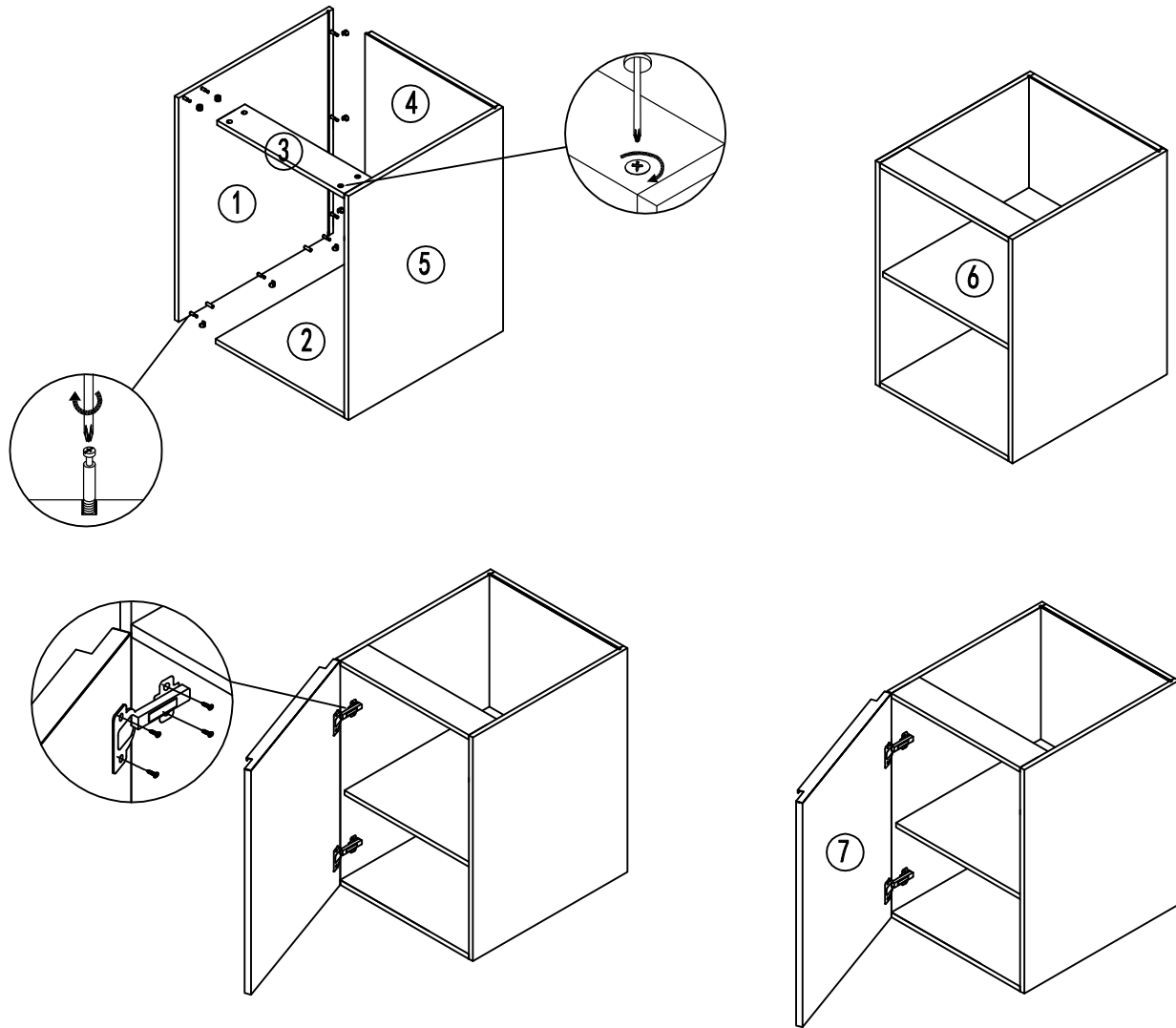
Part	L	W	T	QTY.	
1	Left panel	24"	21"	3/4"	1
2	Bottom panel	21"	10 1/2"	3/4"	1
3	Panel	10 1/2"	4 1/8"	3/4"	1
4	Back panel	23 3/8"	10 7/8"	7/8"	1
5	Right panel	24"	21"	3/4"	1
6	Shelf	19 1/2"	10 3/8"	3/4"	1
total 6					

DOOR

7	Door	11 7/8"	23 7/8"	3/4"	1
---	------	---------	---------	------	---

ASSEMBLY INSTRUCTION

FVB15



FVB15

PICTURE	ITEM	SPEC	QTY.
	Hinge	Damper hinges	2
	Cam lock	Ø15*13	16
	Cam lock screw	Ø8*35	16
	Dowel	Ø8*35	4
	Shelf support	Ø5	4

BOX

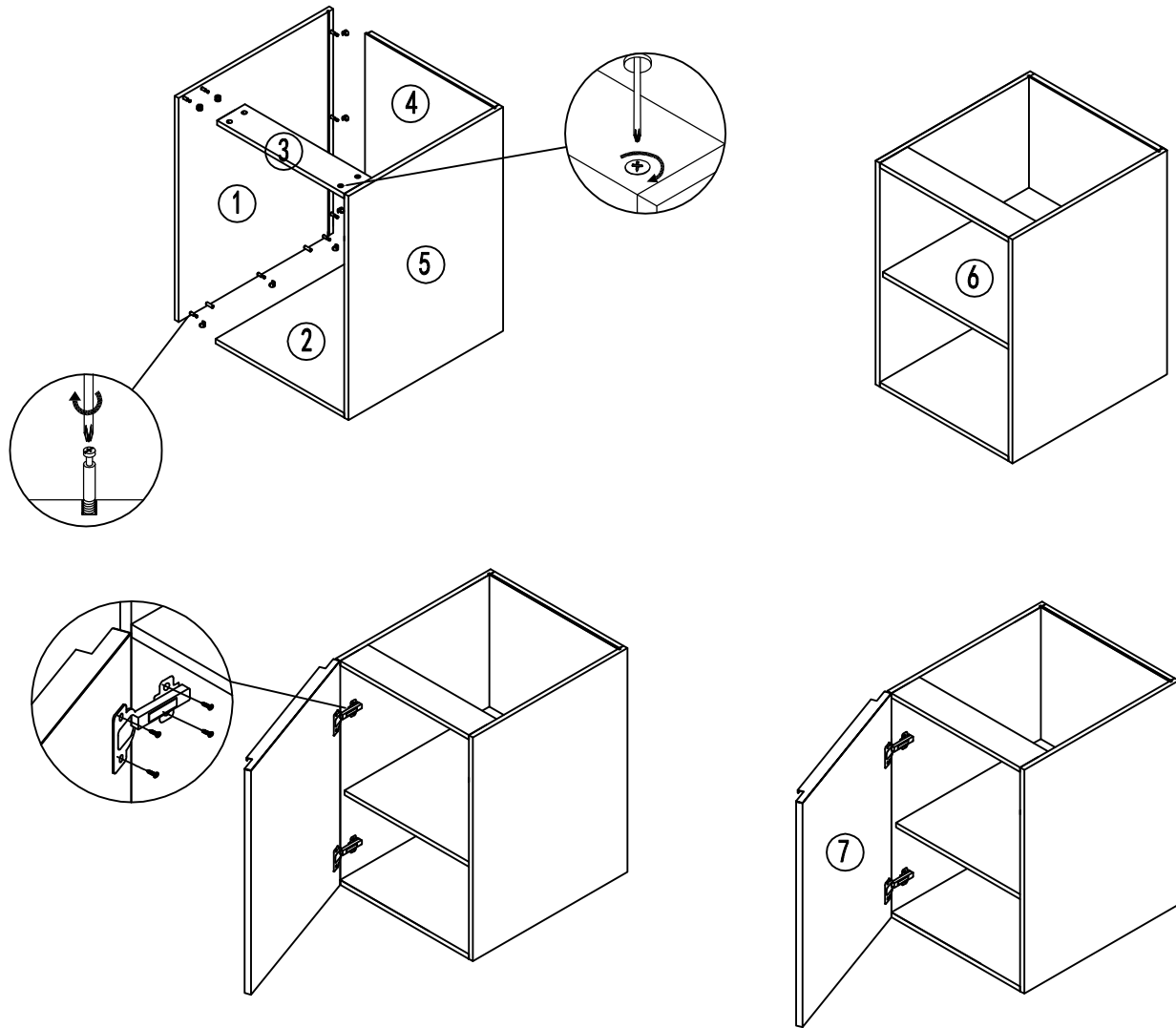
Part	L	W	T	QTY.	
1	Left panel	24"	21"	3/4"	1
2	Bottom panel	21"	13 1/2"	3/4"	1
3	Panel	13 1/2"	4 1/8"	3/4"	1
4	Back panel	23 3/8"	13 7/8"	7/8"	1
5	Right panel	24"	21"	3/4"	1
6	Shelf	19 1/2"	13 3/8"	3/4"	1
total 6					

DOOR

7	Door	14 7/8"	23 7/8"	3/4"	1
---	------	---------	---------	------	---

ASSEMBLY INSTRUCTION

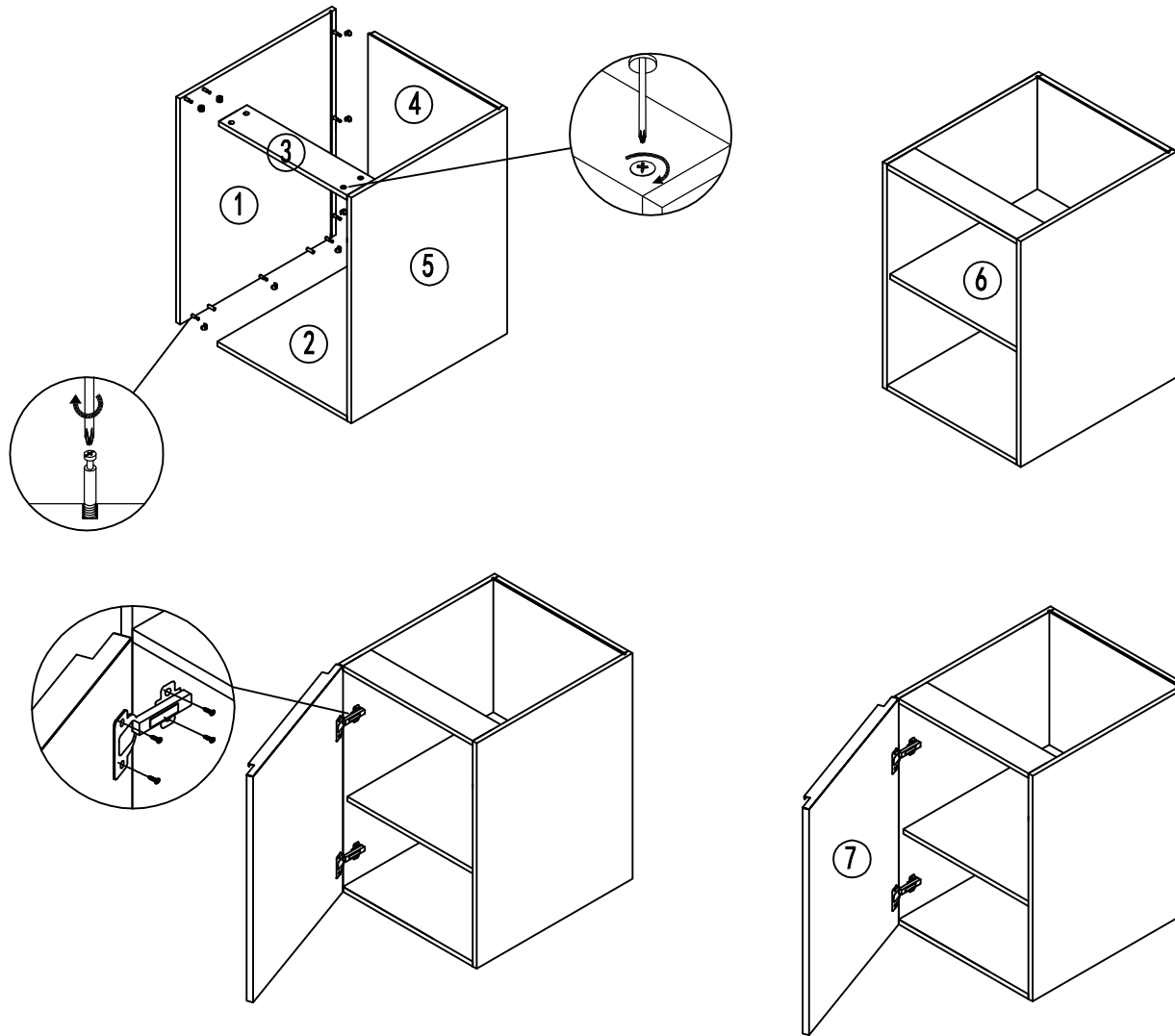
FVB18



FVB18					
PICTURE	ITEM	SPEC	QTY.		
	Hinge	Damper hinges	2		
	Cam lock	Ø15*13	16		
	Cam lock screw	Ø8*35	16		
	Dowel	Ø8*35	4		
	Shelf support	Ø5	4		
BOX					
Part	L	W	T	QTY.	
1	Left panel	24"	21"	3/4"	1
2	Bottom panel	21"	16 1/2"	3/4"	1
3	Panel	16 1/2"	4 1/8"	3/4"	1
4	Back panel	23 3/8"	16 7/8"	7/8"	1
5	Right panel	24"	21"	3/4"	1
6	Shelf	19 1/2"	16 3/8"	3/4"	1
total				6	
DOOR					
7	Door	17 7/8"	23 7/8"	3/4"	1

ASSEMBLY INSTRUCTION

FVB21



FVB21

PICTURE	ITEM	SPEC	QTY.
	Hinge	Damper hinges	2
	Cam lock	Ø15*13	16
	Cam lock screw	Ø8*35	16
	Dowel	Ø8*35	4
	Shelf support	Ø5	4

BOX

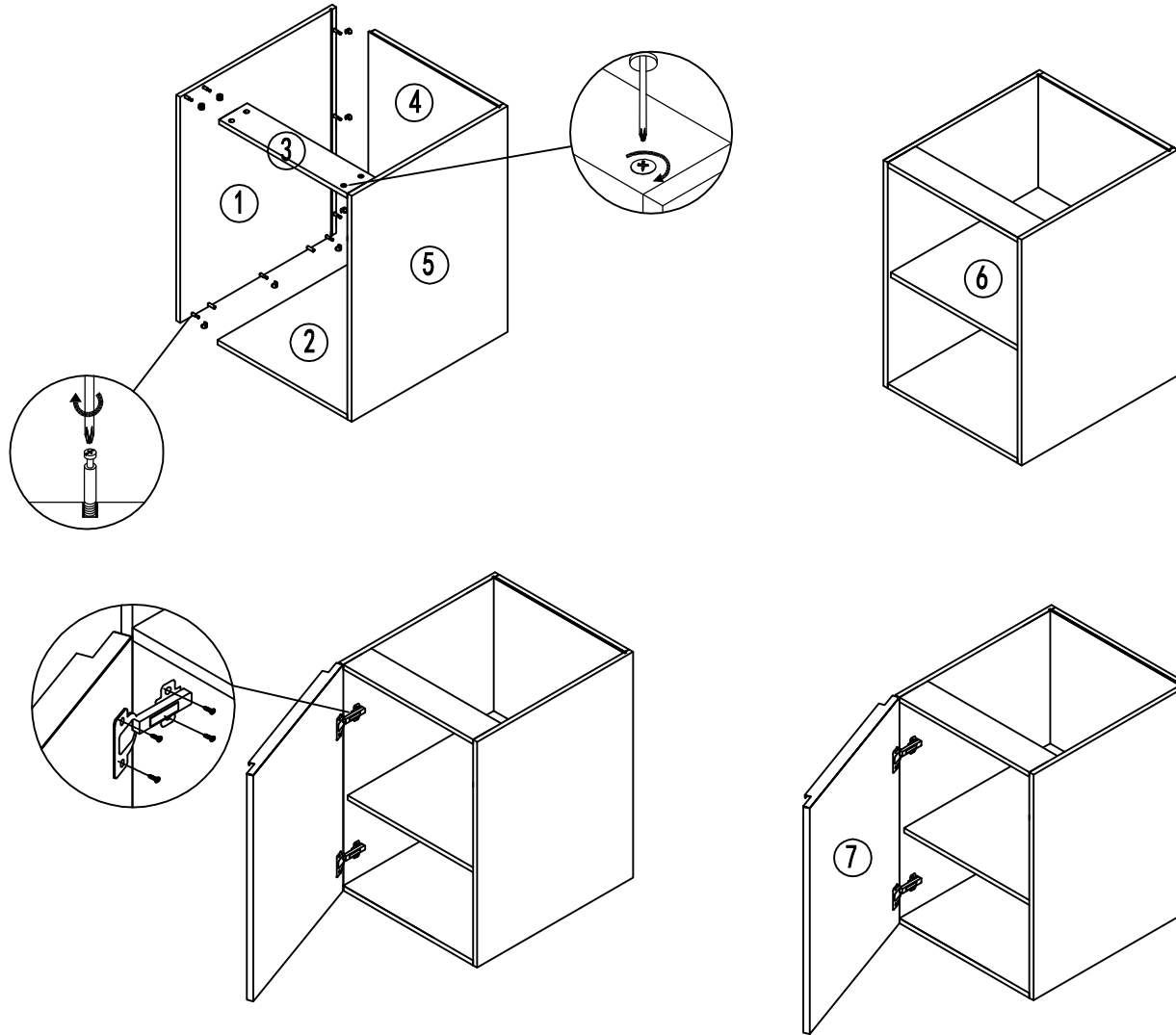
Part	L	W	T	QTY.	
1	Left panel	24"	21"	3/4"	1
2	Bottom panel	21"	19 1/2"	3/4"	1
3	Panel	19 1/2"	4 1/8"	3/4"	1
4	Back panel	23 3/8"	19 7/8"	7/8"	1
5	Right panel	24"	21"	3/4"	1
6	Shelf	19 1/2"	19 3/8"	3/4"	1
total 6					

DOOR

7	Door	20 7/8"	23 7/8"	3/4"	1
---	------	---------	---------	------	---

ASSEMBLY INSTRUCTION

FVB24



FVB24

PICTURE	ITEM	SPEC	QTY.
	Hinge	Damper hinges	2
	Cam lock	Ø15*13	16
	Cam lock screw	Ø8*35	16
	Dowel	Ø8*35	4
	Shelf support	Ø5	4

BOX

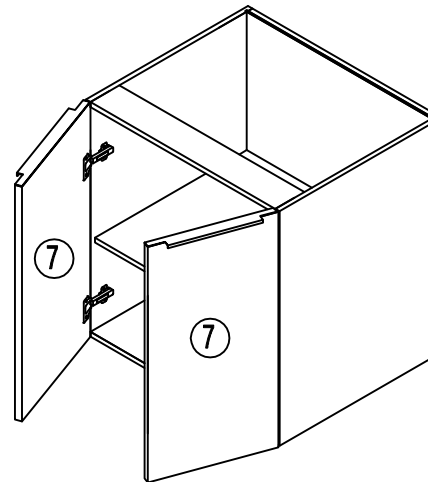
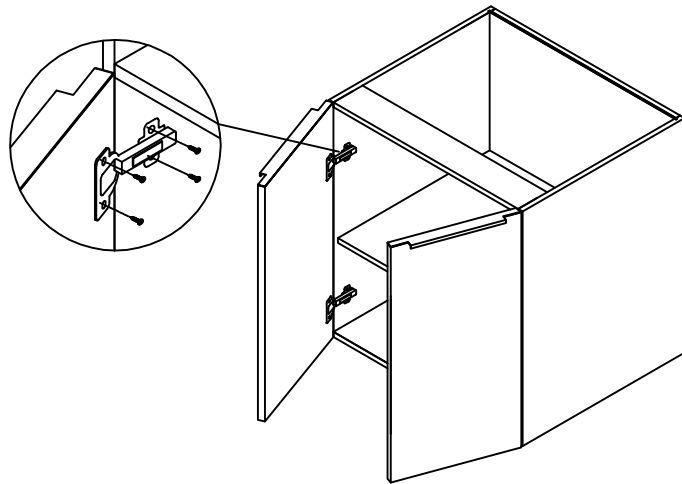
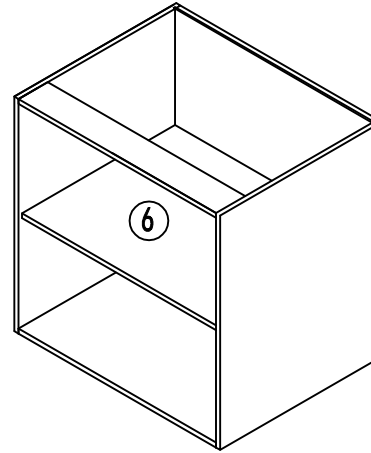
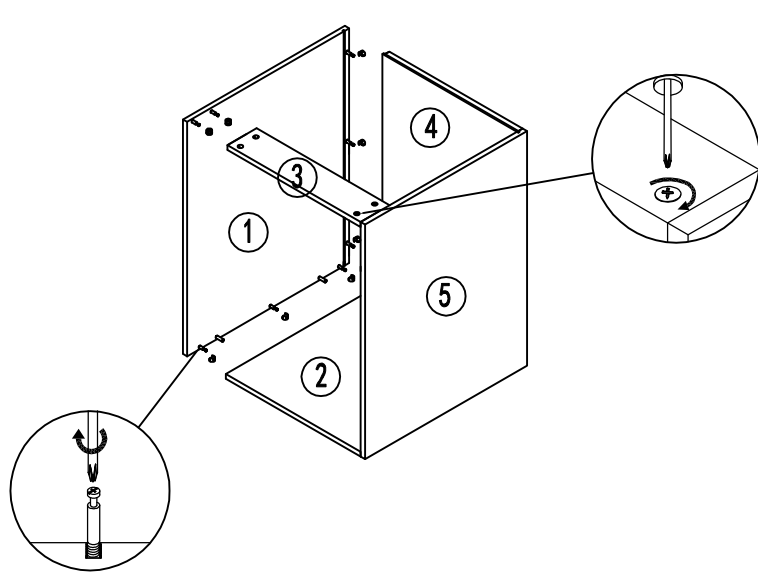
Part	L	W	T	QTY.	
1	Left panel	24"	21"	3/4"	1
2	Bottom panel	21"	22 1/2"	3/4"	1
3	Panel	22 1/2"	4 1/8"	3/4"	1
4	Back panel	23 3/8"	22 7/8"	7/8"	1
5	Right panel	24"	21"	3/4"	1
6	Shelf	19 1/2"	22 3/8"	3/4"	1
total 6					

DOOR

7	Door	23 7/8"	23 7/8"	3/4"	1
---	------	---------	---------	------	---

ASSEMBLY INSTRUCTION

FVB24DD



FVB24DD

PICTURE	ITEM	SPEC	QTY.
	Hinge	Damper hinges	4
	Cam lock	Ø15*13	16
	Cam lock screw	Ø8*35	16
	Dowel	Ø8*35	4
	Shelf support	Ø5	4

BOX

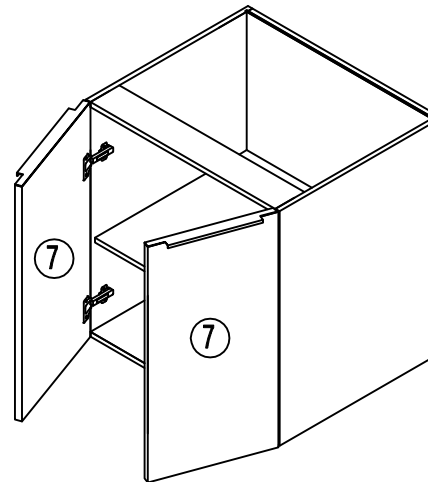
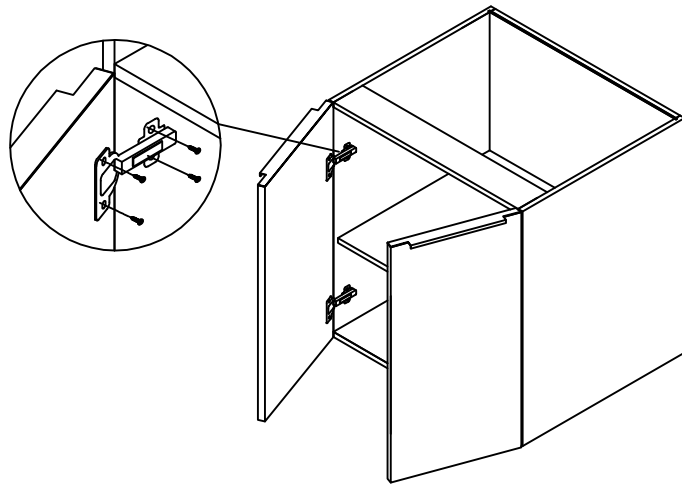
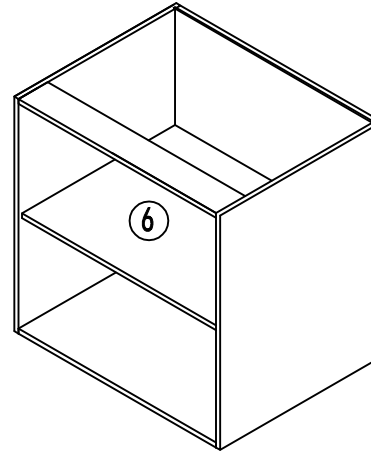
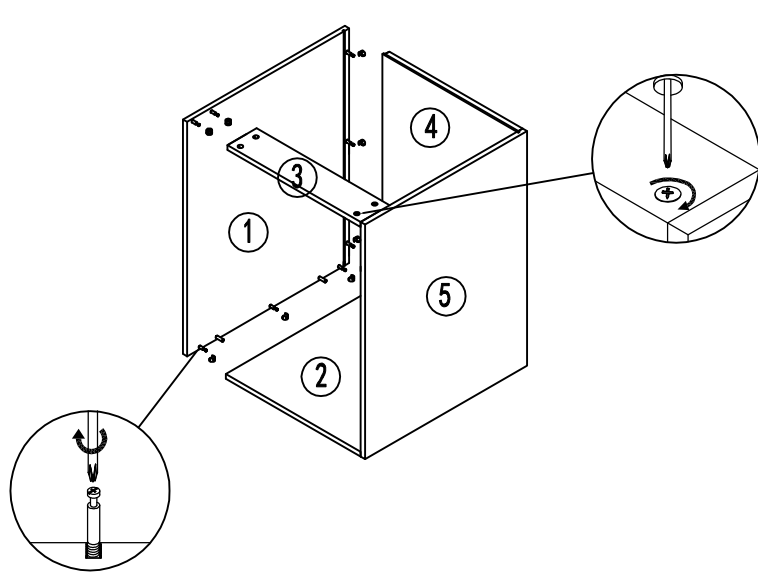
Part	L	W	T	QTY.	
1	Left panel	24"	21"	3/4"	1
2	Bottom panel	21"	22 1/2"	3/4"	1
3	Panel	22 1/2"	4 1/8"	3/4"	1
4	Back panel	23 3/8"	22 7/8"	7/8"	1
5	Right panel	24"	21"	3/4"	1
6	Shelf	19 1/2"	22 3/8"	3/4"	1
total 6					

DOOR

7	Door	11 7/8"	23 7/8"	3/4"	2
---	------	---------	---------	------	---

ASSEMBLY INSTRUCTION

FVB27



FVB27

PICTURE	ITEM	SPEC	QTY.
	Hinge	Damper hinges	4
	Cam lock	Ø15*13	16
	Cam lock screw	Ø8*35	16
	Dowel	Ø8*35	4
	Shelf support	Ø5	4

BOX

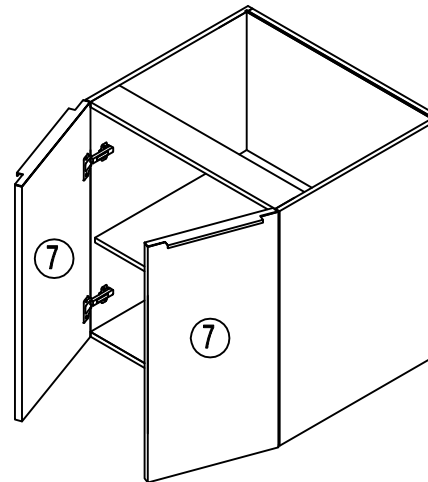
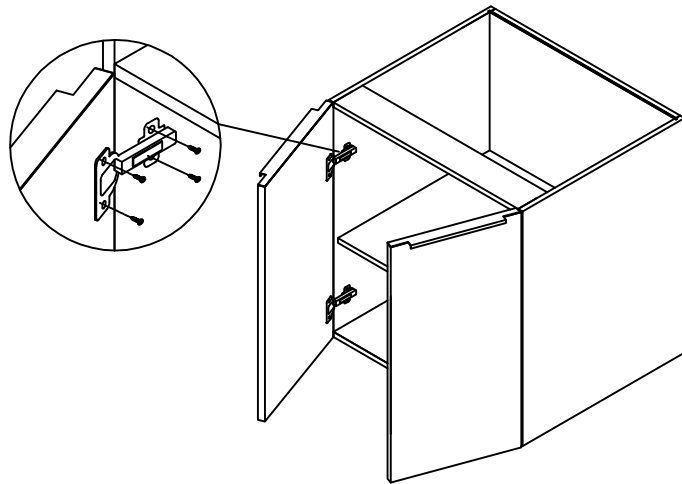
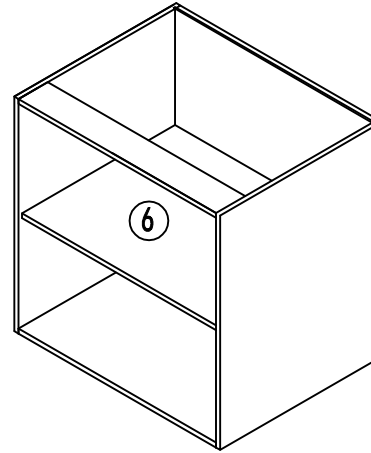
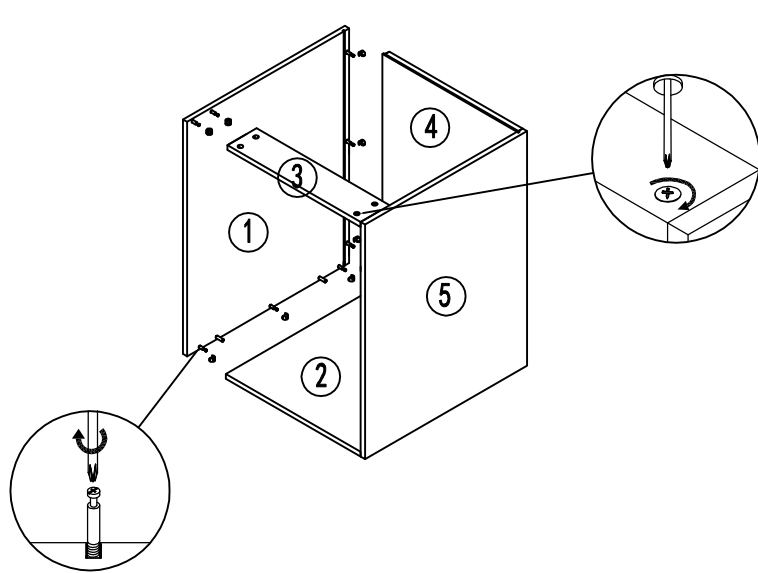
Part	L	W	T	QTY.
1 Left panel	24"	21"	3/4"	1
2 Bottom panel	21"	25 1/2"	3/4"	1
3 Panel	25 1/2"	4 1/8"	3/4"	1
4 Back panel	23 3/8"	25 7/8"	7/8"	1
5 Right panel	24"	21"	3/4"	1
6 Shelf	19 1/2"	25 3/8"	3/4"	1
total				6

DOOR

7 Door	13 3/8"	23 7/8"	3/4"	2
--------	---------	---------	------	---

ASSEMBLY INSTRUCTION

FVB30



FVB30

PICTURE	ITEM	SPEC	QTY.
	Hinge	Damper hinges	4
	Cam lock	Ø15*13	16
	Cam lock screw	Ø8*35	16
	Dowel	Ø8*35	4
	Shelf support	Ø5	4

BOX

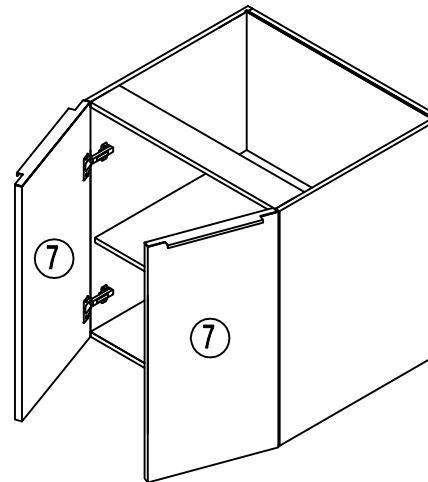
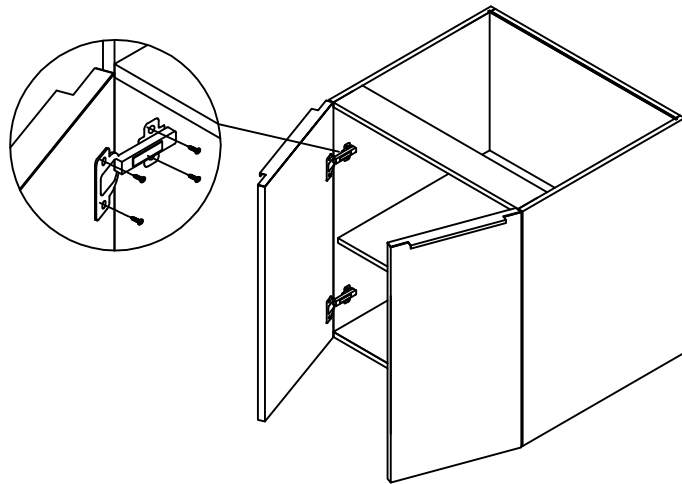
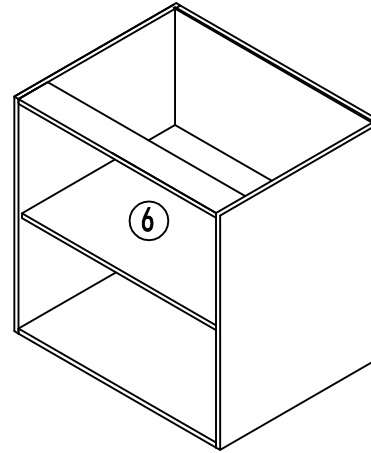
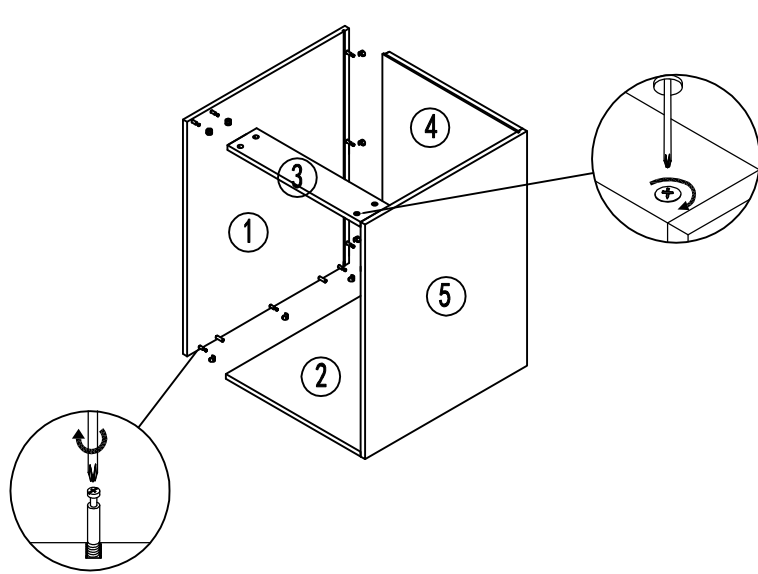
Part	L	W	T	QTY.	
1	Left panel	24"	21"	3/4"	1
2	Bottom panel	21"	28 1/2"	3/4"	1
3	Panel	28 1/2"	4 1/8"	3/4"	1
4	Back panel	23 3/8"	28 7/8"	7/8"	1
5	Right panel	24"	21"	3/4"	1
6	Shelf	19 1/2"	28 3/8"	3/4"	1
total 6					

DOOR

7	Door	14 7/8"	23 7/8"	3/4"	2
---	------	---------	---------	------	---

ASSEMBLY INSTRUCTION

FVB33



FVB33

PICTURE	ITEM	SPEC	QTY.
	Hinge	Damper hinges	4
	Cam lock	Ø15*13	16
	Cam lock screw	Ø8*35	16
	Dowel	Ø8*35	4
	Shelf support	Ø5	4

BOX

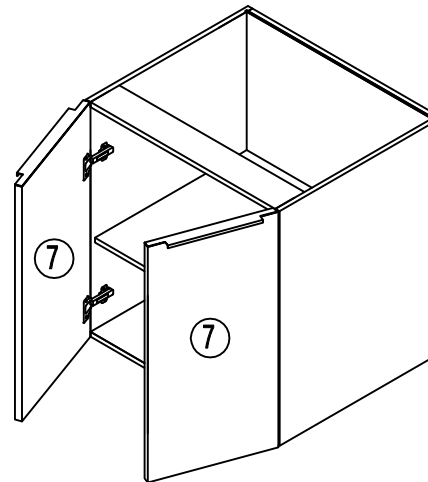
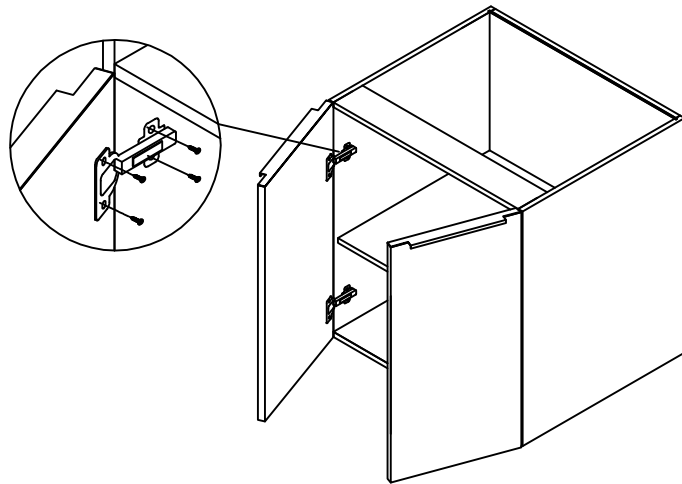
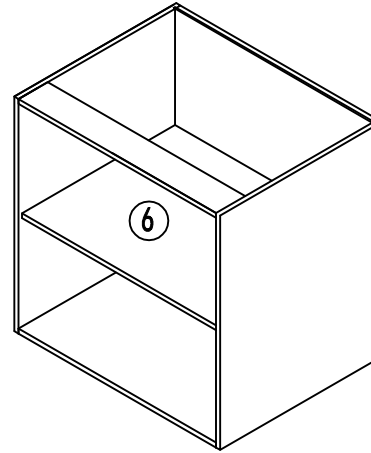
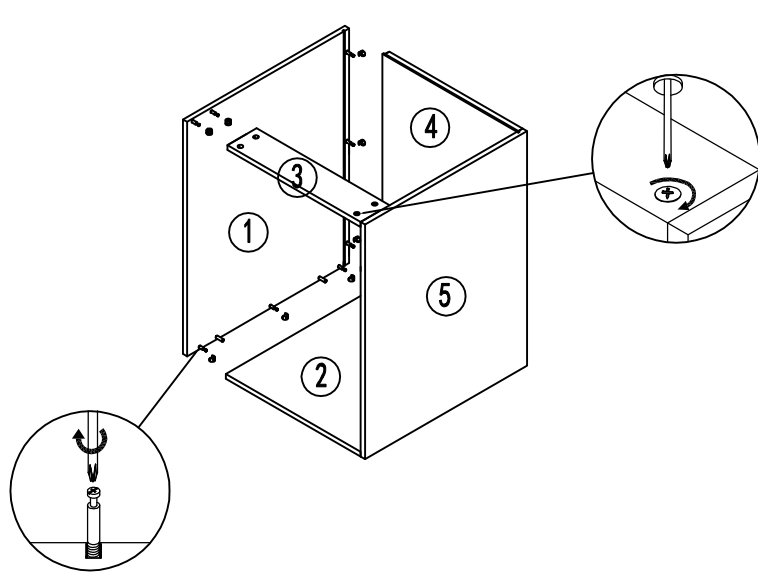
Part	L	W	T	QTY.	
1	Left panel	24"	21"	3/4"	1
2	Bottom panel	21"	31 1/2"	3/4"	1
3	Panel	31 1/2"	4 1/8"	3/4"	1
4	Back panel	23 3/8"	31 7/8"	7/8"	1
5	Right panel	24"	21"	3/4"	1
6	Shelf	19 1/2"	31 3/8"	3/4"	1
				total	6

DOOR

7	Door	16 3/8"	23 7/8"	3/4"	2
---	------	---------	---------	------	---

ASSEMBLY INSTRUCTION

FVB36



FVB36

PICTURE	ITEM	SPEC	QTY.
	Hinge	Damper hinges	4
	Cam lock	Ø15*13	16
	Cam lock screw	Ø8*35	16
	Dowel	Ø8*35	4
	Shelf support	Ø5	4

BOX

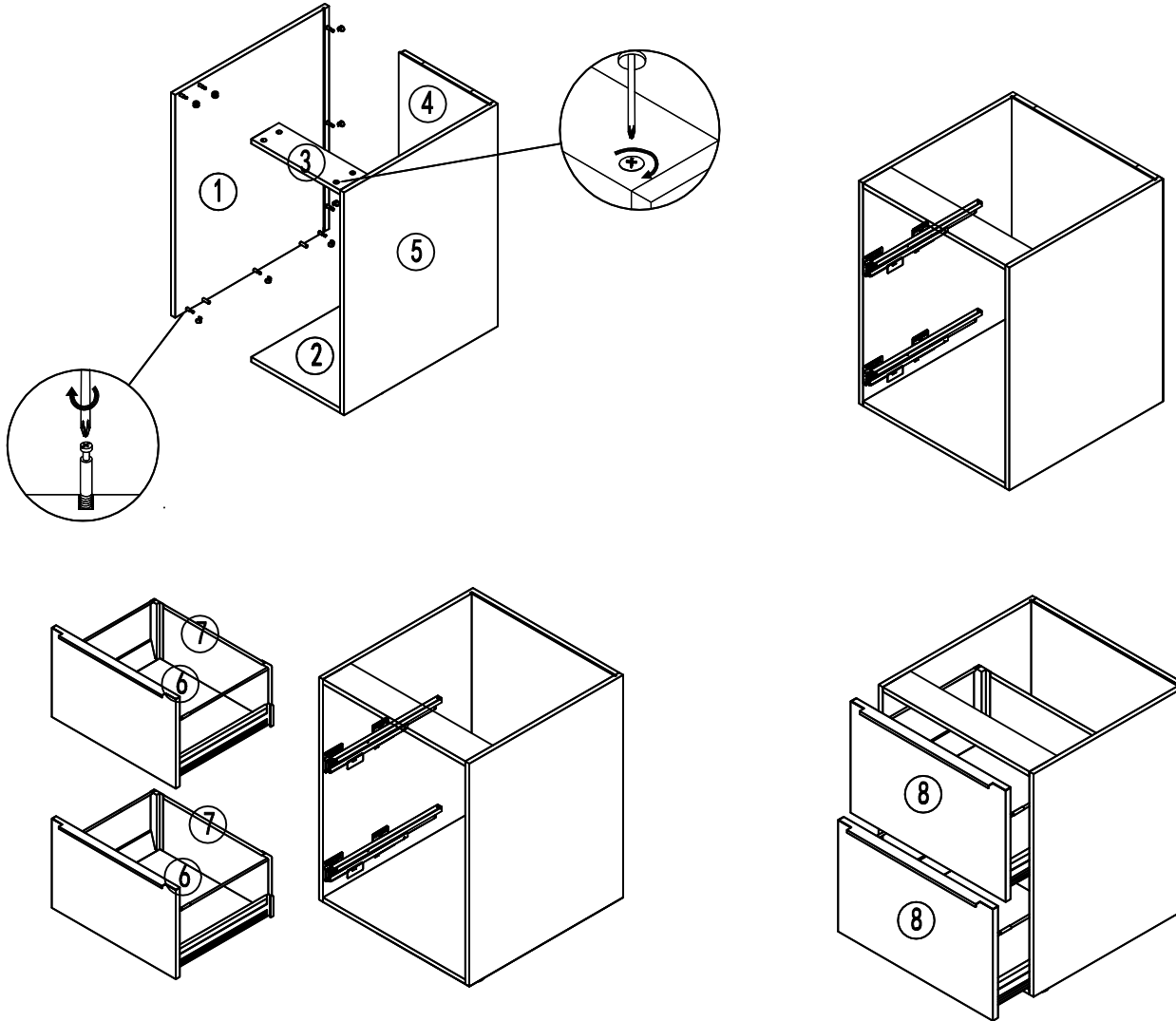
Part	L	W	T	QTY.
1 Left panel	24"	21"	3/4"	1
2 Bottom panel	21"	34 1/2"	3/4"	1
3 Panel	34 1/2"	4 1/8"	3/4"	1
4 Back panel	23 3/8"	34 7/8"	7/8"	1
5 Right panel	24"	21"	3/4"	1
6 Shelf	19 1/2"	34 3/8"	3/4"	1
total				6

DOOR

7 Door	17 7/8"	23 7/8"	3/4"	2
--------	---------	---------	------	---

ASSEMBLY INSTRUCTION

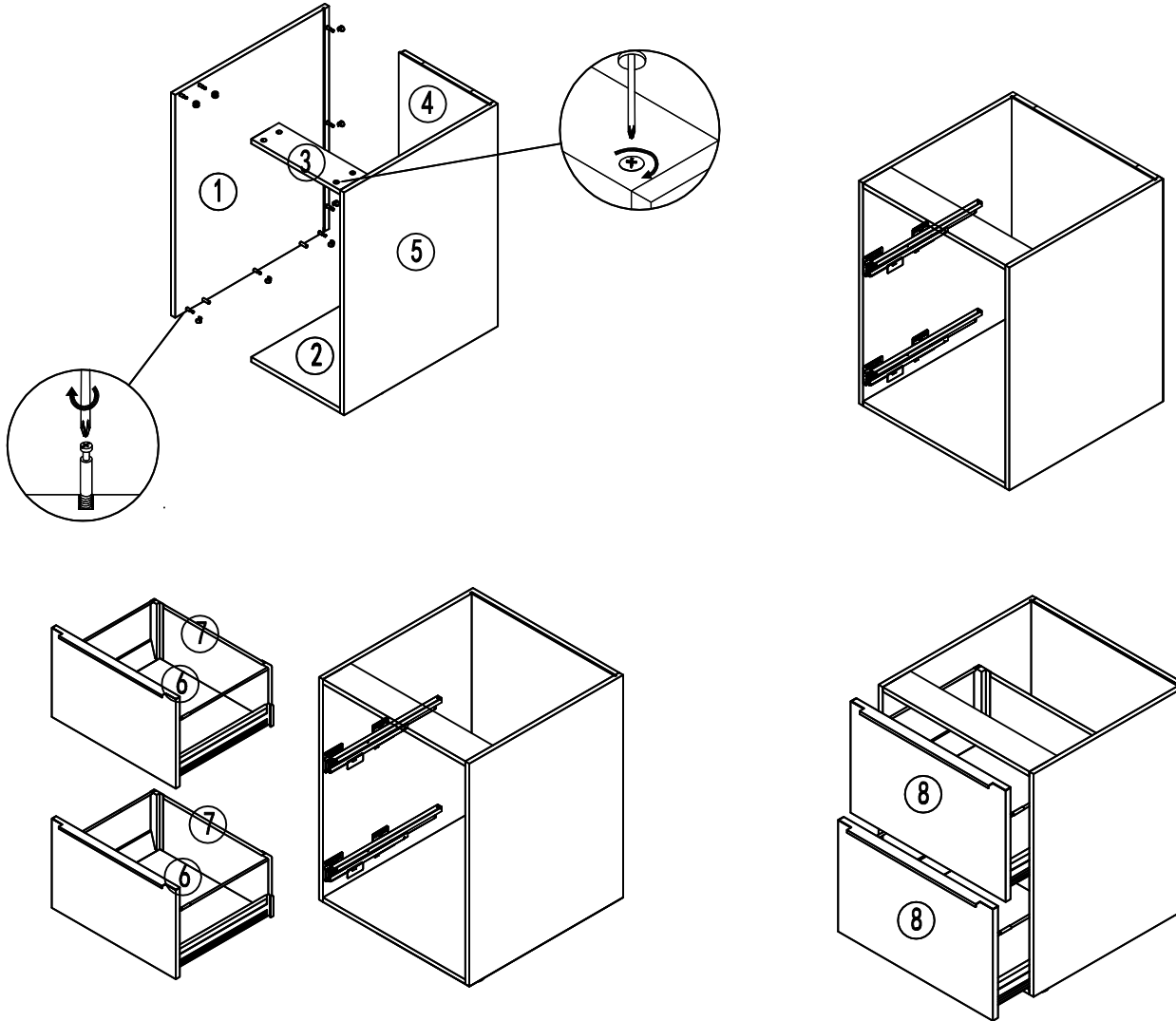
FVD12



FVD12				
PICTURE	ITEM	SPEC	QTY.	
	Cam lock	Ø15*13	16	
	Cam lock screw	Ø8*35	16	
	Dowel	Ø8*35	4	
	drawer slide (H)	Length=19 5/8"	2	
BOX				
Part	L	W	T	QTY.
1 Left panel	24"	21"	3/4"	1
2 Bottom panel	21"	10 1/2"	3/4"	1
3 Panel	10 1/2"	2 7/8"	3/4"	1
4 Back panel	23 3/8"	10 7/8"	7/8"	1
5 Right panel	24"	21"	3/4"	1
6 Drawer bottom panel	18 3/4"	7 5/8"	5/8"	2
7 Drawer back panel (H)	7 1/8"	7 7/8"	5/8"	2
total 9				
DOOR				
8 Drawer front	11 7/8"	11 7/8"	3/4"	2

ASSEMBLY INSTRUCTION

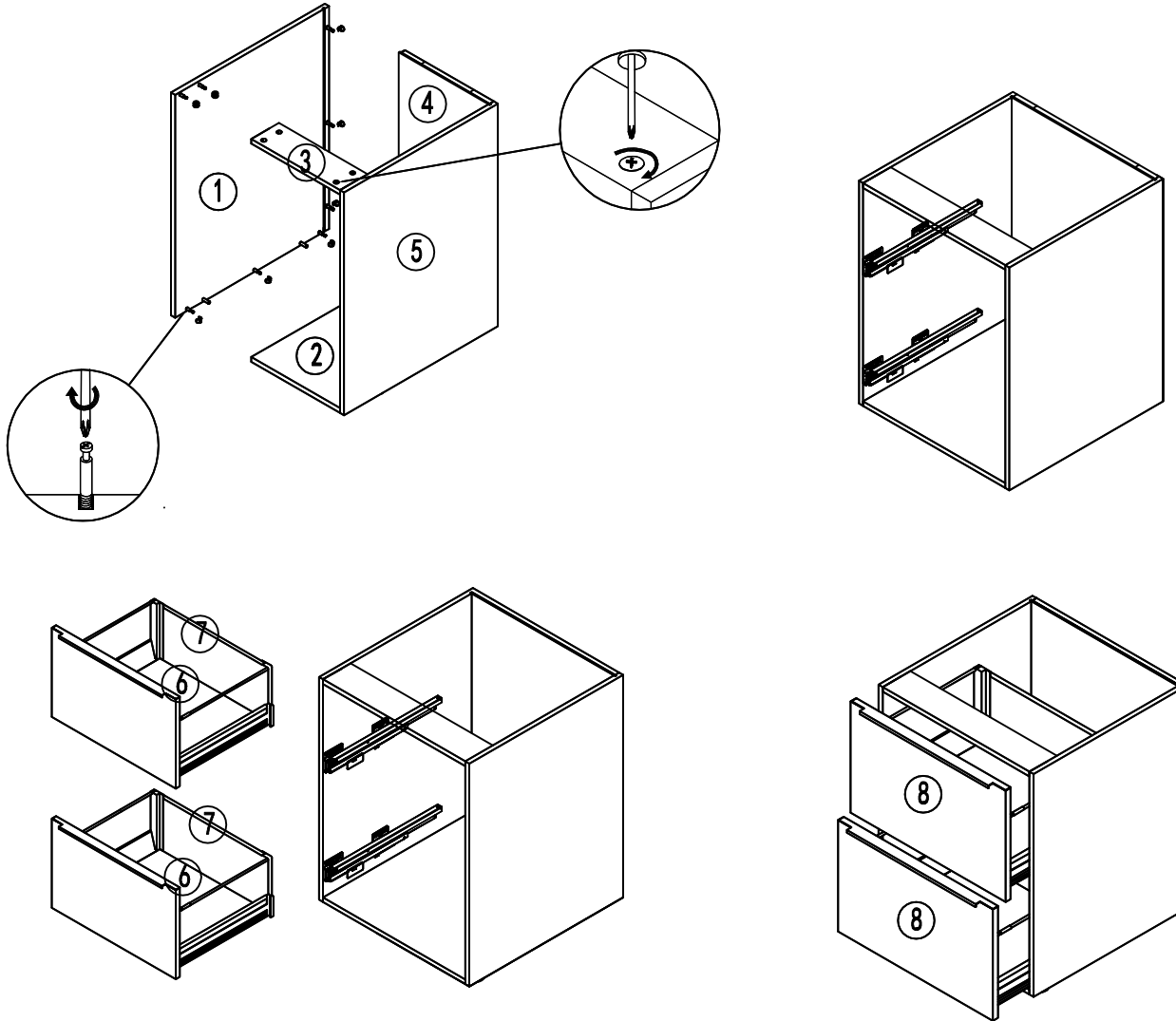
FVD15







FVD15				
PICTURE	ITEM	SPEC	QTY.	
	Cam lock	Ø15*13	16	
	Cam lock screw	Ø8*35	16	
	Dowel	Ø8*35	4	
	drawer slide (H)	Length=19 5/8"	2	
BOX				
Part	L	W	T	QTY.
1 Left panel	24"	21"	3/4"	1
2 Bottom panel	21"	13 1/2"	3/4"	1
3 Panel	13 1/2"	2 7/8"	3/4"	1
4 Back panel	23 3/8"	13 7/8"	7/8"	1
5 Right panel	24"	21"	3/4"	1
6 Drawer bottom panel	18 3/4"	10 5/8"	5/8"	2
7 Drawer back panel (H)	10 1/8"	7 7/8"	5/8"	2
total 9				
DOOR				
8 Drawer front	14 7/8"	11 7/8"	3/4"	2

ASSEMBLY INSTRUCTION

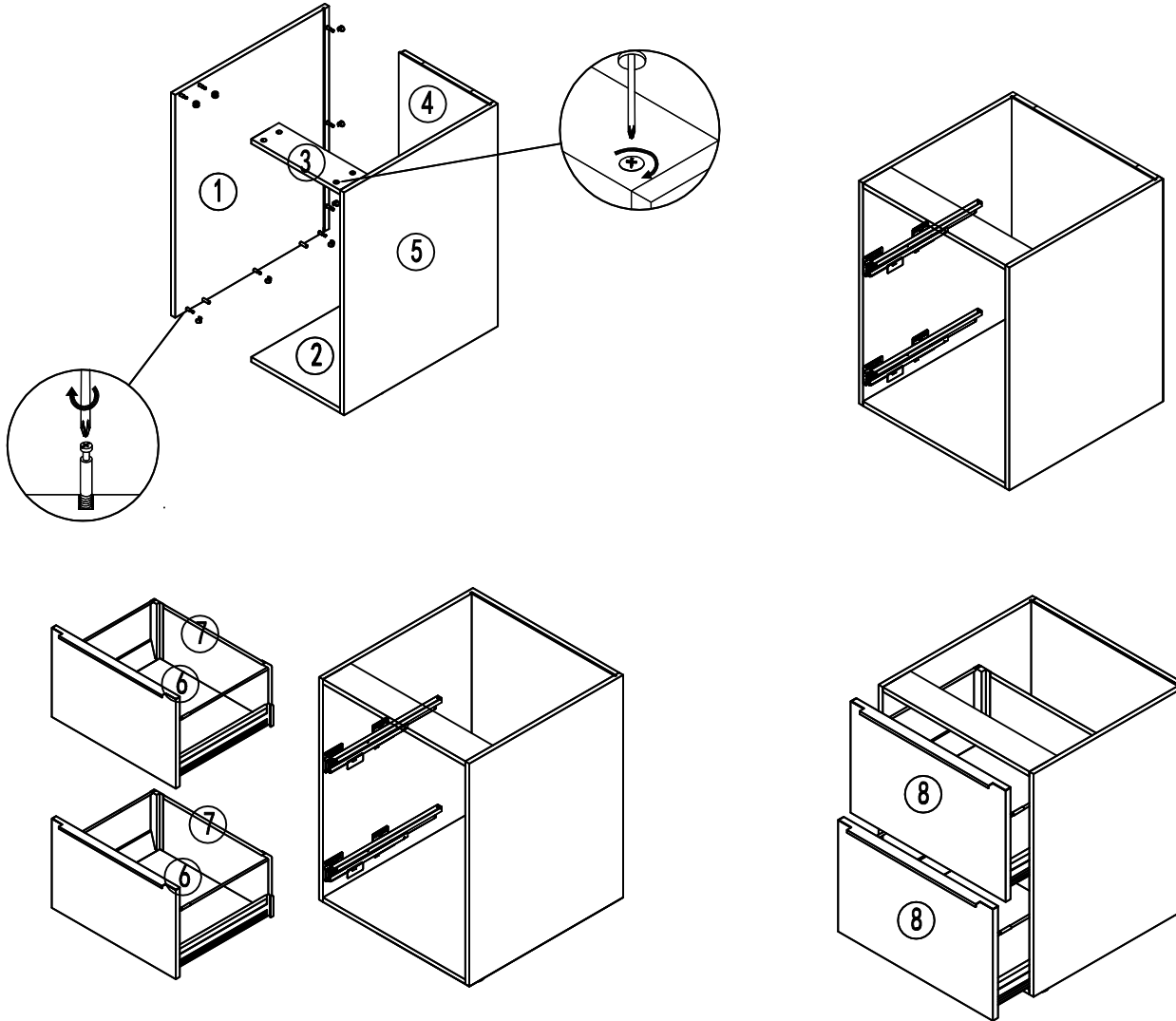
FVD18



FVD18					
PICTURE	ITEM	SPEC	QTY.		
	Cam lock	Ø15*13	16		
	Cam lock screw	Ø8*35	16		
	Dowel	Ø8*35	4		
	drawer slide (H)	Length=19 5/8"	2		
BOX					
	Part	L	W	T	QTY.
1	Left panel	24"	21"	3/4"	1
2	Bottom panel	21"	16 1/2"	3/4"	1
3	Panel	16 1/2"	2 7/8"	3/4"	1
4	Back panel	23 3/8"	16 7/8"	7/8"	1
5	Right panel	24"	21"	3/4"	1
6	Drawer bottom panel	18 3/4"	13 5/8"	5/8"	2
7	Drawer back panel (H)	13 1/8"	7 7/8"	5/8"	2
				total	9
DOOR					
8	Drawer front	17 7/8"	11 7/8"	3/4"	2

ASSEMBLY INSTRUCTION

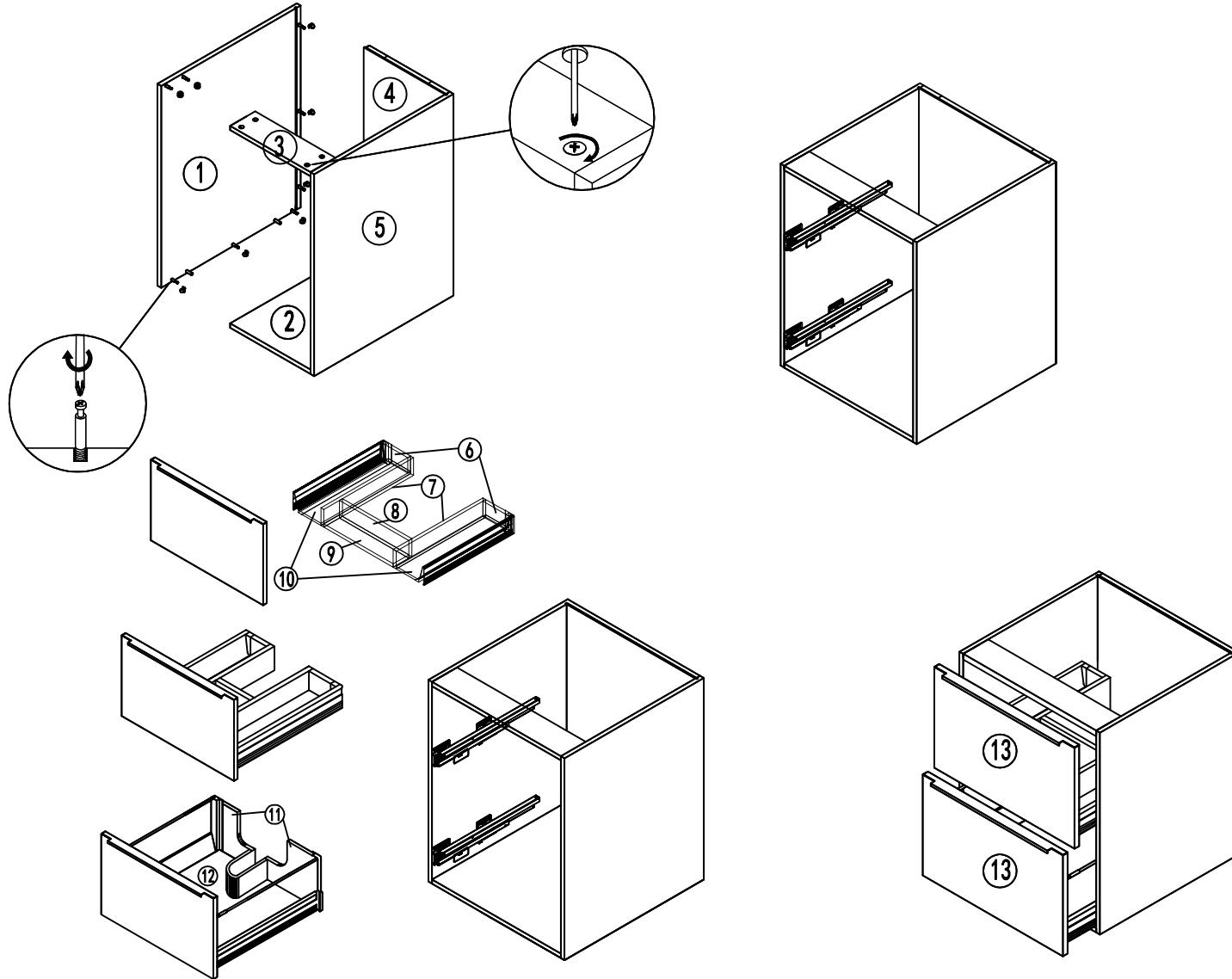
FVD21



FVD21				
PICTURE	ITEM	SPEC	QTY.	
	Cam lock	Ø15*13	16	
	Cam lock screw	Ø8*35	16	
	Dowel	Ø8*35	4	
	drawer slide (H)	Length=19 5/8"	2	
BOX				
Part	L	W	T	QTY.
1 Left panel	24"	21"	3/4"	1
2 Bottom panel	21"	19 1/2"	3/4"	1
3 Panel	19 1/2"	2 7/8"	3/4"	1
4 Back panel	23 3/8"	19 7/8"	7/8"	1
5 Right panel	24"	21"	3/4"	1
6 Drawer bottom panel	18 3/4"	16 5/8"	5/8"	2
7 Drawer back panel (H)	16 1/8"	7 7/8"	5/8"	2
total 9				
DOOR				
8 Drawer front	20 7/8"	11 7/8"	3/4"	2

ASSEMBLY INSTRUCTION

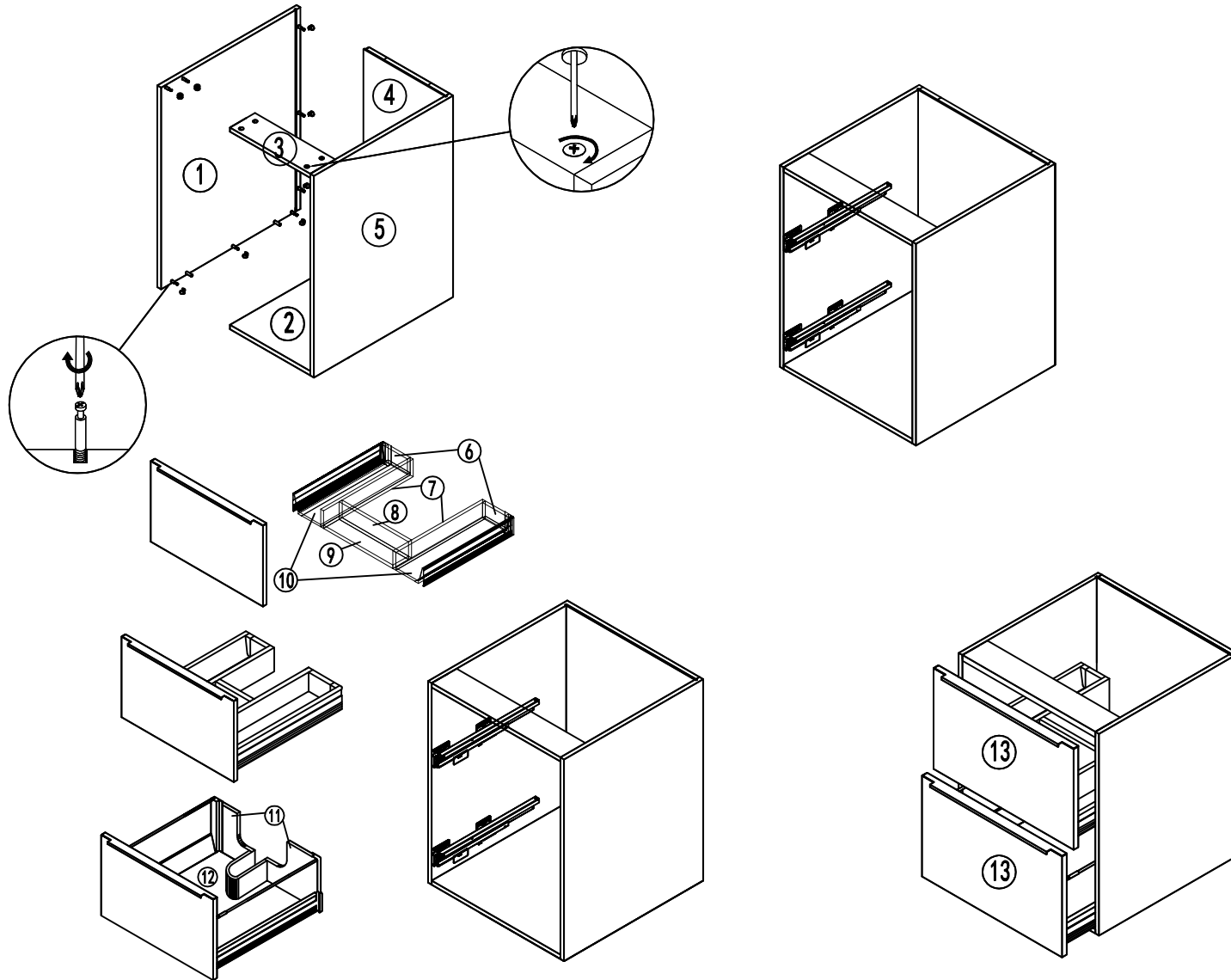
FVD24



FVD24				
PICTURE	ITEM	SPEC	QTY.	
	Cam lock	Ø15*13	34	
	Cam lock screw	Ø8*35	34	
	Dowel	Ø8*35	12	
	drawer slide (N)	Length=19 5/8"	1	
	drawer slide (H)	Length=19 5/8"	1	
	U-accessories	220*125*90	1	
BOX				
Part	L	W	T	QTY.
1 Left panel	24"	21"	3/4"	1
2 Bottom panel	21"	22 1/2"	3/4"	1
3 Panel	22 1/2"	2 7/8"	3/4"	1
4 Back panel	23 3/8"	22 7/8"	7/8"	1
5 Right panel	24"	21"	3/4"	1
6 Drawer back panel (W)	4 3/8"	3 1/4"	5/8"	2
7 Drawer side panel (W)	19 3/8"	3 1/4"	5/8"	2
8 Drawer back panel (W2)	9"	3 1/4"	5/8"	1
9 Drawer bottom panel (W)	9"	3 1/4"	5/8"	1
10 Drawer bottom panel (W2)	18 3/4"	4 5/8"	5/8"	2
11 Drawer back panel (W)	7 5/8"	7 7/8"	5/8"	2
12 Drawer bottom panel (W)	18 3/4"	19 5/8"	5/8"	1
total				16
DOOR				
13 Drawer front	23 7/8"	11 7/8"	3/4"	2

ASSEMBLY INSTRUCTION

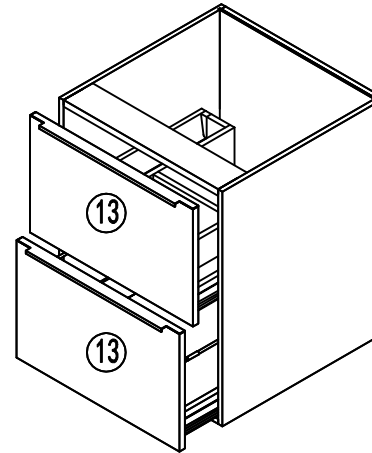
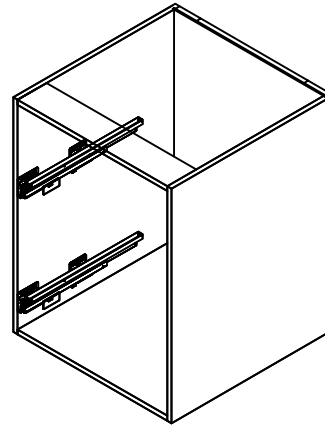
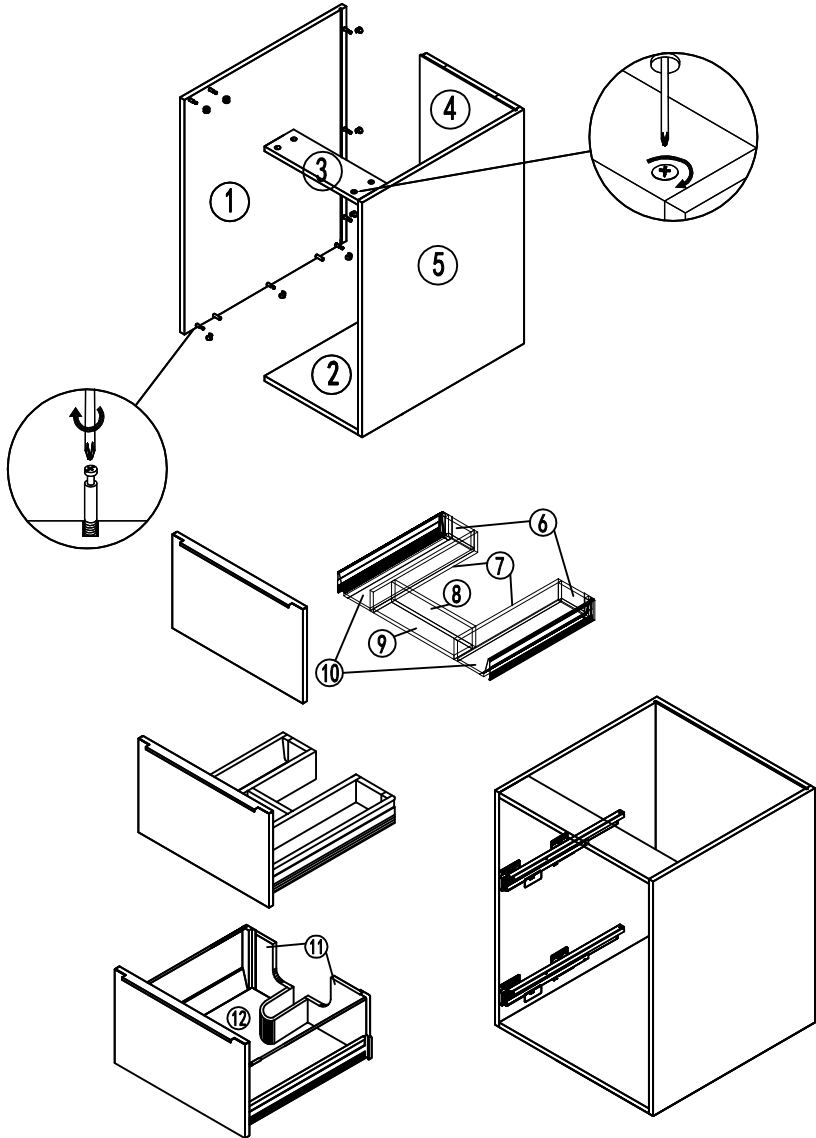
FVD27



FVD27				
PICTURE	ITEM	SPEC	QTY.	
	Cam lock	Ø15*13	34	
	Cam lock screw	Ø8*35	34	
	Dowel	Ø8*35	12	
	drawer slide (N)	Length=19 5/8"	1	
	drawer slide (H)	Length=19 5/8"	1	
	U-accessories	220*125*90	1	
BOX				
Part	L	W	T	QTY.
1 Left panel	24"	21"	3/4"	1
2 Bottom panel	21"	25 1/2"	3/4"	1
3 Panel	25 1/2"	2 7/8"	3/4"	1
4 Back panel	23 3/8"	25 7/8"	7/8"	1
5 Right panel	24"	21"	3/4"	1
6 Drawer back panel (W)	4 3/8"	3 1/4"	5/8"	2
7 Drawer side panel (W)	19 3/8"	3 1/4"	5/8"	2
8 Drawer back panel (W2)	12"	3 1/4"	5/8"	1
9 Drawer bottom panel (W)	12"	3 1/4"	5/8"	1
10 Drawer bottom panel (W2)	18 3/4"	4 5/8"	5/8"	2
11 Drawer back panel (W)	9 1/8"	7 7/8"	5/8"	2
12 Drawer bottom panel (W)	18 3/4"	22 5/8"	5/8"	1
total				16
DOOR				
13 Drawer front	26 7/8"	11 7/8"	3/4"	2

ASSEMBLY INSTRUCTION

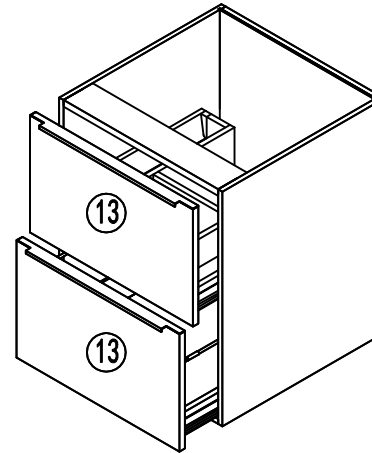
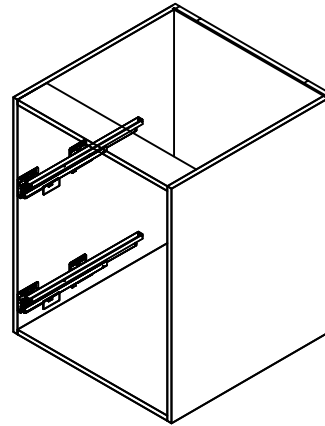
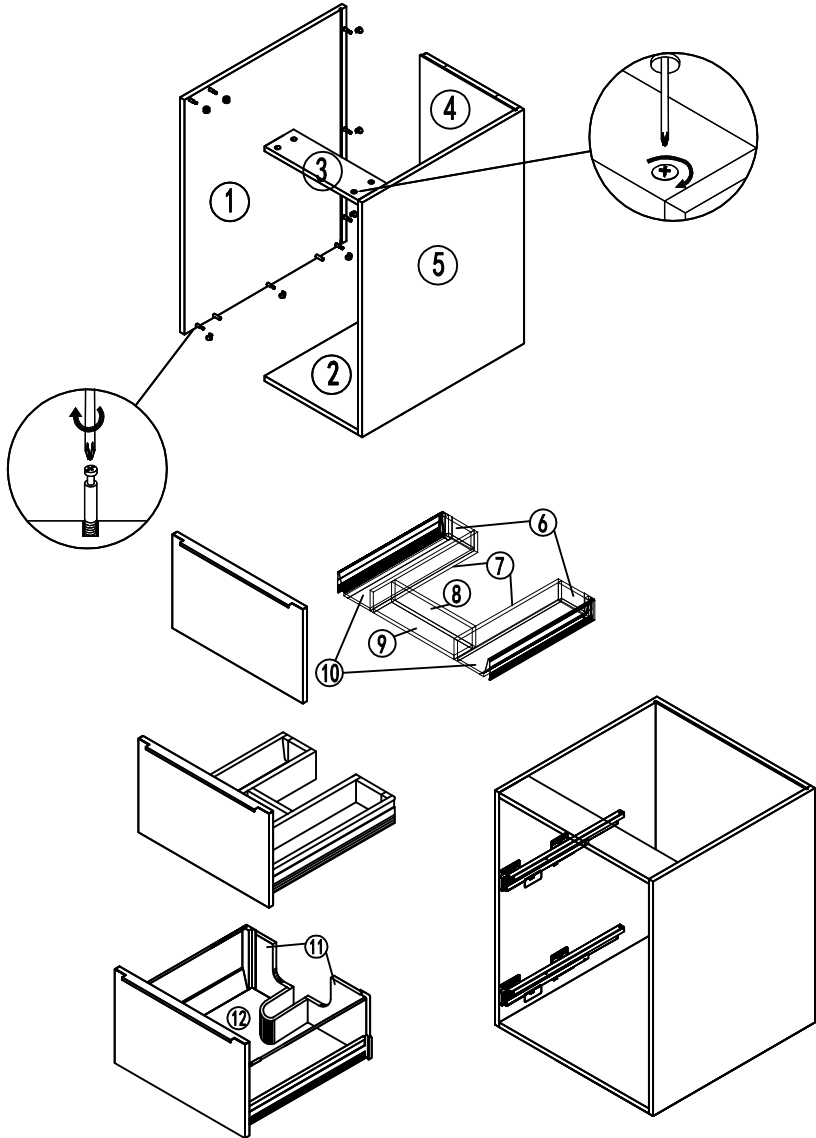
FVD30



FVD30				
PICTURE	ITEM	SPEC	QTY.	
	Cam lock	Ø15*13	34	
	Cam lock screw	Ø8*35	34	
	Dowel	Ø8*35	12	
	drawer slide (N)	Length=19 5/8"	1	
	drawer slide (H)	Length=19 5/8"	1	
	U-accessories	220*125*90	1	
BOX				
Part	L	W	T	QTY.
1 Left panel	24"	21"	3/4"	1
2 Bottom panel	21"	28 1/2"	3/4"	1
3 Panel	28 1/2"	2 7/8"	3/4"	1
4 Back panel	23 3/8"	28 7/8"	7/8"	1
5 Right panel	24"	21"	3/4"	1
6 Drawer back panel (W1)	4 3/8"	3 1/4"	5/8"	2
7 Drawer side panel (W)	19 3/8"	3 1/4"	5/8"	2
8 Drawer back panel (W2)	15"	3 1/4"	5/8"	1
9 Drawer bottom panel (W1)	15"	3 1/4"	5/8"	1
10 Drawer bottom panel (W2)	18 3/4"	4 5/8"	5/8"	2
11 Drawer back panel (H)	10 5/8"	7 7/8"	5/8"	2
12 Drawer bottom panel (H)	18 3/4"	25 5/8"	5/8"	1
total				16
DOOR				
13 Drawer front	29 7/8"	11 7/8"	3/4"	2

ASSEMBLY INSTRUCTION

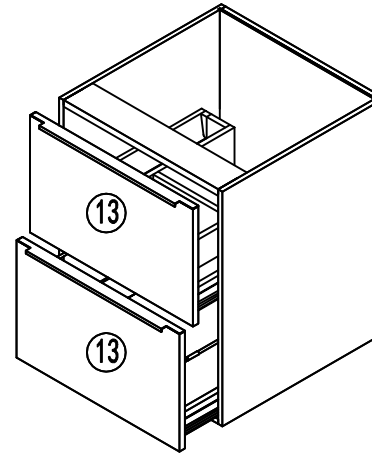
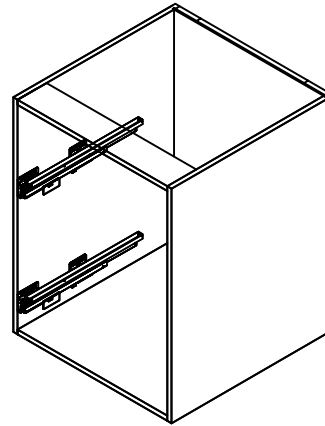
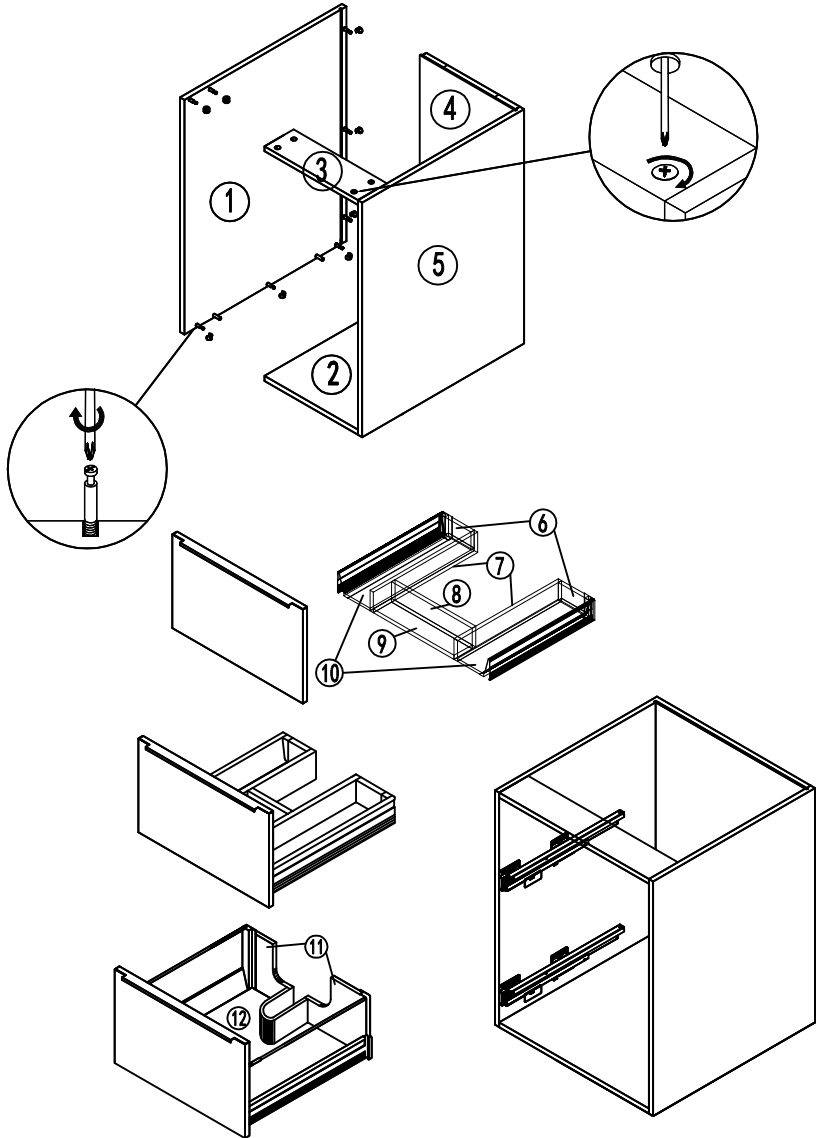
FVD36



FVD36					
PICTURE	ITEM	SPEC	QTY.		
	Cam lock	Ø15*13	34		
	Cam lock screw	Ø8*35	34		
	Dowel	Ø8*35	12		
	drawer slide (N)	Length=19 5/8"	1		
	drawer slide (H)	Length=19 5/8"	1		
	U-accessories	220*125*90	1		
BOX					
Part	L	W	T	QTY.	
1	Left panel	24"	21"	3/4"	1
2	Bottom panel	21"	34 1/2"	3/4"	1
3	Panel	34 1/2"	2 7/8"	3/4"	1
4	Back panel	23 3/8"	34 7/8"	7/8"	1
5	Right panel	24"	21"	3/4"	1
6	Drawer back panel (W)	4 3/8"	3 1/4"	5/8"	2
7	Drawer side panel (W)	19 3/8"	3 1/4"	5/8"	2
8	Drawer back panel (W2)	21"	3 1/4"	5/8"	1
9	Drawer bottom panel (W)	21"	3 1/4"	5/8"	1
10	Drawer bottom panel (W2)	18 3/4"	4 5/8"	5/8"	2
11	Drawer back panel (H)	13 5/8"	7 7/8"	5/8"	2
12	Drawer bottom panel (H)	18 3/4"	31 5/8"	5/8"	1
total				16	
DOOR					
13	Drawer front	35 7/8"	11 7/8"	3/4"	2

ASSEMBLY INSTRUCTION

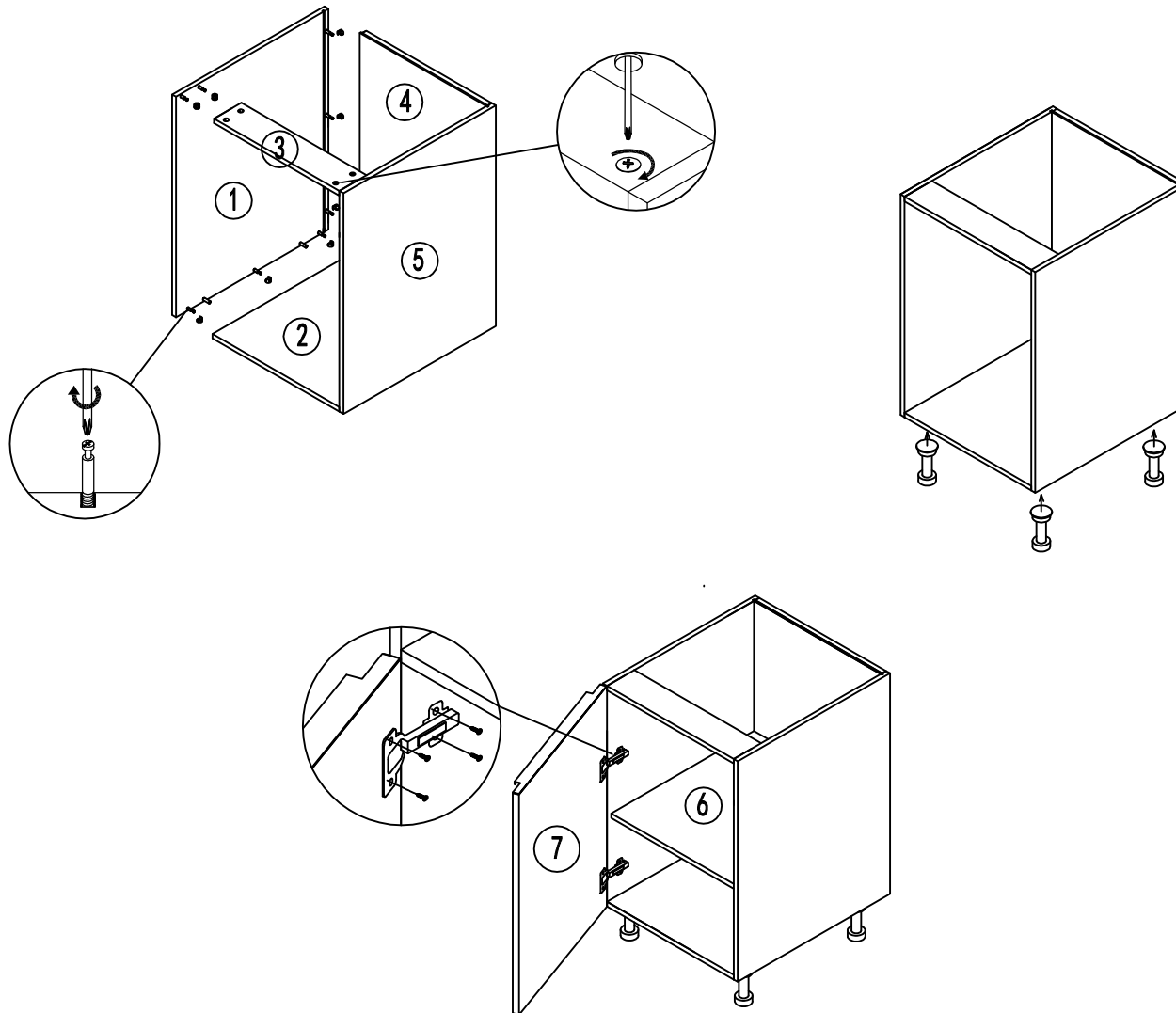
FVD33



FVD33				
PICTURE	ITEM	SPEC	QTY.	
	Cam lock	Ø15*13	34	
	Cam lock screw	Ø8*35	34	
	Dowel	Ø8*35	12	
	drawer slide (N)	Length=19 5/8"	1	
	drawer slide (H)	Length=19 5/8"	1	
	U-accessories	220*125*90	1	
BOX				
Part	L	W	T	QTY.
1 Left panel	24"	21"	3/4"	1
2 Bottom panel	21"	31 1/2"	3/4"	1
3 Panel	31 1/2"	2 7/8"	3/4"	1
4 Back panel	23 3/8"	31 7/8"	7/8"	1
5 Right panel	24"	21"	3/4"	1
6 Drawer back panel (W)	4 3/8"	3 1/4"	5/8"	2
7 Drawer side panel (W)	19 3/8"	3 1/4"	5/8"	2
8 Drawer back panel (W2)	18"	3 1/4"	5/8"	1
9 Drawer bottom panel (W)	18"	3 1/4"	5/8"	1
10 Drawer bottom panel (W2)	18 3/4"	4 5/8"	5/8"	2
11 Drawer back panel (H)	10 5/8"	7 7/8"	5/8"	2
12 Drawer bottom panel (H)	18 3/4"	28 5/8"	5/8"	1
total				16
DOOR				
13 Drawer front	31 7/8"	11 7/8"	3/4"	2

ASSEMBLY INSTRUCTION

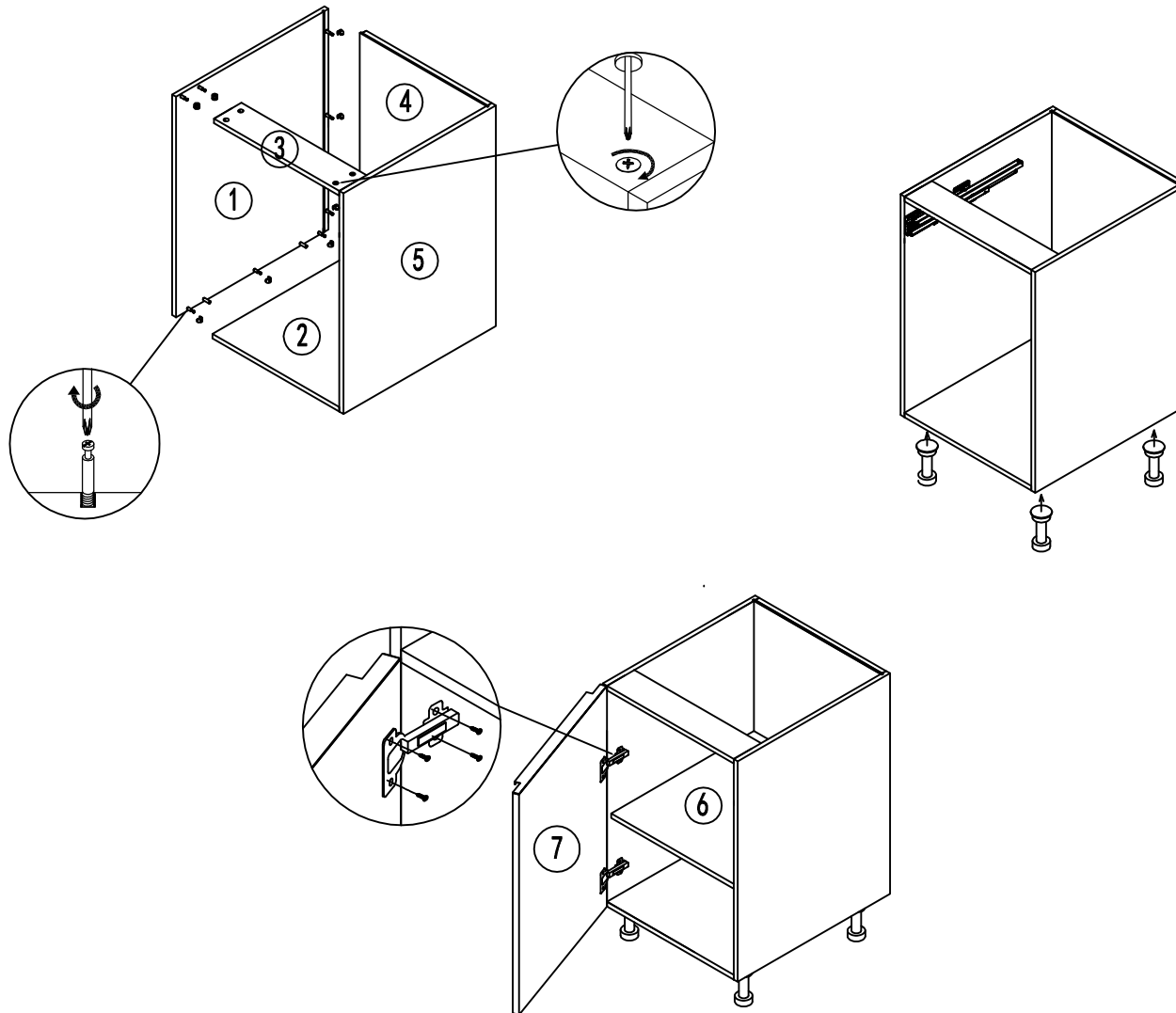
VB15FD



VB15FD					
PICTURE	ITEM	SPEC	QTY.		
	Hinge	Damper hinges	2		
	Cam lock	Ø15*13	16		
	Cam lock screw	Ø8*35	16		
	Dowel	Ø8*35	4		
	Shelf support	Ø5	4		
	ABS Leg	4 3/4" ±3/4"	4		
BOX					
Part	L	W	T	QTY.	
1	Left panel	30"	21"	3/4"	1
2	Bottom panel	21"	13 1/2"	3/4"	1
3	Panel	13 1/2"	4 1/8"	3/4"	1
4	Back panel	29 3/8"	13 7/8"	7/8"	1
5	Right panel	30"	21"	3/4"	1
6	Shelf	22 3/8"	13 1/2"	3/4"	1
total				6	
DOOR					
7	Door	14 7/8"	29 7/8"	3/4"	1

ASSEMBLY INSTRUCTION

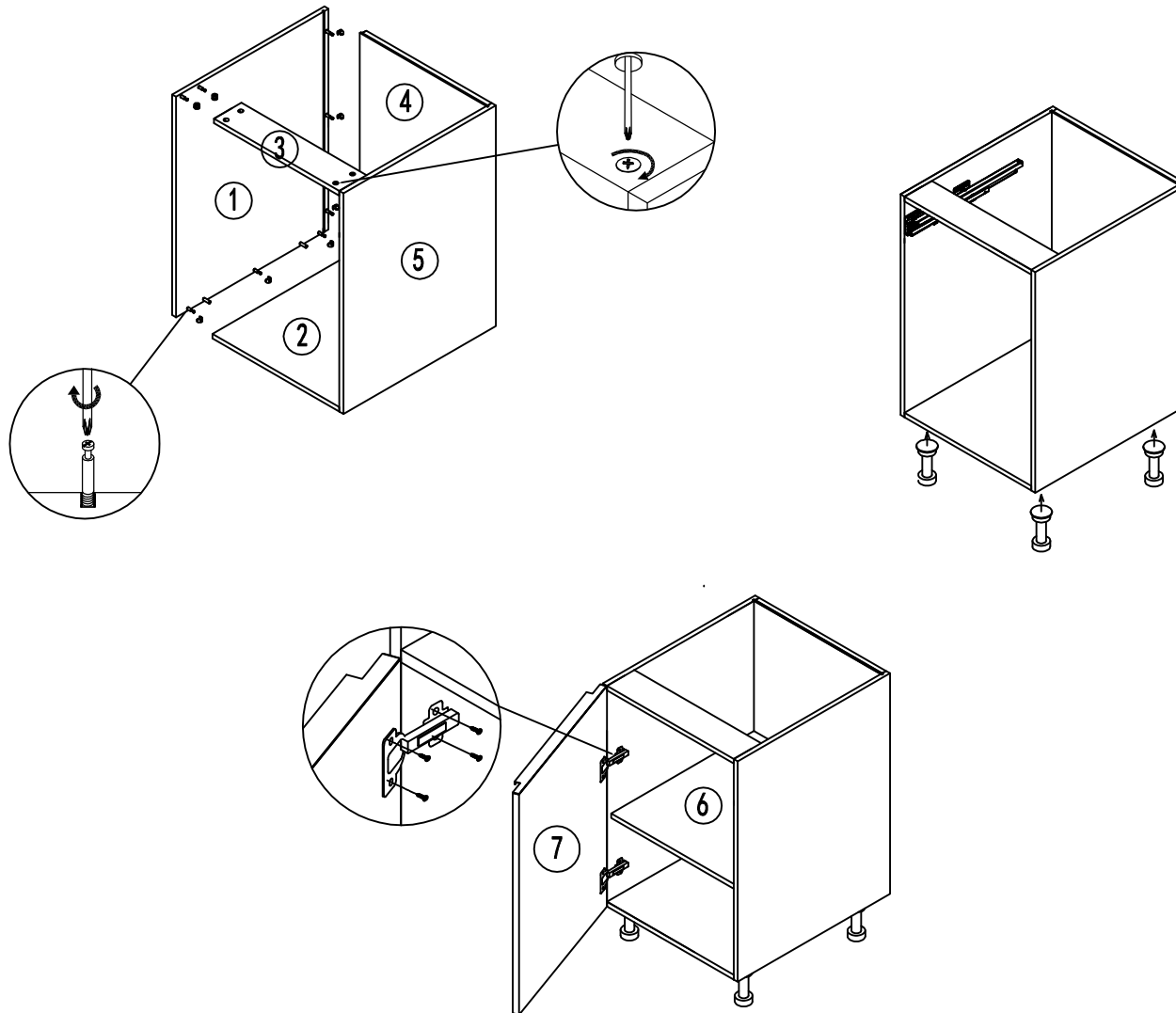
VB18FD



VB18FD					
PICTURE	ITEM	SPEC	QTY.		
	Hinge	Damper hinges	2		
	Cam lock	Ø15*13	16		
	Cam lock screw	Ø8*35	16		
	Dowel	Ø8*35	4		
	Shelf support	Ø5	4		
	ABS Leg	4 3/4" ± 3/4"	4		
BOX					
Part	L	W	T	QTY.	
1	Left panel	30"	21"	3/4"	1
2	Bottom panel	21"	16 1/2"	3/4"	1
3	Panel	16 1/2"	4 1/8"	3/4"	1
4	Back panel	29 3/8"	16 7/8"	7/8"	1
5	Right panel	30"	21"	3/4"	1
6	Shelf	22 3/8"	16 1/2"	3/4"	1
total				6	
DOOR					
7	Door	17 7/8"	29 7/8"	3/4"	1

ASSEMBLY INSTRUCTION

VB21FD



VB21FD

PICTURE	ITEM	SPEC	QTY.
	Hinge	Damper hinges	2
	Cam lock	Ø15*13	16
	Cam lock screw	Ø8*35	16
	Dowel	Ø8*35	4
	Shelf support	Ø5	4
	ABS Leg	4 3/4" ± 3/4"	4

BOX

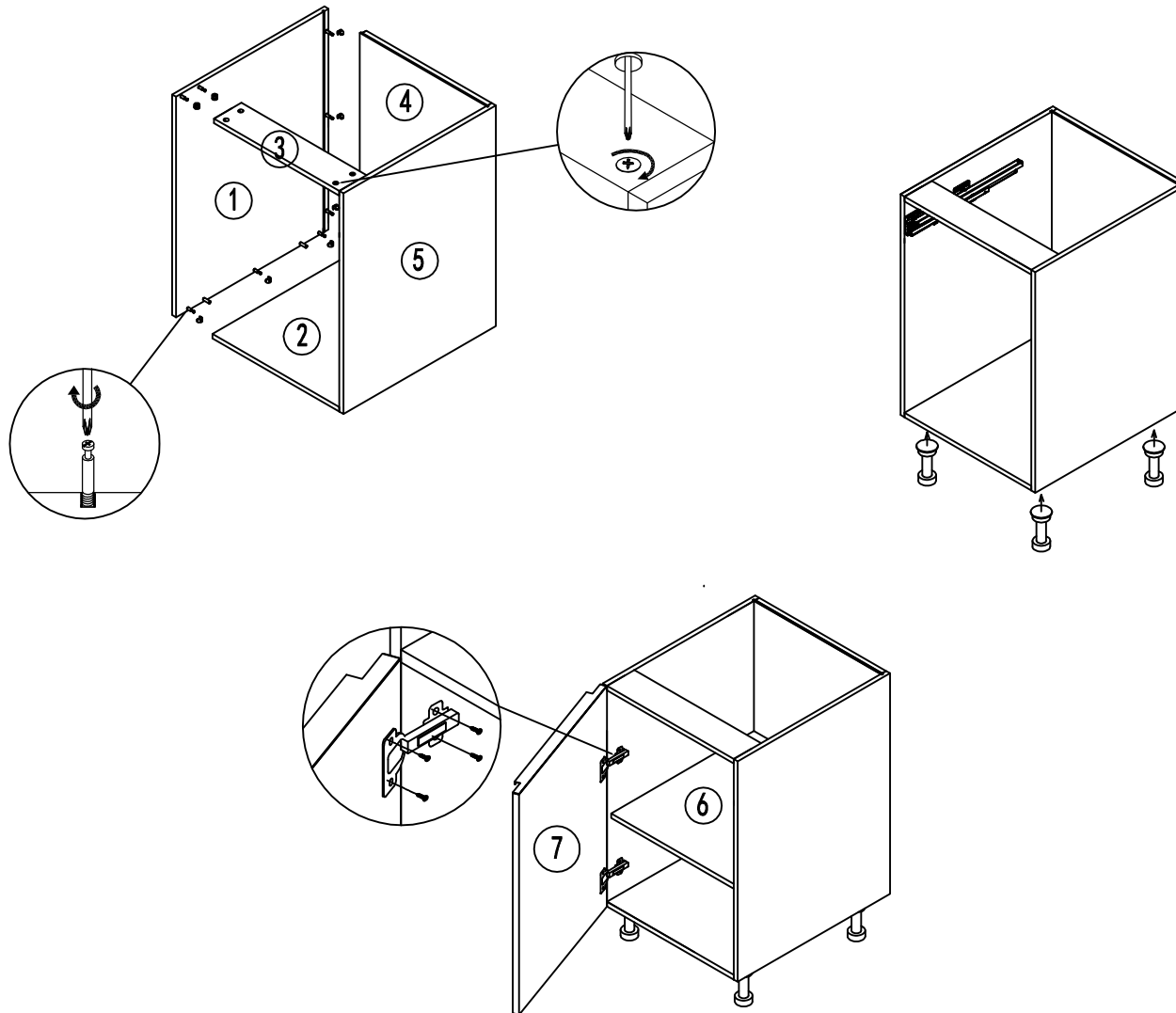
Part	L	W	T	QTY.	
1	Left panel	30"	21"	3/4"	1
2	Bottom panel	21"	19 1/2"	3/4"	1
3	Panel	19 1/2"	4 1/8"	3/4"	1
4	Back panel	29 3/8"	19 7/8"	7/8"	1
5	Right panel	30"	21"	3/4"	1
6	Shelf	22 3/8"	19 1/2"	3/4"	1
total 6					

DOOR

7	Door	20 7/8"	29 7/8"	3/4"	1
---	------	---------	---------	------	---

ASSEMBLY INSTRUCTION

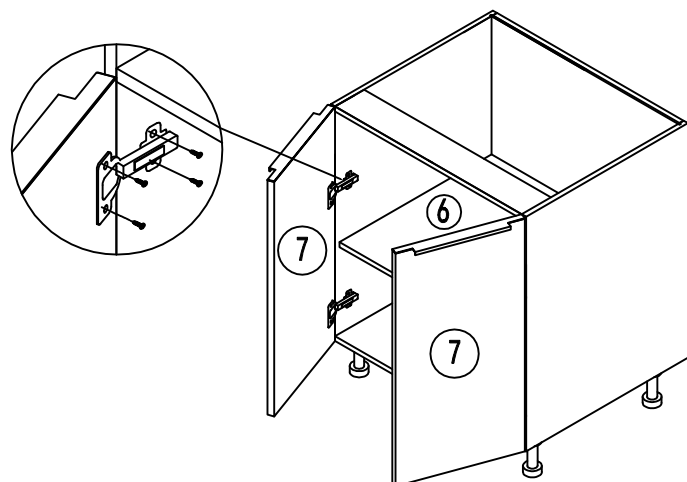
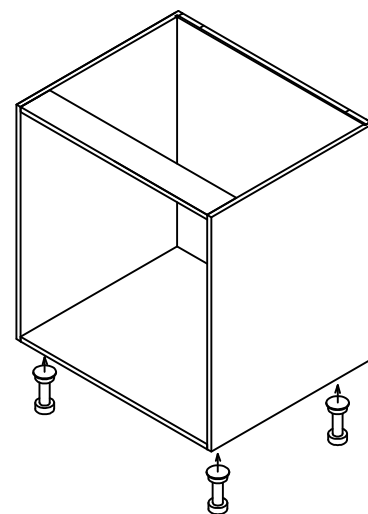
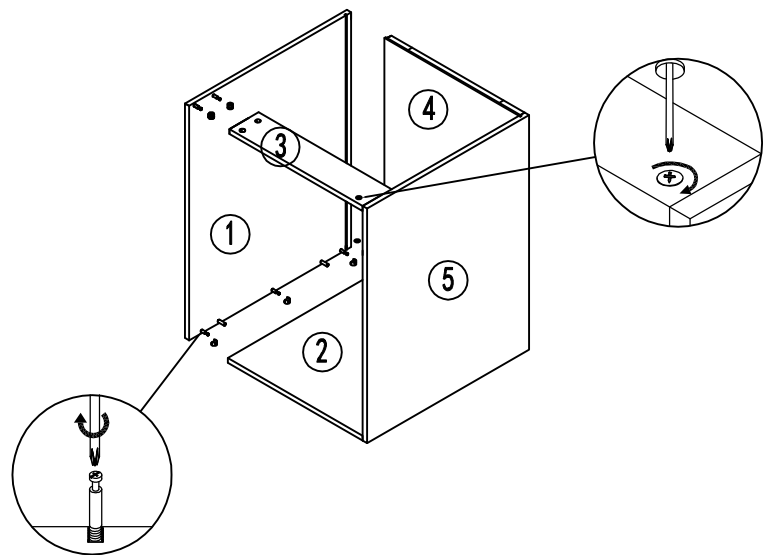
VB24FD



VB24FD					
PICTURE	ITEM	SPEC	QTY.		
	Hinge	Damper hinges	2		
	Cam lock	Ø15*13	16		
	Cam lock screw	Ø8*35	16		
	Dowel	Ø8*35	4		
	Shelf support	Ø5	4		
	ABS Leg	4 3/4" ± 3/4"	4		
BOX					
	Part	L	W	T	QTY.
1	Left panel	30"	21"	3/4"	1
2	Bottom panel	21"	22 1/2"	3/4"	1
3	Panel	22 1/2"	4 1/8"	3/4"	1
4	Back panel	29 3/8"	22 7/8"	7/8"	1
5	Right panel	30"	21"	3/4"	1
6	Shelf	22 3/8"	22 1/2"	3/4"	1
total 6					
DOOR					
7	Door	23 7/8"	29 7/8"	3/4"	1

ASSEMBLY INSTRUCTION

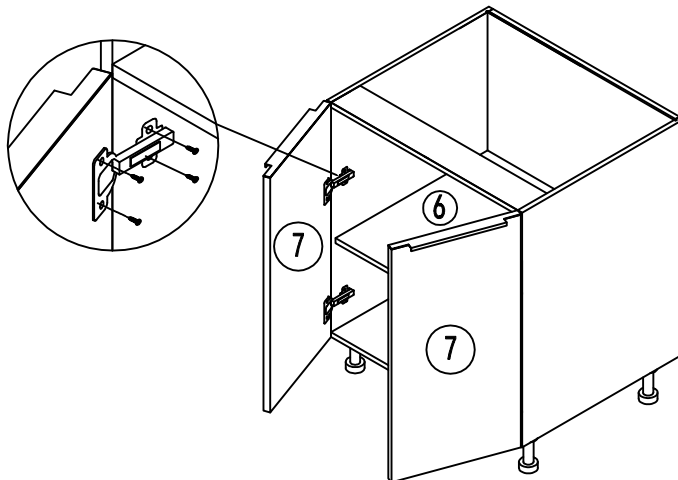
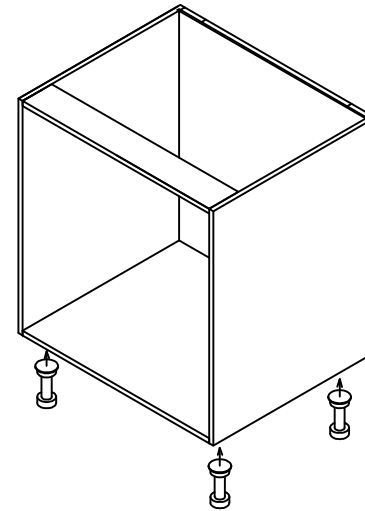
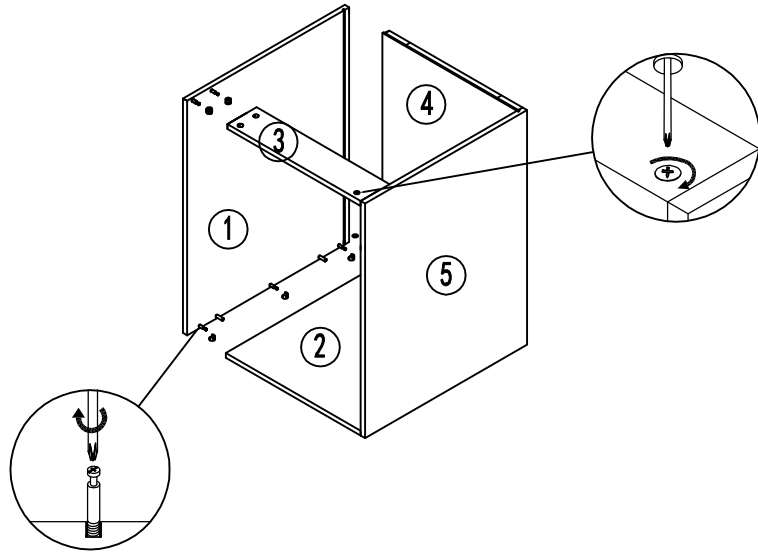
VB24FDD



VB24FDD					
PICTURE	ITEM	SPEC	QTY.		
	Hinge	Damper hinges	4		
	Cam lock	Ø15*13	16		
	Cam lock screw	Ø8*35	16		
	Dowel	Ø8*35	4		
	Shelf support	Ø5	4		
	ABS Leg	4 3/4" ± 3/4"	4		
BOX					
	Part	L	W	T	QTY.
1	Left panel	30"	21"	3/4"	1
2	Bottom panel	21"	22 1/2"	3/4"	1
3	Panel	22 1/2"	4 1/8"	3/4"	1
4	Back panel	29 3/8"	22 7/8"	7/8"	1
5	Right panel	30"	21"	3/4"	1
6	Shelf	22 3/8"	22 1/2"	3/4"	1
total 6					
DOOR					
7	Door	13 3/8"	29 7/8"	3/4"	2

ASSEMBLY INSTRUCTION

VB27FD



VB27FD

PICTURE	ITEM	SPEC	QTY.
	Hinge	Damper hinges	4
	Cam lock	Ø15*13	16
	Cam lock screw	Ø8*35	16
	Dowel	Ø8*35	4
	Shelf support	Ø5	4
	ABS Leg	4 3/4" ± 3/4"	4

BOX

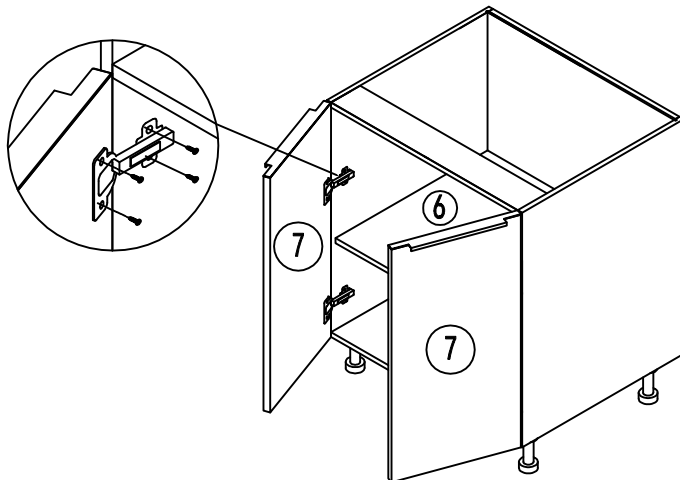
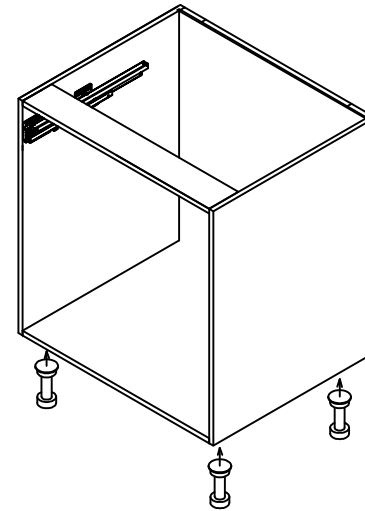
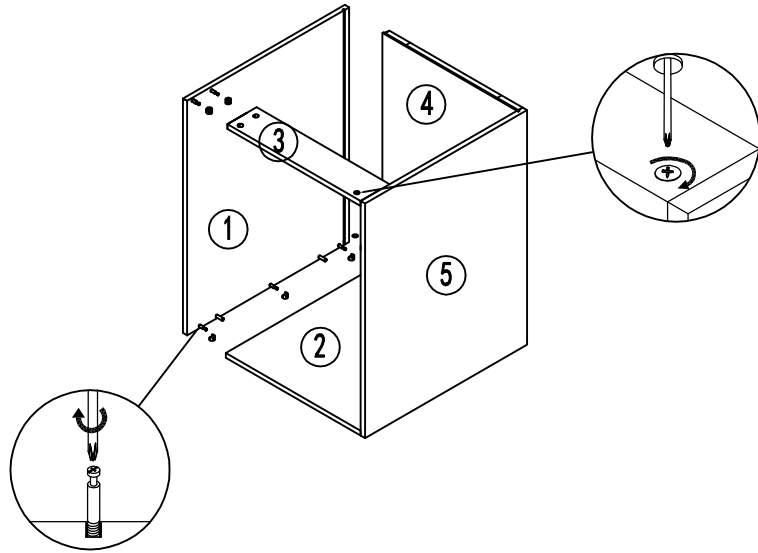
Part	L	W	T	QTY.
1 Left panel	30"	21"	3/4"	1
2 Bottom panel	21"	25 1/2"	3/4"	1
3 Panel	25 1/2"	4 1/8"	3/4"	1
4 Back panel	29 3/8"	25 7/8"	7/8"	1
5 Right panel	30"	21"	3/4"	1
6 Shelf	22 3/8"	25 1/2"	3/4"	1
				total 6

DOOR

7 Door	13 3/8"	29 7/8"	3/4"	2
--------	---------	---------	------	---

ASSEMBLY INSTRUCTION

VB30FD



VB30FD

PICTURE	ITEM	SPEC	QTY.
	Hinge	Damper hinges	4
	Cam lock	Ø15*13	16
	Cam lock screw	Ø8*35	16
	Dowel	Ø8*35	4
	Shelf support	Ø5	4
	ABS Leg	4 3/4" ±3/4"	4

BOX

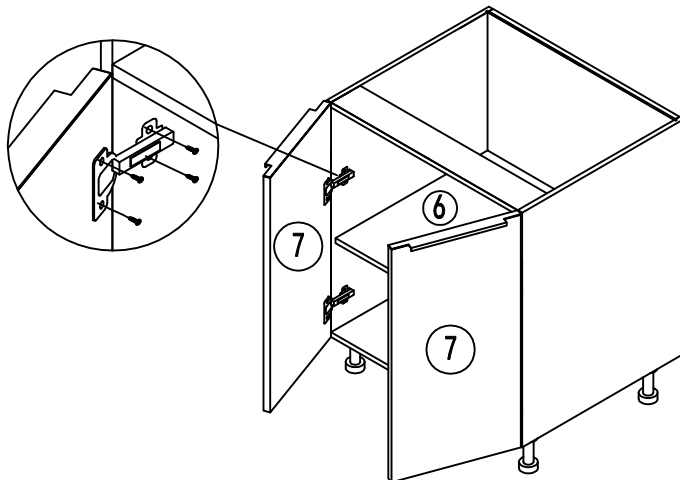
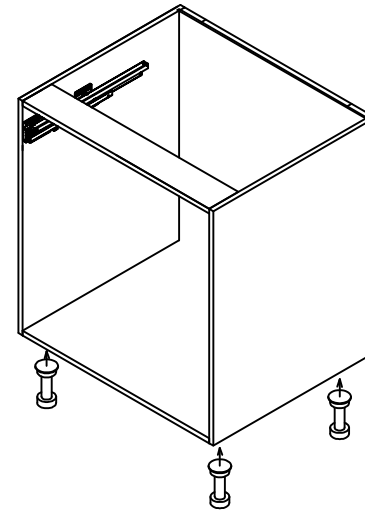
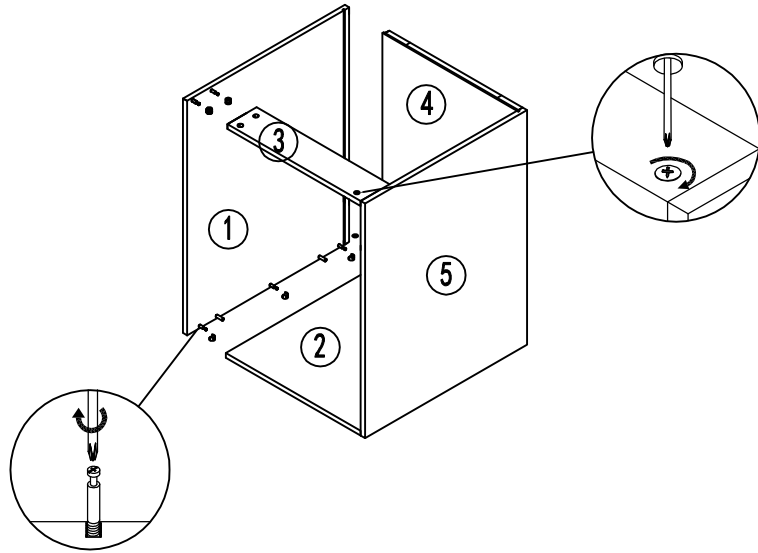
Part	L	W	T	QTY.	
1	Left panel	30"	21"	3/4"	1
2	Bottom panel	21"	28 1/2"	3/4"	1
3	Panel	28 1/2"	4 1/8"	3/4"	1
4	Back panel	29 3/8"	28 7/8"	7/8"	1
5	Right panel	30"	21"	3/4"	1
6	Shelf	22 3/8"	28 1/2"	3/4"	1
total 6					

DOOR

7	Door	14 7/8"	29 7/8"	3/4"	2
---	------	---------	---------	------	---

ASSEMBLY INSTRUCTION

VB33FD



VB33FD

PICTURE	ITEM	SPEC	QTY.
	Hinge	Damper hinges	4
	Cam lock	Ø15*13	16
	Cam lock screw	Ø8*35	16
	Dowel	Ø8*35	4
	Shelf support	Ø5	4
	ABS Leg	4 3/4" ± 3/4"	4

BOX

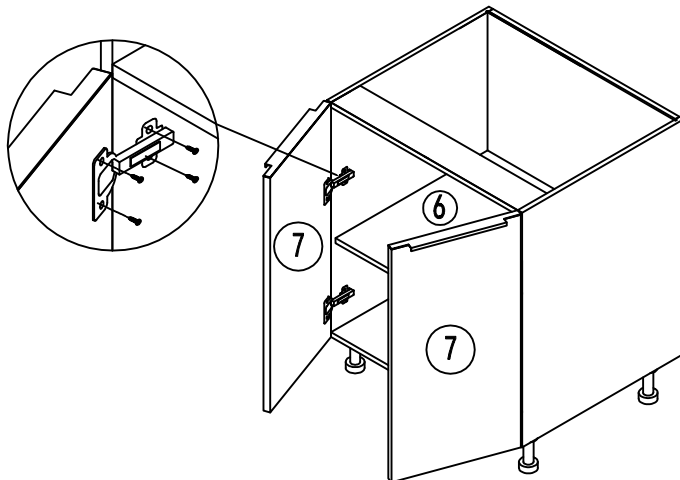
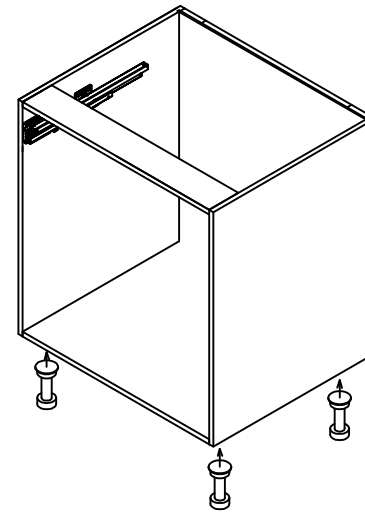
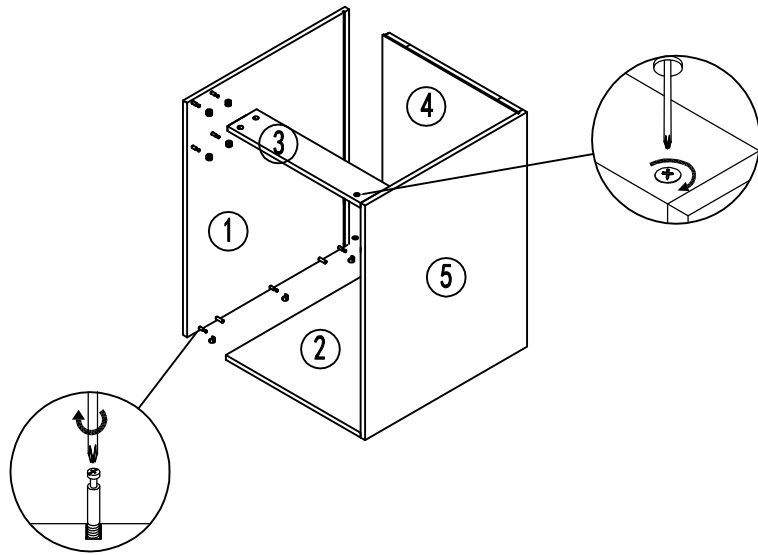
Part	L	W	T	QTY.	
1	Left panel	30"	21"	3/4"	1
2	Bottom panel	21"	31 1/2"	3/4"	1
3	Panel	31 1/2"	4 1/8"	3/4"	1
4	Back panel	29 3/8"	31 7/8"	7/8"	1
5	Right panel	30"	21"	3/4"	1
6	Shelf	22 3/8"	31 1/2"	3/4"	1
total 6					

DOOR

7	Door	16 3/8"	29 7/8"	3/4"	2
---	------	---------	---------	------	---

ASSEMBLY INSTRUCTION

VB36FD



VB36FD

PICTURE	ITEM	SPEC	QTY.
	Hinge	Damper hinges	4
	Cam lock	Ø15*13	16
	Cam lock screw	Ø8*35	16
	Dowel	Ø8*35	4
	Shelf support	Ø5	4
	ABS Leg	4 3/4" ± 3/4"	4

BOX

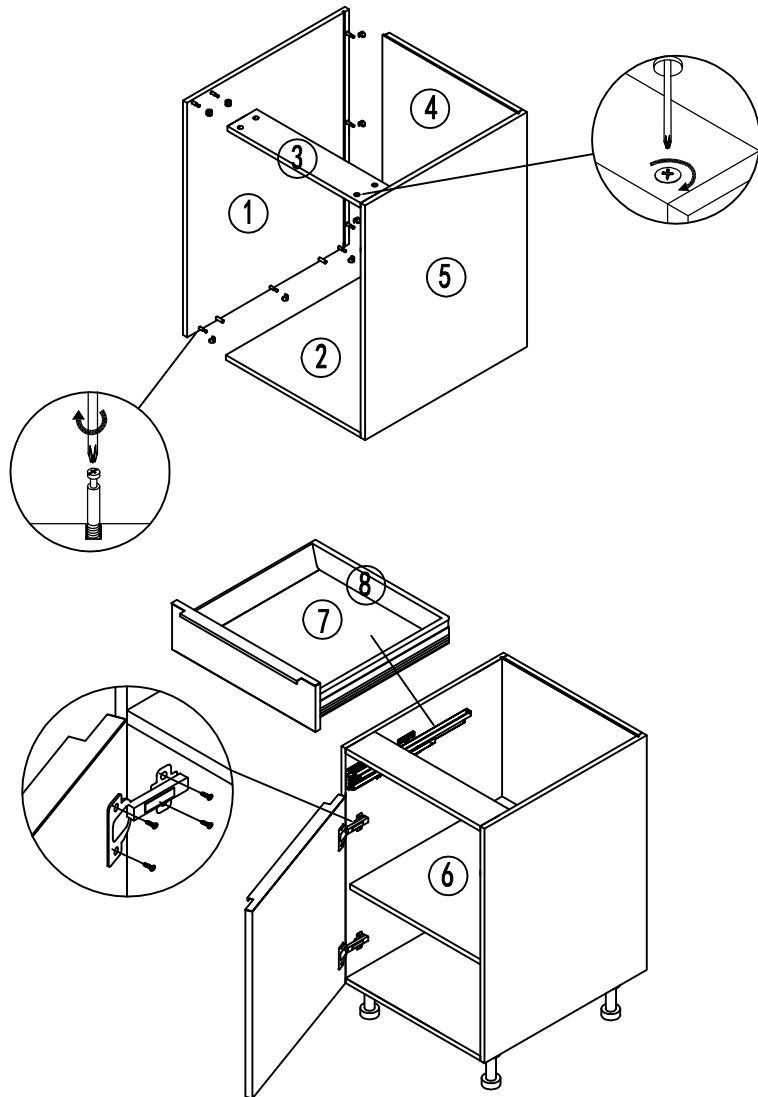
Part	L	W	T	QTY.
1 Left panel	30"	21"	3/4"	1
2 Bottom panel	21"	34 1/2"	3/4"	1
3 Panel	34 1/2"	4 1/8"	3/4"	1
4 Back panel	29 3/8"	34 7/8"	7/8"	1
5 Right panel	30"	21"	3/4"	1
6 Shelf	22 3/8"	34 1/2"	3/4"	1
				total 6

DOOR

7 Door	17 7/8"	29 7/8"	3/4"	2
--------	---------	---------	------	---

ASSEMBLY INSTRUCTION

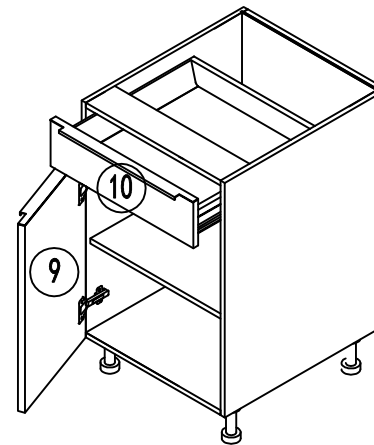
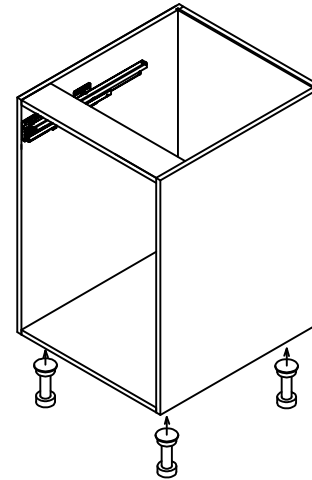
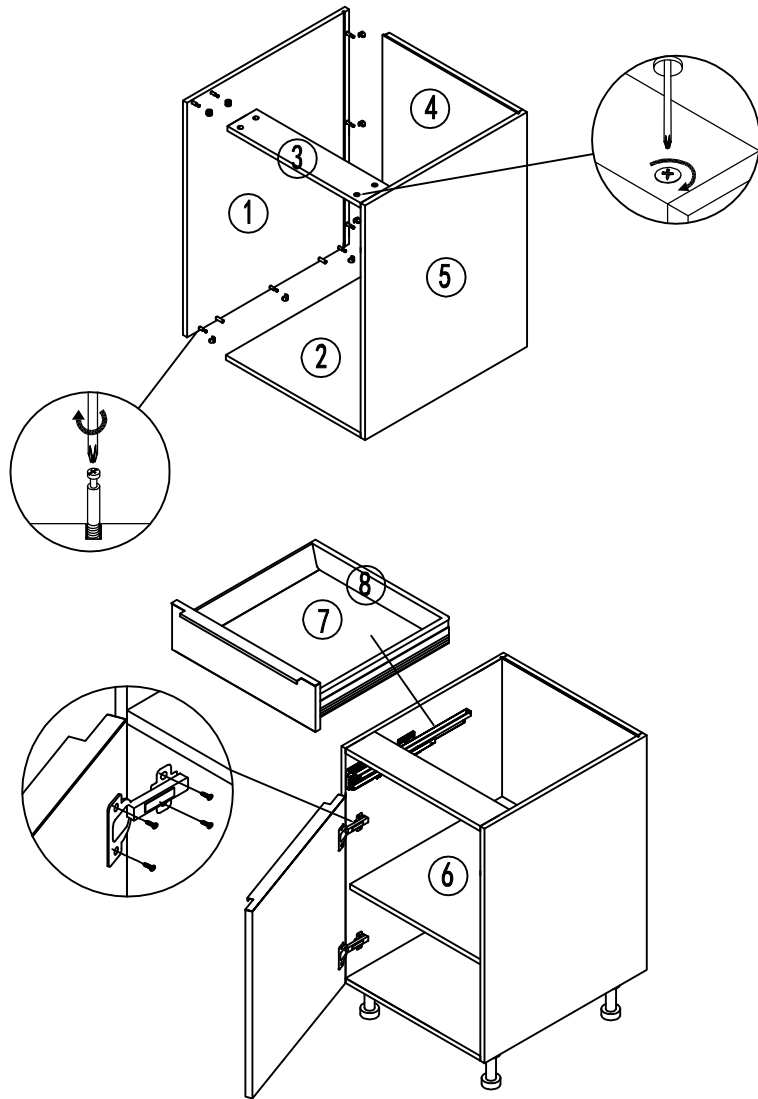
VB15



VB15					
PICTURE	ITEM	SPEC	QTY.		
	Hinge	Damper hinges	2		
	Cam lock	Ø15*13	16		
	Cam lock screw	Ø8*35	16		
	Dowel	Ø8*35	4		
	Shelf support	Ø5	4		
	ABS Leg	4 3/4" ± 3/4"	4		
	Drawer slide (N)	Length=19 5/8"	1		
BOX					
Part	L	W	T	QTY.	
1	Left panel	30"	21"	3/4"	1
2	Bottom panel	21"	13 1/2"	3/4"	1
3	Panel	13 1/2"	4 1/8"	3/4"	1
4	Back panel	29 3/8"	13 7/8"	7/8"	1
5	Right panel	30"	21"	3/4"	1
6	Shelf	22 3/8"	13 1/2"	3/4"	1
7	Drawer bottom panel	18 3/4"	10 5/8"	5/8"	1
8	Drawer back panel	10 1/8"	3 1/4"	5/8"	1
				total 8	
DOOR					
9	Door	14 7/8"	23 7/8"	3/4"	1
10	Drawer front	17 7/8"	5 7/8"	3/4"	1

ASSEMBLY INSTRUCTION

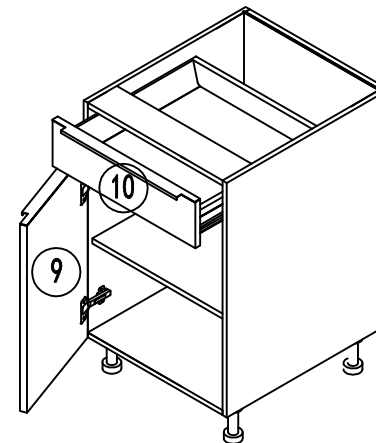
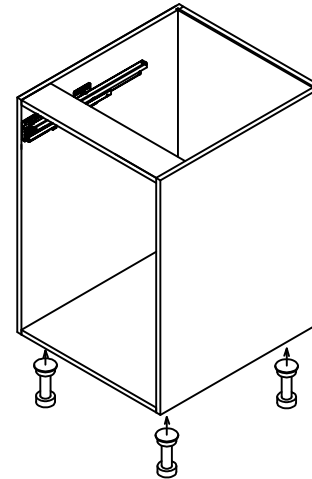
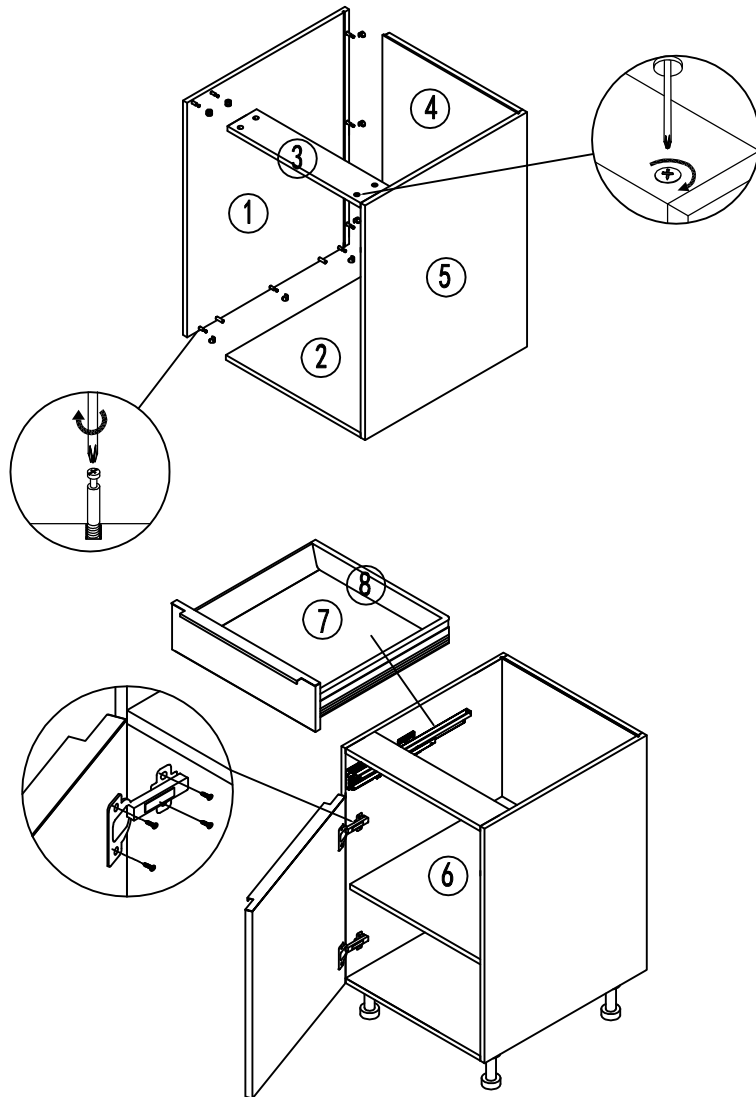
VB18



VB18					
PICTURE	ITEM	SPEC	QTY.		
	Hinge	Damper hinges	2		
	Cam lock	Ø15*13	16		
	Cam lock screw	Ø8*35	16		
	Dowel	Ø8*35	4		
	Shelf support	Ø5	4		
	ABS Leg	4 3/4" ± 3/4"	4		
	Drawer slide (N)	Length=19 5/8"	1		
BOX					
Part	L	W	T	QTY.	
1	Left panel	30"	21"	3/4"	1
2	Bottom panel	21"	16 1/2"	3/4"	1
3	Panel	16 1/2"	4 1/8"	3/4"	1
4	Back panel	29 3/8"	16 7/8"	7/8"	1
5	Right panel	30"	21"	3/4"	1
6	Shelf	22 3/8"	16 1/2"	3/4"	1
7	Drawer bottom panel	18 3/4"	13 5/8"	5/8"	1
8	Drawer back panel	13 1/8"	3 1/4"	5/8"	1
				total 8	
DOOR					
9	Door	17 7/8"	23 7/8"	3/4"	1
10	Drawer front	17 7/8"	5 7/8"	3/4"	1

ASSEMBLY INSTRUCTION

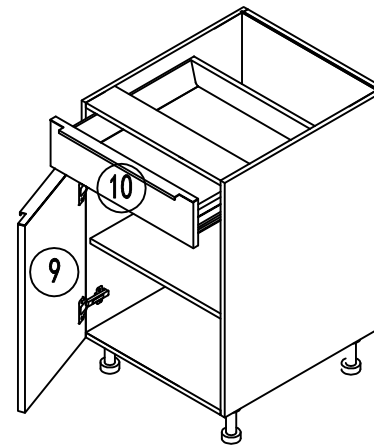
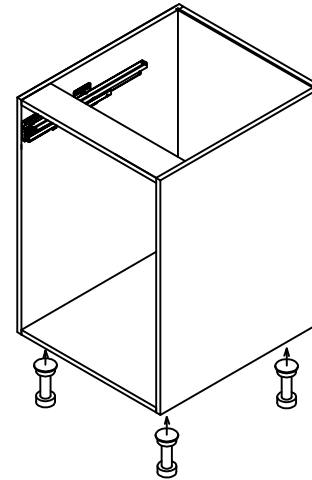
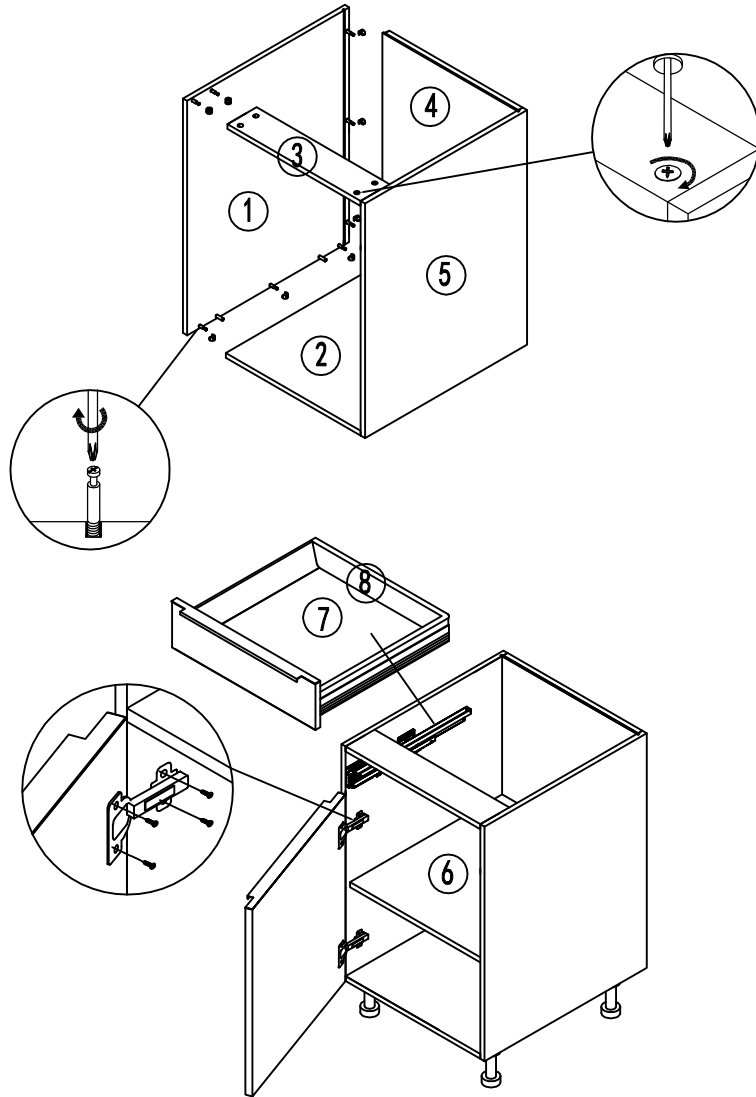
VB21



VB21					
PICTURE	ITEM	SPEC	QTY.		
	Hinge	Damper hinges	2		
	Cam lock	Ø15*13	16		
	Cam lock screw	Ø8*35	16		
	Dowel	Ø8*35	4		
	Shelf support	Ø5	4		
	ABS Leg	4 3/4" ± 3/4"	4		
	Drawer slide (N)	Length=19 5/8"	1		
BOX					
Part	L	W	T	QTY.	
1	Left panel	30"	21"	3/4"	1
2	Bottom panel	21"	19 1/2"	3/4"	1
3	Panel	19 1/2"	4 1/8"	3/4"	1
4	Back panel	29 3/8"	19 7/8"	7/8"	1
5	Right panel	30"	21"	3/4"	1
6	Shelf	22 3/8"	19 1/2"	3/4"	1
7	Drawer bottom panel	18 3/4"	16 5/8"	5/8"	1
8	Drawer back panel	16 1/8"	3 1/4"	5/8"	1
total				8	
DOOR					
9	Door	20 7/8"	23 7/8"	3/4"	1
10	Drawer front	20 7/8"	5 7/8"	3/4"	1

ASSEMBLY INSTRUCTION

VB24

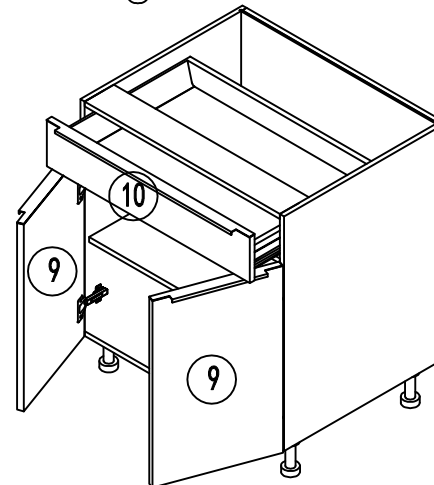
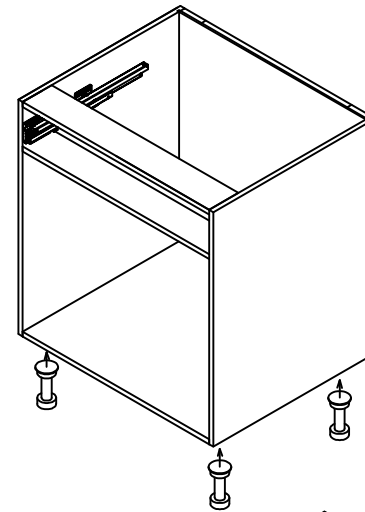
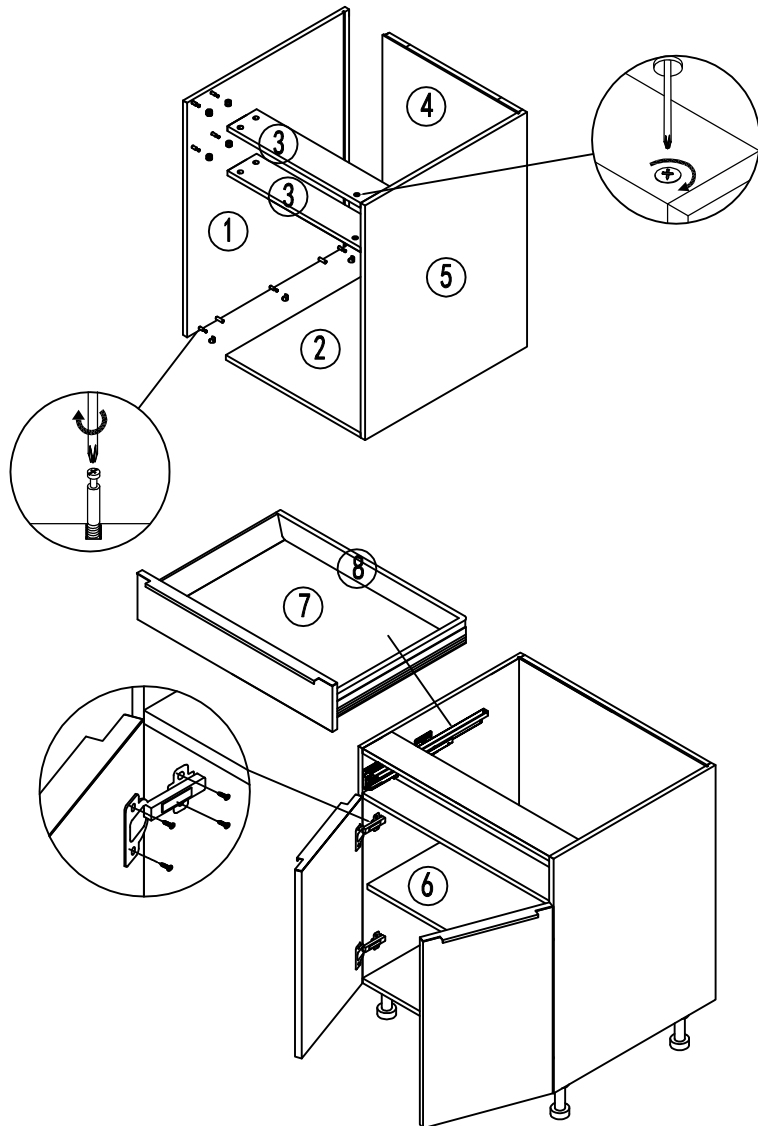


VB24

PICTURE	ITEM	SPEC	QTY.		
	Hinge	Damper hinges	2		
	Cam lock	Ø15*13	16		
	Cam lock screw	Ø8*35	16		
	Dowel	Ø8*35	4		
	Shelf support	Ø5	4		
	ABS Leg	4 3/4" ± 3/4"	4		
	Drawer slide (N)	Length=19 5/8"	1		
BOX					
Part	L	W	T	QTY.	
1	Left panel	30"	21"	3/4"	1
2	Bottom panel	21"	22 1/2"	3/4"	1
3	Panel	22 1/2"	4 1/8"	3/4"	1
4	Back panel	29 3/8"	22 7/8"	7/8"	1
5	Right panel	30"	21"	3/4"	1
6	Shelf	22 3/8"	22 1/2"	3/4"	1
7	Drawer bottom panel	18 3/4"	19 5/8"	5/8"	1
8	Drawer back panel	19 1/8"	3 1/4"	5/8"	1
				total 8	
DOOR					
9	Door	23 7/8"	23 7/8"	3/4"	1
10	Drawer front	23 7/8"	5 7/8"	3/4"	1

ASSEMBLY INSTRUCTION

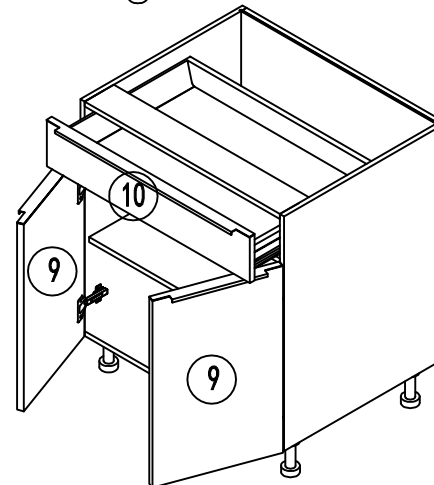
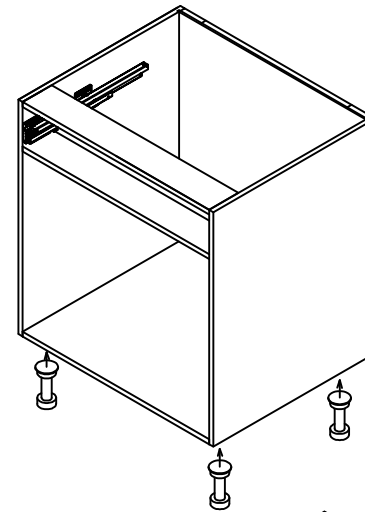
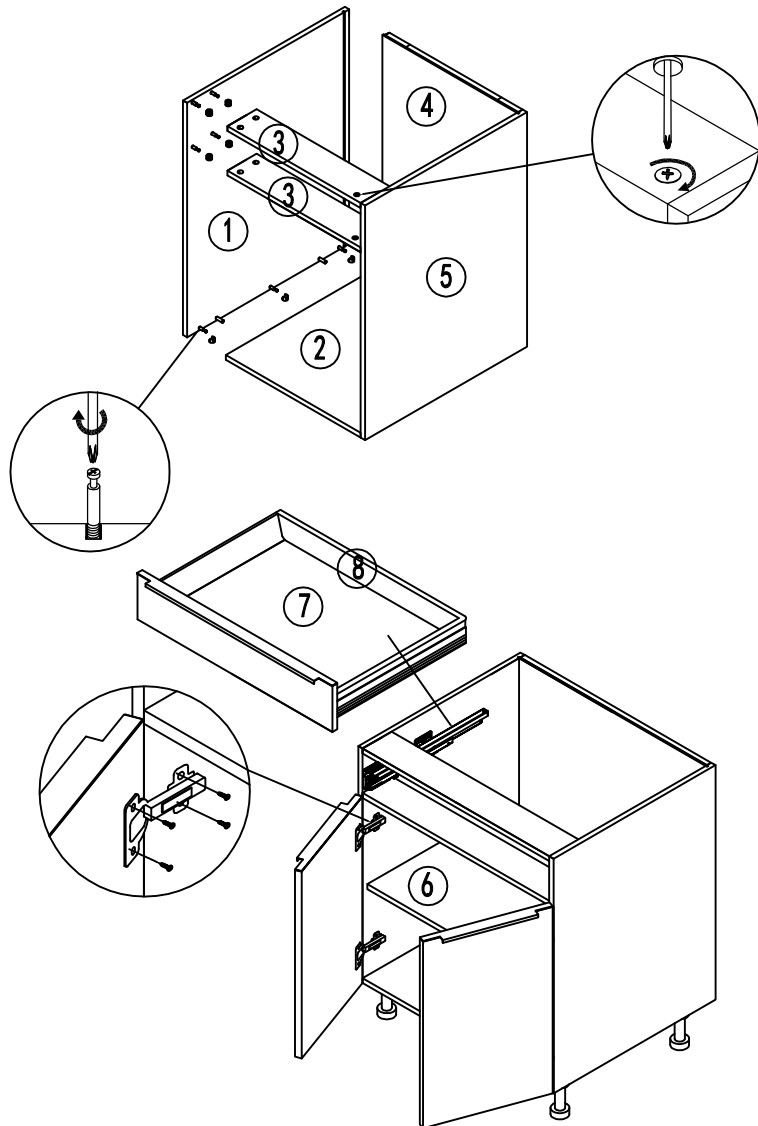
VB27



VB27					
PICTURE	ITEM	SPEC	QTY.		
	Hinge	Damper hinges	4		
	Cam lock	Ø15*13	20		
	Cam lock screw	Ø8*35	20		
	Dowel	Ø8*35	4		
	Shelf support	Ø5	4		
	ABS Leg	4 3/4" ± 3/4"	4		
	Drawer slide (N)	Length=19 5/8"	1		
BOX					
Part	L	W	T	QTY.	
1	Left panel	30"	21"	3/4"	1
2	Bottom panel	21"	25 1/2"	3/4"	1
3	Panel	25 1/2"	4 1/8"	3/4"	2
4	Back panel	29 3/8"	25 7/8"	7/8"	1
5	Right panel	30"	21"	3/4"	1
6	Shelf	22 3/8"	25 1/2"	3/4"	1
7	Drawer bottom panel	18 3/4"	22 5/8"	5/8"	1
8	Drawer back panel	22 1/8"	3 1/4"	5/8"	1
total				9	
DOOR					
9	Door	13 3/8"	23 7/8"	3/4"	2
10	Drawer front	26 7/8"	5 7/8"	3/4"	1

ASSEMBLY INSTRUCTION

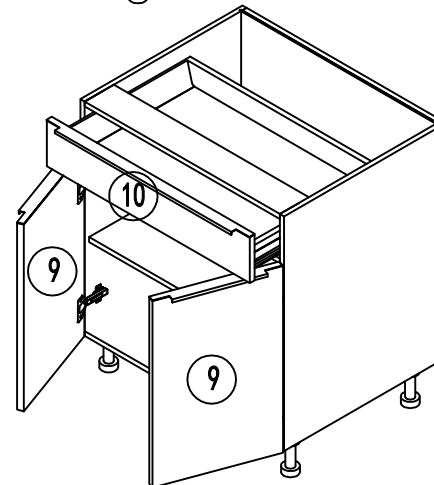
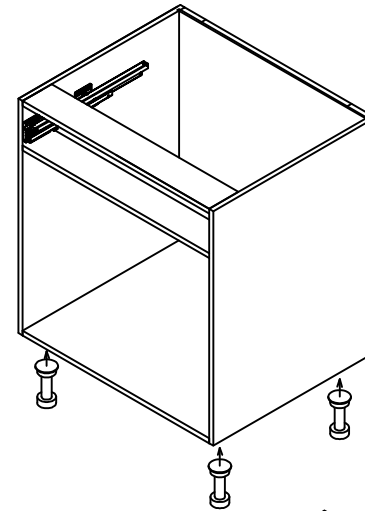
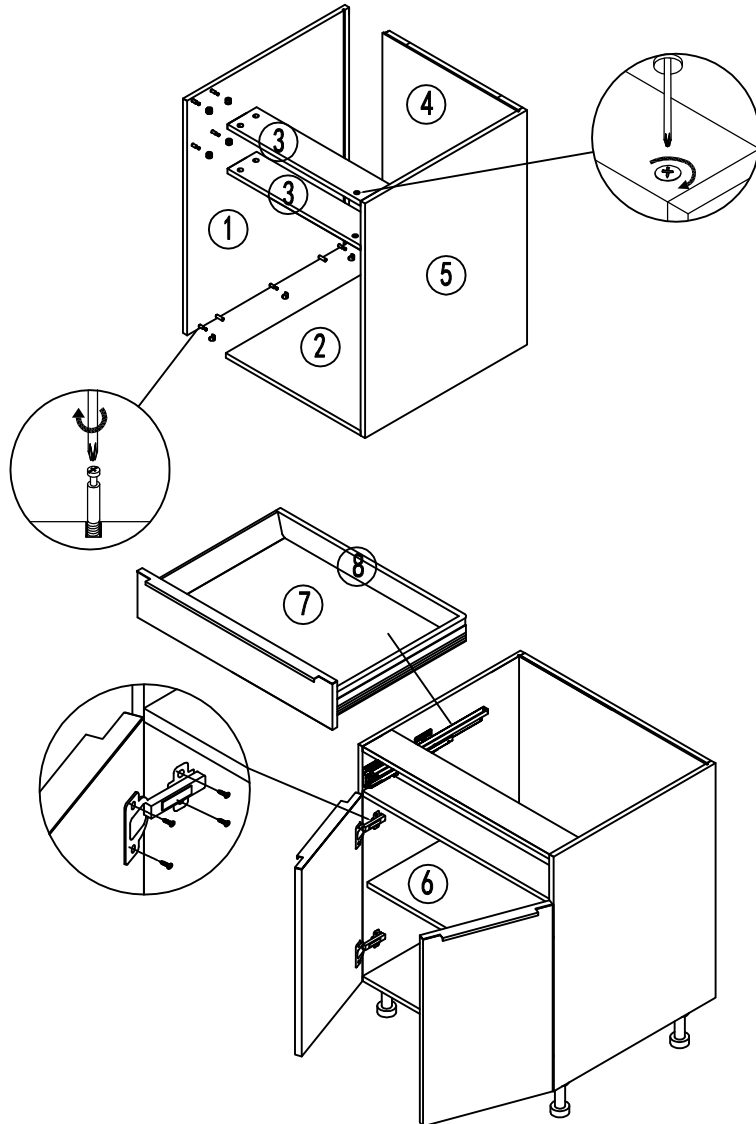
VB30



VB30					
PICTURE	ITEM	SPEC	QTY.		
	Hinge	Damper hinges	4		
	Cam lock	Ø15*13	20		
	Cam lock screw	Ø8*35	20		
	Dowel	Ø8*35	4		
	Shelf support	Ø5	4		
	ABS Leg	4 3/4" ± 3/4"	4		
	Drawer slide (N)	Length=19 5/8"	1		
BOX					
Part	L	W	T	QTY.	
1	Left panel	30"	21"	3/4"	1
2	Bottom panel	21"	28 1/2"	3/4"	1
3	Panel	28 1/2"	4 1/8"	3/4"	2
4	Back panel	29 3/8"	28 7/8"	7/8"	1
5	Right panel	30"	21"	3/4"	1
6	Shelf	22 3/8"	28 1/2"	3/4"	1
7	Drawer bottom panel	18 3/4"	25 5/8"	5/8"	1
8	Drawer back panel	25 1/8"	3 1/4"	5/8"	1
				total 9	
DOOR					
9	Door	14 7/8"	23 7/8"	3/4"	2
10	Drawer front	29 7/8"	5 7/8"	3/4"	1

ASSEMBLY INSTRUCTION

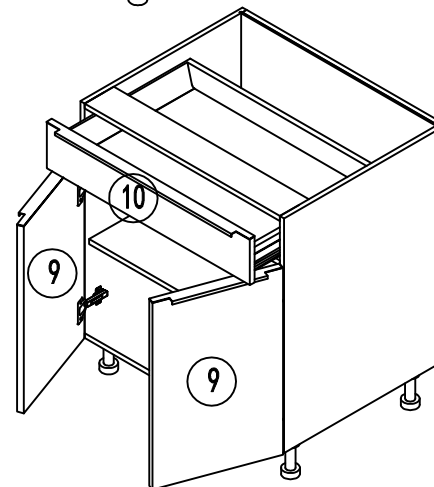
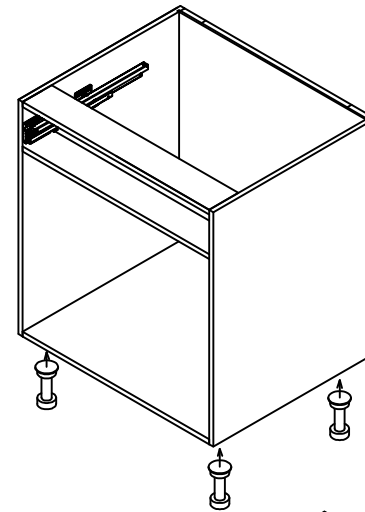
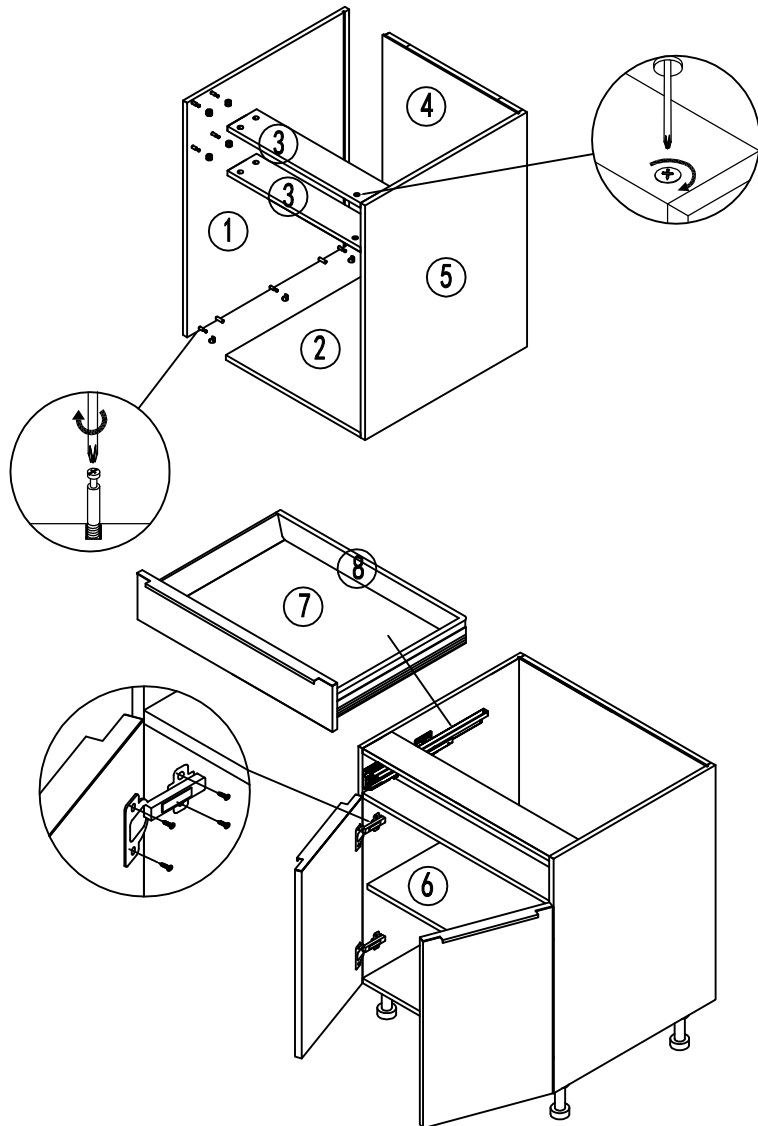
VB36



VB36					
PICTURE	ITEM	SPEC	QTY.		
	Hinge	Damper hinges	4		
	Cam lock	Ø15*13	20		
	Cam lock screw	Ø8*35	20		
	Dowel	Ø8*35	4		
	Shelf support	Ø5	4		
	ABS Leg	4 3/4" ± 3/4"	4		
	Drawer slide (N)	Length=19 5/8"	1		
BOX					
Part	L	W	T	QTY.	
1	Left panel	30"	21"	3/4"	1
2	Bottom panel	21"	34 1/2"	3/4"	1
3	Panel	34 1/2"	4 1/8"	3/4"	2
4	Back panel	29 3/8"	34 7/8"	7/8"	1
5	Right panel	30"	21"	3/4"	1
6	Shelf	22 3/8"	34 1/2"	3/4"	1
7	Drawer bottom panel	18 3/4"	31 5/8"	5/8"	1
8	Drawer back panel	31 1/8"	3 1/4"	5/8"	1
				total 9	
DOOR					
9	Door	17 7/8"	23 7/8"	3/4"	2
10	Drawer front	35 7/8"	5 7/8"	3/4"	1

ASSEMBLY INSTRUCTION

VB24DD

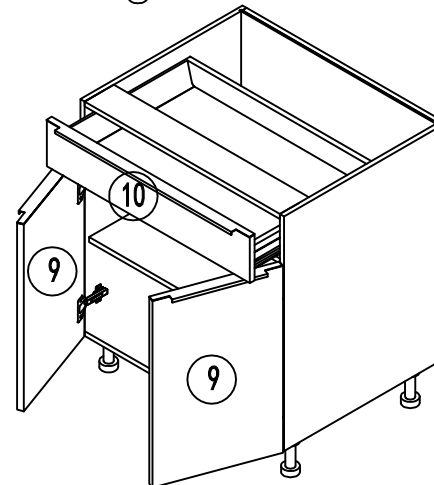
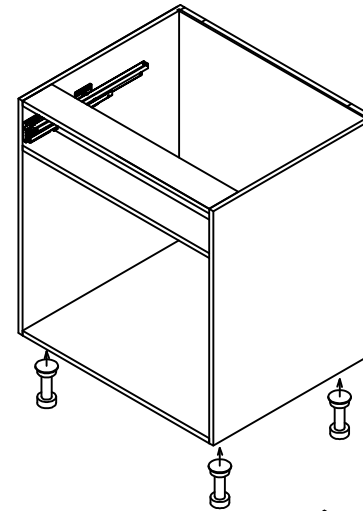
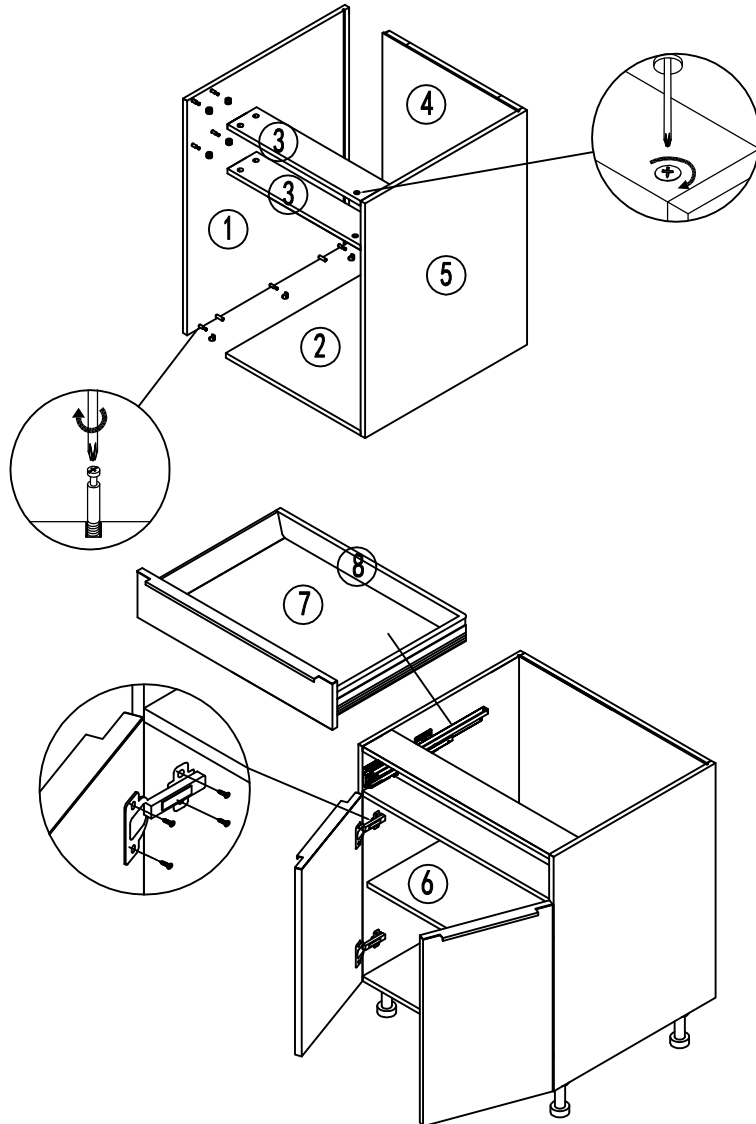


VB24DD

PICTURE	ITEM	SPEC	QTY.		
	Hinge	Damper hinges	4		
	Cam lock	Ø15*13	20		
	Cam lock screw	Ø8*35	20		
	Dowel	Ø8*35	4		
	Shelf support	Ø5	4		
	ABS Leg	4 3/4" ± 3/4"	4		
	Drawer slide (N)	Length=19 5/8"	1		
BOX					
Part	L	W	T	QTY.	
1	Left panel	30"	21"	3/4"	1
2	Bottom panel	21"	22 1/2"	3/4"	1
3	Panel	22 1/2"	4 1/8"	3/4"	2
4	Back panel	29 3/8"	22 7/8"	7/8"	1
5	Right panel	30"	21"	3/4"	1
6	Shelf	22 3/8"	22 1/2"	3/4"	1
7	Drawer bottom panel	18 3/4"	19 5/8"	5/8"	1
8	Drawer back panel	19 1/8"	3 1/4"	5/8"	1
				total	9
DOOR					
9	Door	11 3/8"	23 7/8"	3/4"	2
10	Drawer front	23 7/8"	5 7/8"	3/4"	1

ASSEMBLY INSTRUCTION

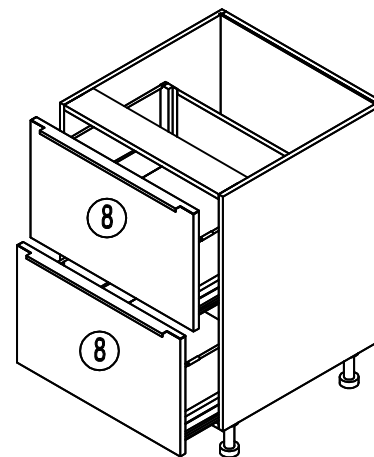
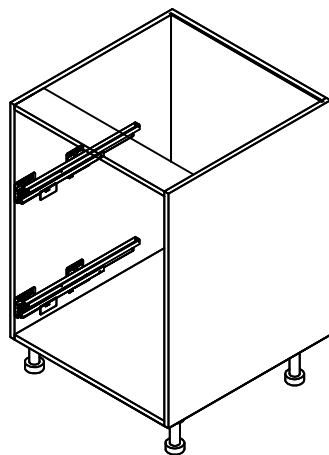
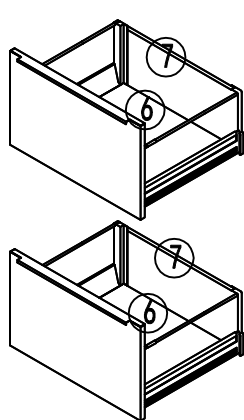
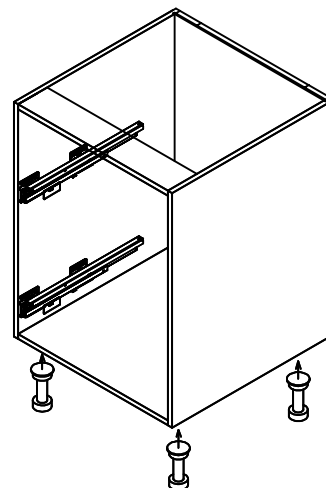
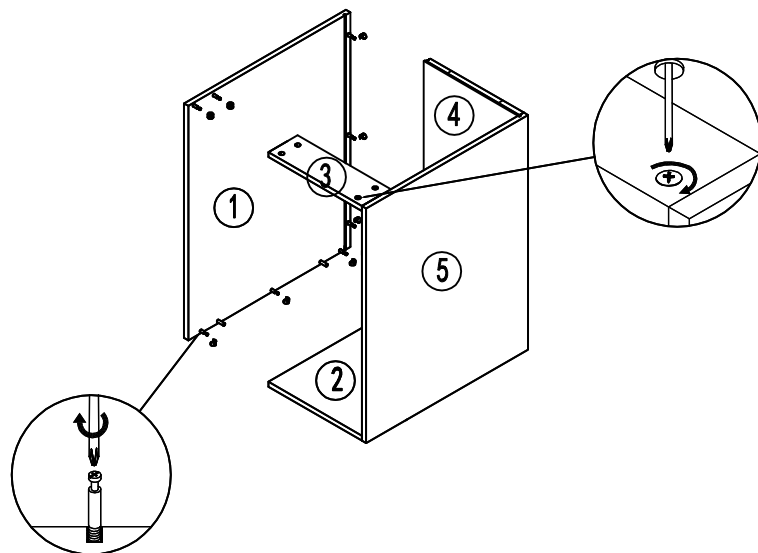
VB33



VB33					
PICTURE	ITEM	SPEC	QTY.		
	Hinge	Damper hinges	4		
	Cam lock	Ø15*13	20		
	Cam lock screw	Ø8*35	20		
	Dowel	Ø8*35	4		
	Shelf support	Ø5	4		
	ABS Leg	4 3/4" ± 3/4"	4		
	Drawer slide (N)	Length=19 5/8"	1		
BOX					
Part	L	W	T	QTY.	
1	Left panel	30"	21"	3/4"	1
2	Bottom panel	21"	31 1/2"	3/4"	1
3	Panel	31 1/2"	4 1/8"	3/4"	2
4	Back panel	29 3/8"	31 7/8"	7/8"	1
5	Right panel	30"	21"	3/4"	1
6	Shelf	22 3/8"	31 1/2"	3/4"	1
7	Drawer bottom panel	18 3/4"	28 5/8"	5/8"	1
8	Drawer back panel	28 1/8"	3 1/4"	5/8"	1
				total 9	
DOOR					
9	Door	14 7/8"	23 7/8"	3/4"	2
10	Drawer front	29 7/8"	5 7/8"	3/4"	1

ASSEMBLY INSTRUCTION

VDB12-2



VDB12-2

PICTURE	ITEM	SPEC	QTY.
	Cam lock	φ15*13	16
	Cam lock screw	φ8*35	16
	Dowel	φ8*35	4
	ABS Leg	4 3/4" ± 3/4"	4
	drawer slide (H)	Length=19 5/8"	2

BOX

Part	L	W	T	QTY.
1 Left panel	30"	21"	3/4"	1
2 Bottom panel	21"	10 1/2"	3/4"	1
3 Panel	10 1/2"	2 7/8"	3/4"	1
4 Back panel	29 3/8"	10 7/8"	7/8"	1
5 Right panel	30"	21"	3/4"	1
6 Drawer bottom panel	18 3/4"	7 5/8"	5/8"	2
7 Drawer back panel (H)	7 1/8"	7 7/8"	5/8"	2
				total 9

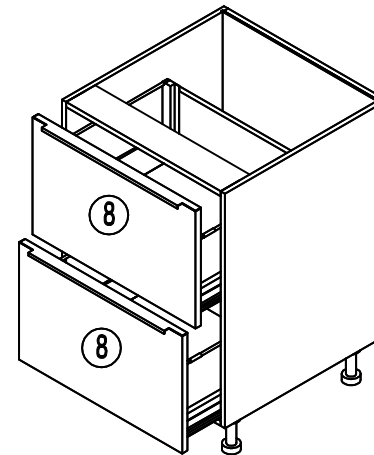
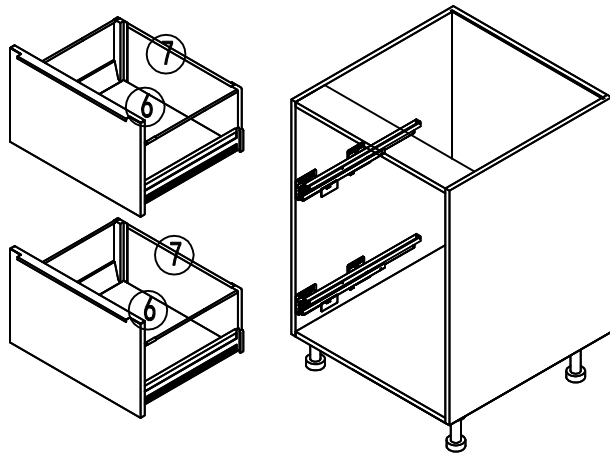
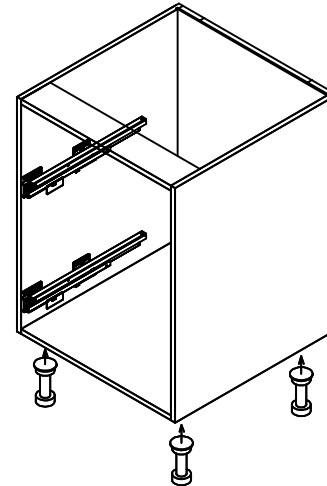
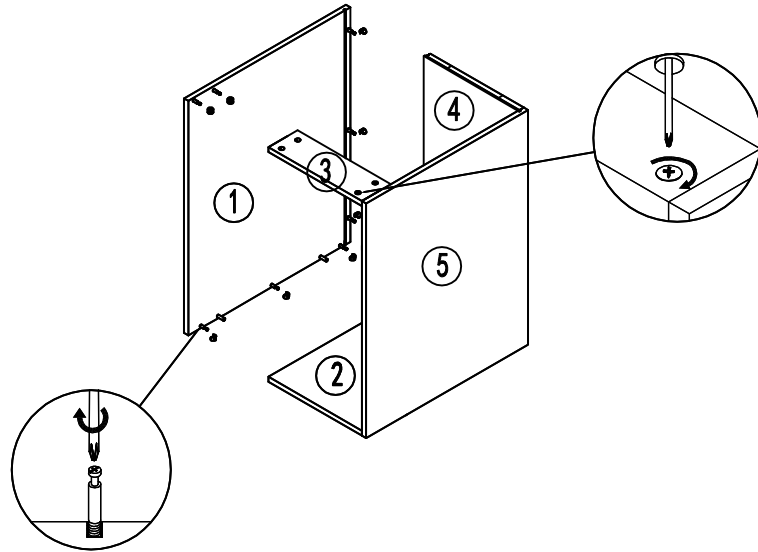
DOOR

8 Drawer front	11 7/8"	14 7/8"	3/4"	2
----------------	---------	---------	------	---

V 2.0

ASSEMBLY INSTRUCTION

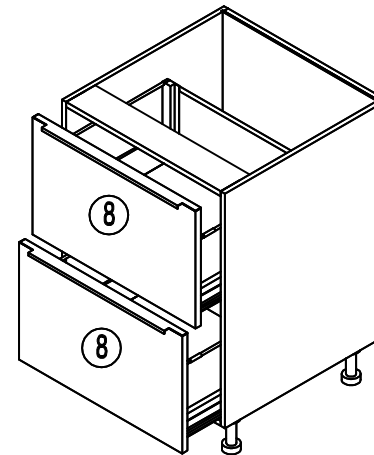
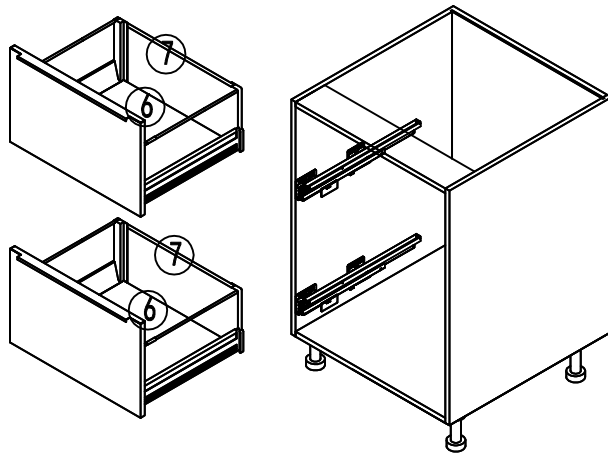
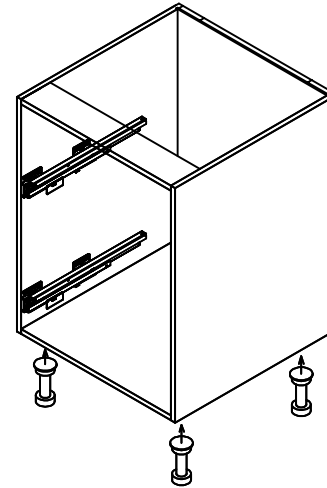
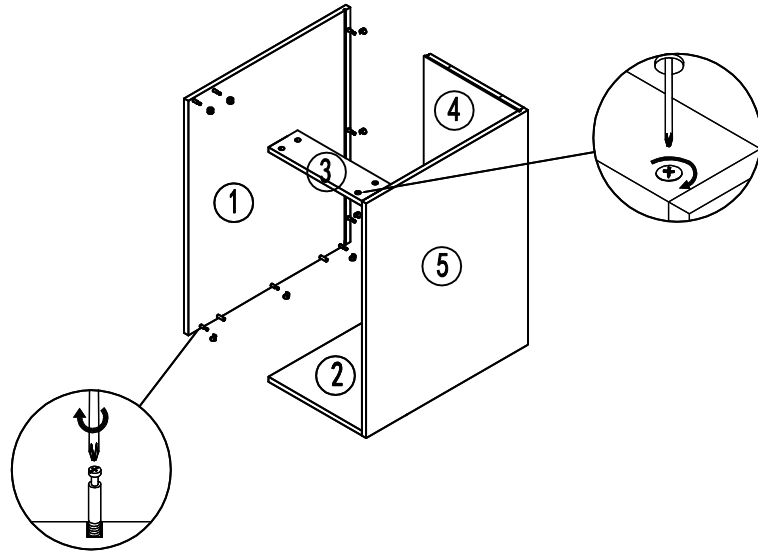
VDB15-2



VDB15-2				
PICTURE	ITEM	SPEC	QTY.	
	Cam lock	φ15*13	16	
	Cam lock screw	φ8*35	16	
	Dowel	φ8*35	4	
	ABS Leg	4 3/4" ± 3/4"	4	
	drawer slide (H)	Length=19 5/8"	2	
BOX				
Part	L	W	T	QTY.
1 Left panel	30"	21"	3/4"	1
2 Bottom panel	21"	13 1/2"	3/4"	1
3 Panel	13 1/2"	2 7/8"	3/4"	1
4 Back panel	29 3/8"	13 3/8"	7/8"	1
5 Right panel	30"	21"	3/4"	1
6 Drawer bottom panel	18 3/4"	10 5/8"	5/8"	2
7 Drawer back panel (H)	10 1/8"	7 7/8"	5/8"	2
total				9
DOOR				
8 Drawer front	14 7/8"	14 7/8"	3/4"	2

ASSEMBLY INSTRUCTION

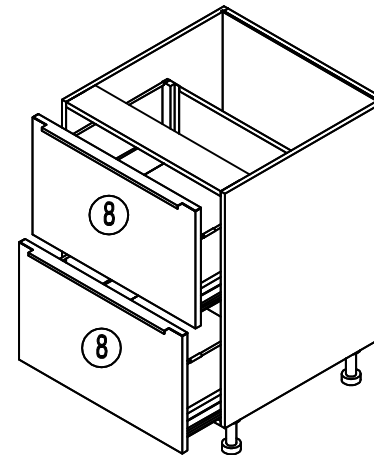
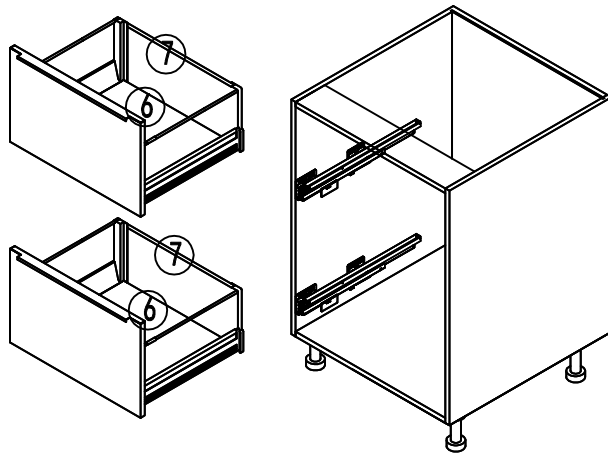
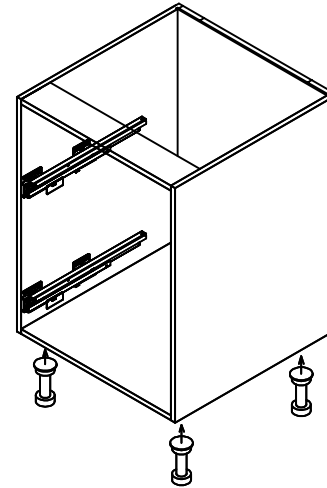
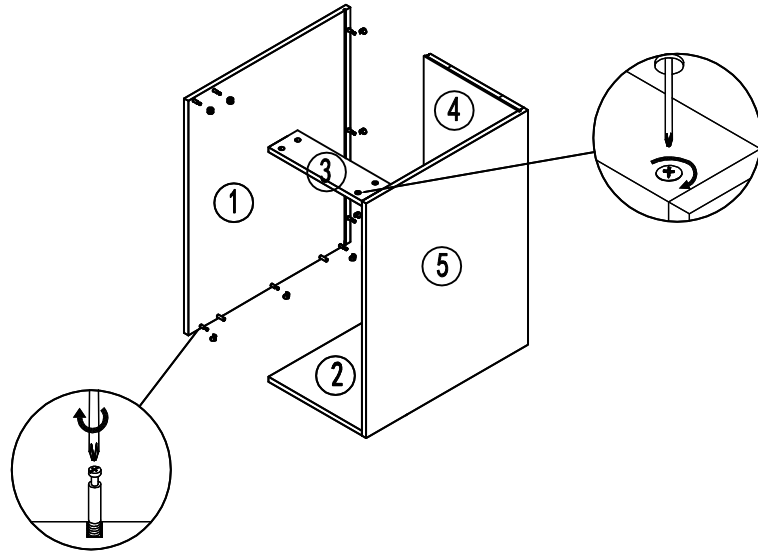
VDB18-2



VDB18-2				
PICTURE	ITEM	SPEC	QTY.	
	Cam lock	Ø15*13	16	
	Cam lock screw	Ø8*35	16	
	Dowel	Ø8*35	4	
	ABS Leg	4 3/4" ± 3/4"	4	
	drawer slide (H)	Length=19 5/8"	2	
BOX				
Part	L	W	T	QTY.
1 Left panel	30"	21"	3/4"	1
2 Bottom panel	21"	16 1/2"	3/4"	1
3 Panel	16 1/2"	2 7/8"	3/4"	1
4 Back panel	29 3/8"	15 3/8"	7/8"	1
5 Right panel	30"	21"	3/4"	1
6 Drawer bottom panel	18 3/4"	13 5/8"	5/8"	2
7 Drawer back panel (H)	13 1/8"	7 7/8"	5/8"	2
total				9
DOOR				
8 Drawer front	17 7/8"	14 7/8"	3/4"	2

ASSEMBLY INSTRUCTION

VDB21-2



VDB21-2

PICTURE	ITEM	SPEC	QTY.
	Cam lock	Ø15*13	16
	Cam lock screw	Ø8*35	16
	Dowel	Ø8*35	4
	ABS Leg	4 3/4" ± 3/4"	4
	drawer slide (H)	Length=19 5/8"	2

BOX

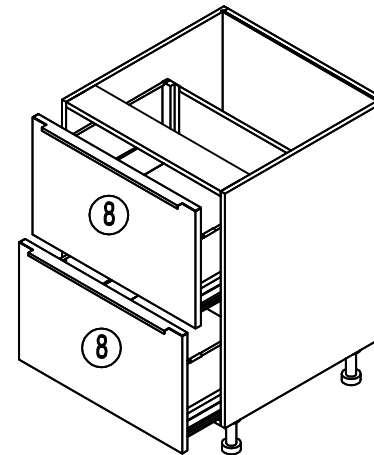
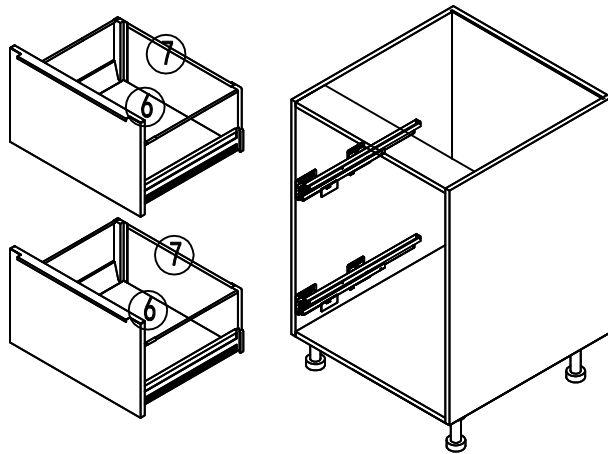
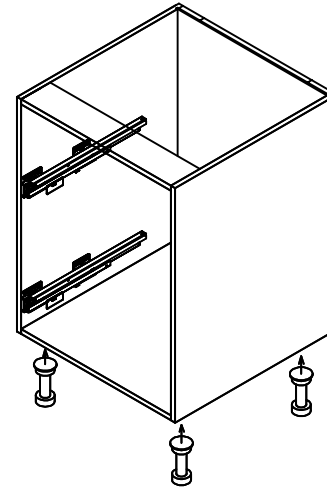
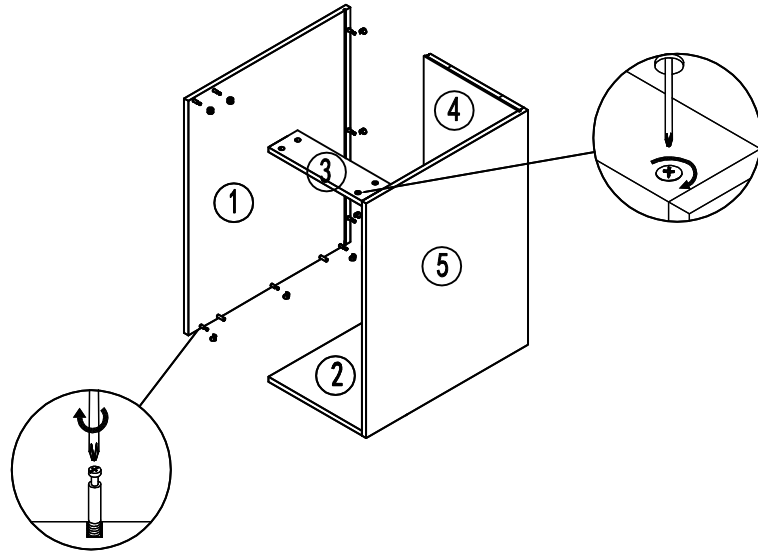
Part	L	W	T	QTY.
1 Left panel	30"	21"	3/4"	1
2 Bottom panel	21"	19 1/2"	3/4"	1
3 Panel	19 1/2"	2 7/8"	3/4"	1
4 Back panel	29 3/8"	19 7/8"	7/8"	1
5 Right panel	30"	21"	3/4"	1
6 Drawer bottom panel	18 3/4"	16 5/8"	5/8"	2
7 Drawer back panel (H)	16 1/8"	7 7/8"	5/8"	2
				total 9

DOOR

8 Drawer front	20 7/8"	14 7/8"	3/4"	2
----------------	---------	---------	------	---

ASSEMBLY INSTRUCTION

VDB24-2



VDB24-2

PICTURE	ITEM	SPEC	QTY.
	Cam lock	Ø15*13	16
	Cam lock screw	Ø8*35	16
	Dowel	Ø8*35	4
	ABS Leg	4 3/4" ± 3/4"	4
	drawer slide (H)	Length=19 5/8"	2

BOX

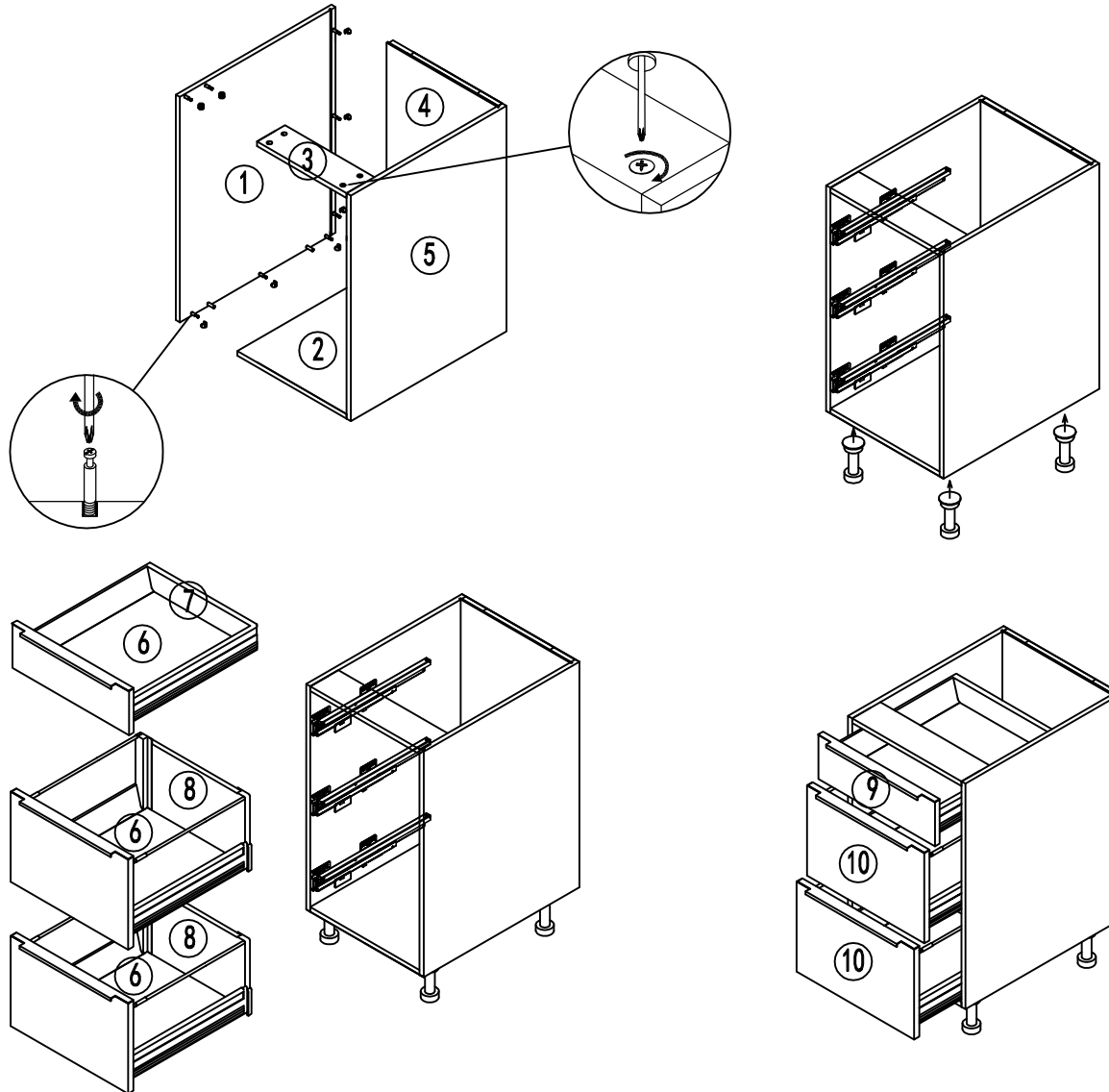
Part	L	W	T	QTY.
1 Left panel	30"	21"	3/4"	1
2 Bottom panel	21"	22 1/2"	3/4"	1
3 Panel	22 1/2"	2 7/8"	3/4"	1
4 Back panel	29 3/8"	22 7/8"	7/8"	1
5 Right panel	30"	21"	3/4"	1
6 Drawer bottom panel	18 3/4"	19 5/8"	5/8"	2
7 Drawer back panel (H)	19 1/8"	7 7/8"	5/8"	2
				total 9

DOOR

8 Drawer front	23 7/8"	14 7/8"	3/4"	2
----------------	---------	---------	------	---

ASSEMBLY INSTRUCTION

VDB12-3

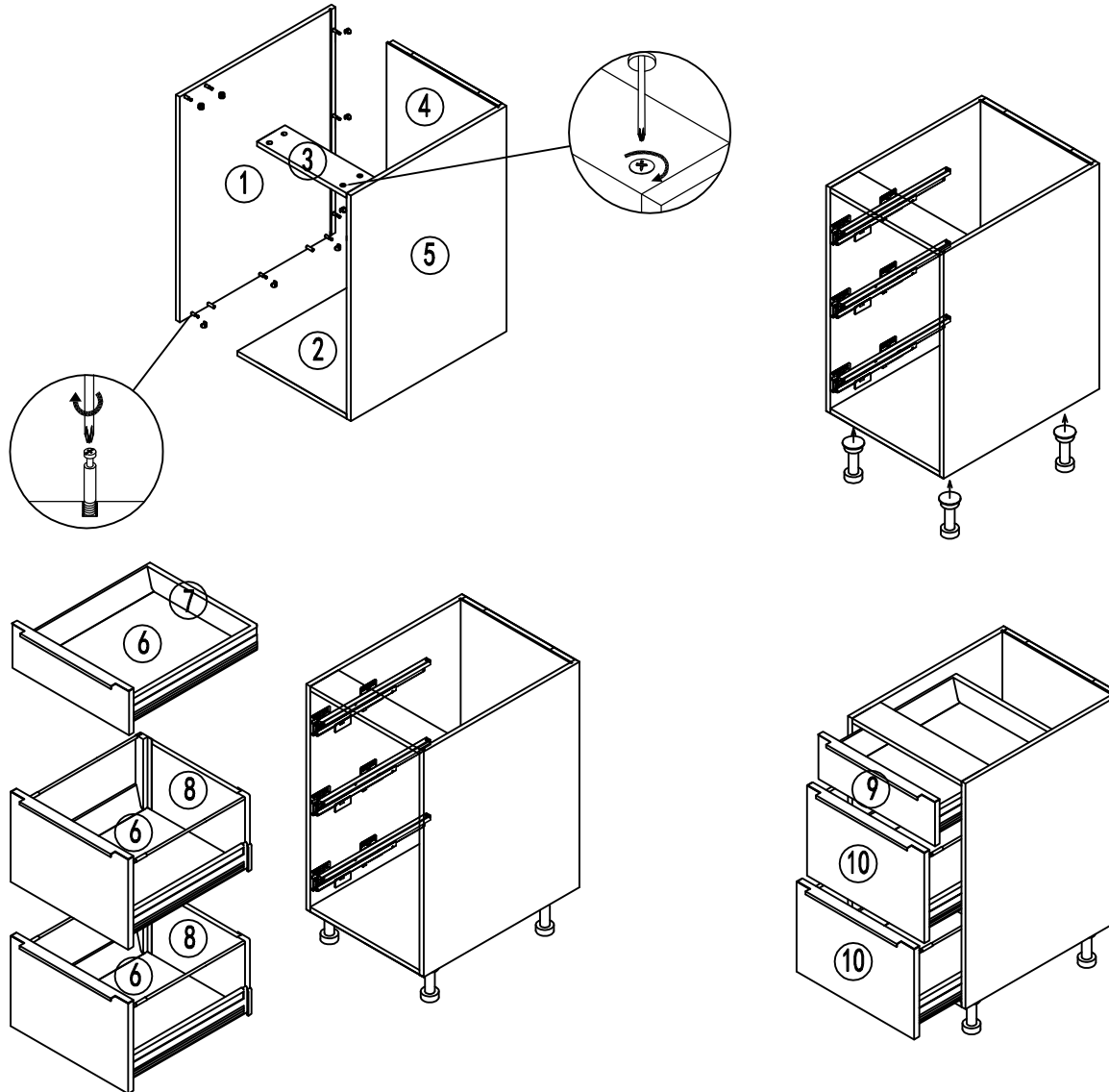


VDB12-3

PICTURE	ITEM	SPEC	QTY.		
	Cam lock	Ø15*13	16		
	Cam lock screw	Ø8*35	16		
	Dowel	Ø8*35	4		
	ABS Leg	4 3/4" ± 3/4"	4		
	Drawer slide (N)	Length=19 5/8"	1		
	drawer slide (H)	Length=19 5/8"	2		
BOX					
Part	L	W	T	QTY.	
1	Left panel	30"	21"	3/4"	1
2	Bottom panel	21"	10 1/2"	3/4"	1
3	panel	10 1/2"	4 1/8"	3/4"	1
4	Back panel	29 3/8"	10 3/8"	7/8"	1
5	Right panel	30"	21"	3/4"	1
6	Drawer bottom panel	18 3/4"	7 5/8"	5/8"	3
7	Drawer back panel (N)	7 1/8"	3 1/4"	5/8"	1
8	Drawer back panel (H)	7 1/8"	7 7/8"	5/8"	2
				total	11
DOOR					
9	Drawer front	11 7/8"	5 7/8"	3/4"	1
10	Drawer front	11 7/8"	11 7/8"	3/4"	2

ASSEMBLY INSTRUCTION

VDB15-3

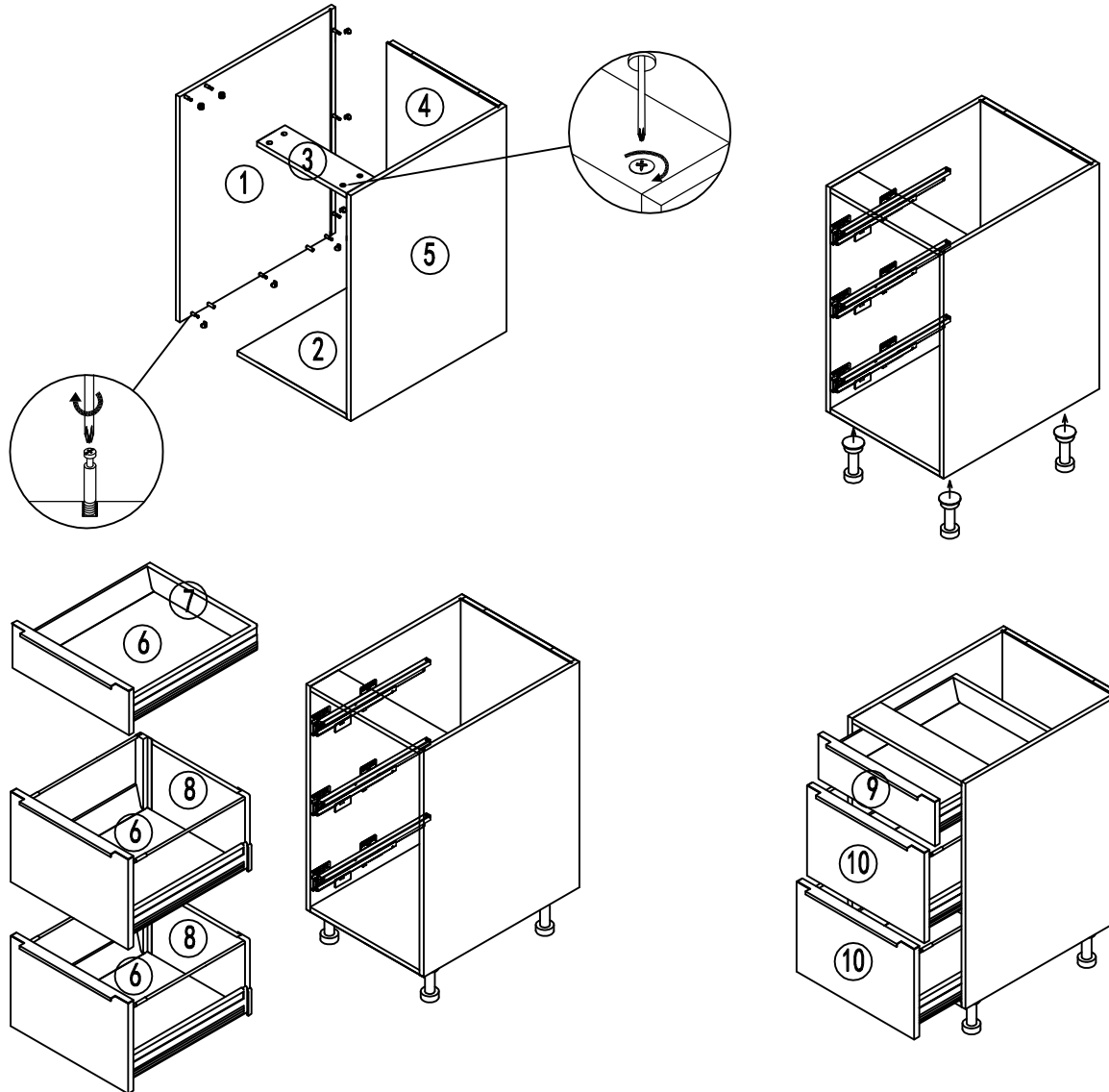


VDB15-3

PICTURE	ITEM	SPEC	QTY.		
	Cam lock	Ø15*13	16		
	Cam lock screw	Ø8*35	16		
	Dowel	Ø8*35	4		
	ABS Leg	4 3/4" ± 3/4"	4		
	Drawer slide (N)	Length=19 5/8"	1		
	drawer slide (H)	Length=19 5/8"	2		
BOX					
	Part	L	W	T	QTY.
1	Left panel	30"	21"	3/4"	1
2	Bottom panel	21"	13 1/2"	3/4"	1
3	panel	13 1/2"	4 1/8"	3/4"	1
4	Back panel	29 3/8"	13 3/8"	7/8"	1
5	Right panel	30"	21"	3/4"	1
6	Drawer bottom panel	18 3/4"	10 5/8"	5/8"	3
7	Drawer back panel (N)	10 1/8"	3 1/4"	5/8"	1
8	Drawer back panel (H)	10 1/8"	7 7/8"	5/8"	2
					total 11
DOOR					
9	Drawer front	14 7/8"	5 7/8"	3/4"	1
10	Drawer front	14 7/8"	11 7/8"	3/4"	2

ASSEMBLY INSTRUCTION

VDB18-3

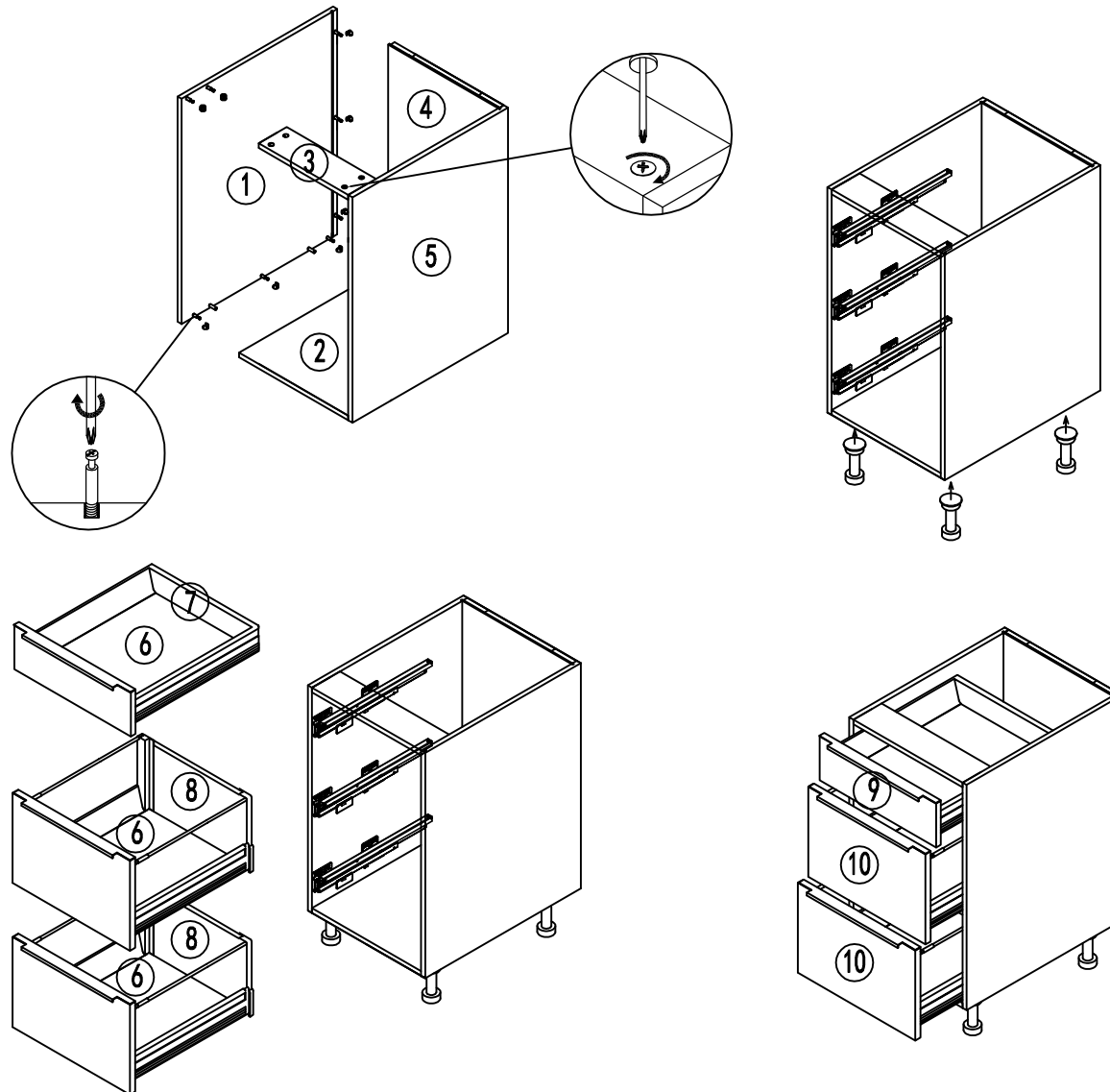


VDB18-3

PICTURE	ITEM	SPEC	QTY.		
	Cam lock	Ø15*13	16		
	Cam lock screw	Ø8*35	16		
	Dowel	Ø8*35	4		
	ABS Leg	4 3/4" ± 3/4"	4		
	Drawer slide (N)	Length=19 5/8"	1		
	drawer slide (H)	Length=19 5/8"	2		
BOX					
	Part	L	W	T	QTY.
1	Left panel	30"	21"	3/4"	1
2	Bottom panel	21"	16 1/2"	3/4"	1
3	panel	16 1/2"	4 1/8"	3/4"	1
4	Back panel	29 3/8"	16 7/8"	7/8"	1
5	Right panel	30"	21"	3/4"	1
6	Drawer Bottom panel	18 3/4"	13 5/8"	5/8"	3
7	Drawer Back panel (N)	13 1/8"	3 1/4"	5/8"	1
8	Drawer Back panel (H)	13 1/8"	7 7/8"	5/8"	2
total					11
DOOR					
9	Drawer front	17 7/8"	5 7/8"	3/4"	1
10	Drawer front	17 7/8"	11 7/8"	3/4"	2

ASSEMBLY INSTRUCTION

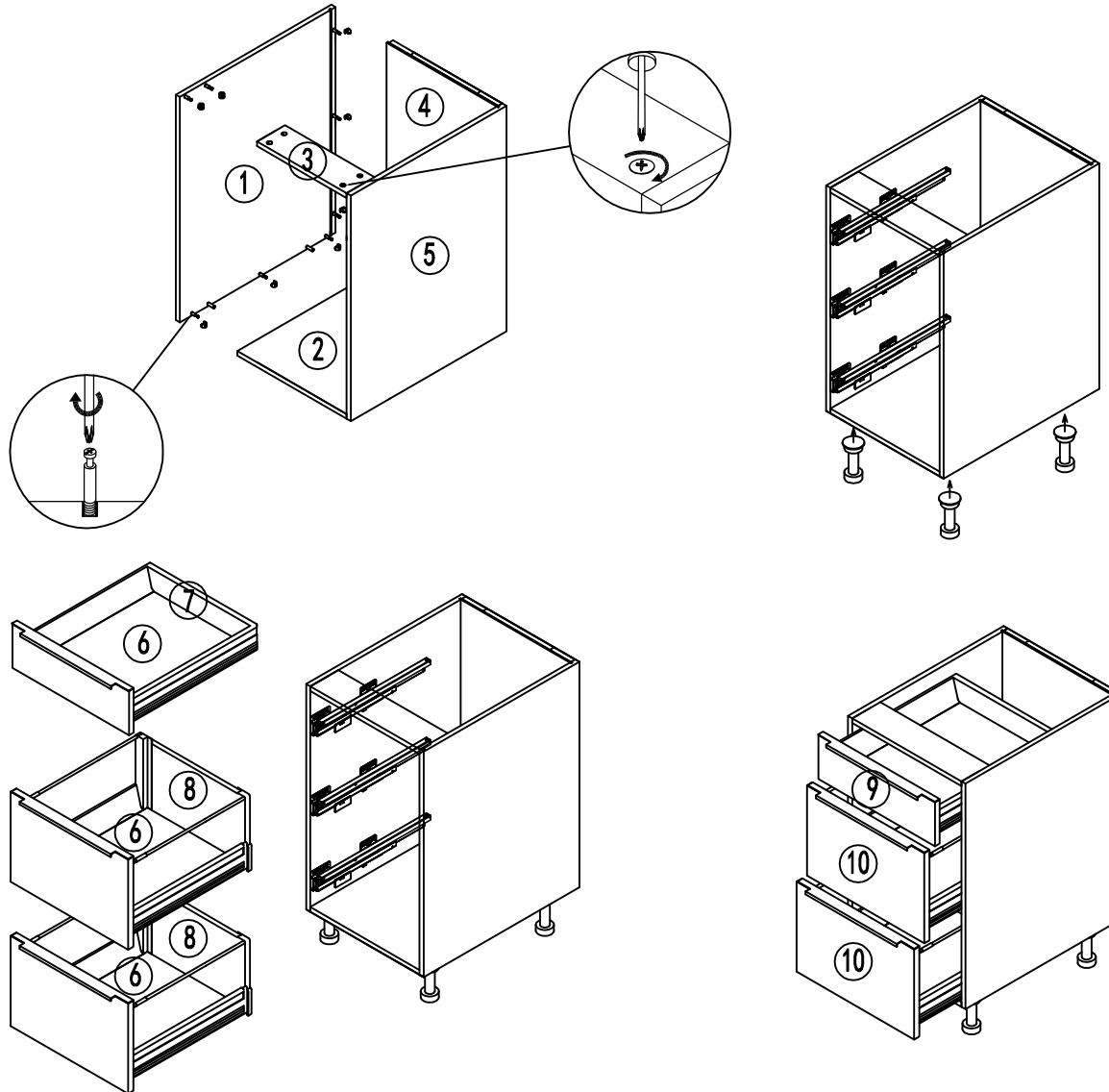
VDB21-3



VDB21-3					
PICTURE	ITEM	SPEC	QTY.		
	Cam lock	Ø15*13	16		
	Cam lock screw	Ø8*35	16		
	Dowel	Ø8*35	4		
	ABS Leg	4 3/4" ± 3/4"	4		
	Drawer slide (N)	Length=19 5/8"	1		
	drawer slide (H)	Length=19 5/8"	2		
BOX					
Part	L	W	T	QTY.	
1	Left panel	30"	21"	3/4"	1
2	Bottom panel	21"	19 1/2"	3/4"	1
3	panel	19 1/2"	4 1/8"	3/4"	1
4	Back panel	29 3/8"	19 7/8"	7/8"	1
5	Right panel	30"	21"	3/4"	1
6	Drawer bottom panel	18 3/4"	16 5/8"	5/8"	3
7	Drawer back panel (N)	16 1/8"	3 1/4"	5/8"	1
8	Drawer back panel (H)	16 1/8"	7 7/8"	5/8"	2
total				11	
DOOR					
9	Drawer front	20 7/8"	5 7/8"	3/4"	1
10	Drawer front	20 7/8"	11 7/8"	3/4"	2

ASSEMBLY INSTRUCTION

VDB24-3

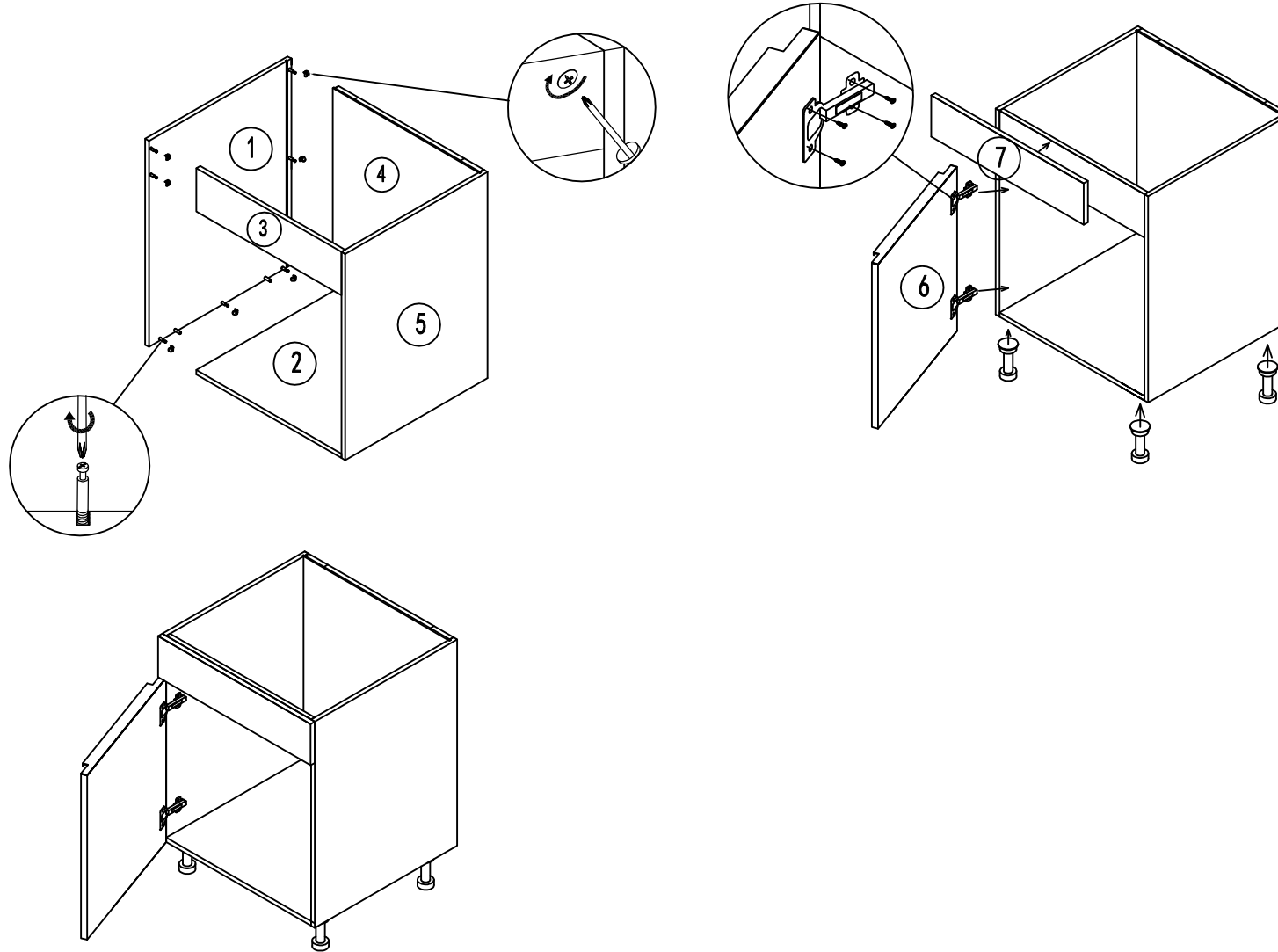


VDB24-3

PICTURE	ITEM	SPEC	QTY.		
	Cam lock	Ø15*13	16		
	Cam lock screw	Ø8*35	16		
	Dowel	Ø8*35	4		
	ABS Leg	4 3/4" ± 3/4"	4		
	Drawer slide (N)	Length=19 5/8"	1		
	drawer slide (H)	Length=19 5/8"	2		
BOX					
	Part	L	W	T	QTY.
1	Left panel	30"	21"	3/4"	1
2	Bottom panel	21"	22 1/2"	3/4"	1
3	panel	22 1/2"	4 1/8"	3/4"	1
4	Back panel	29 3/8"	22 7/8"	7/8"	1
5	Right panel	30"	21"	3/4"	1
6	Drawer bottom panel	18 3/4"	19 5/8"	5/8"	3
7	Drawer back panel (N)	19 1/8"	3 1/4"	5/8"	1
8	Drawer back panel (H)	19 1/8"	7 7/8"	5/8"	2
					total 11
DOOR					
9	Drawer front	23 7/8"	5 7/8"	3/4"	1
10	Drawer front	23 7/8"	11 7/8"	3/4"	2

ASSEMBLY INSTRUCTION

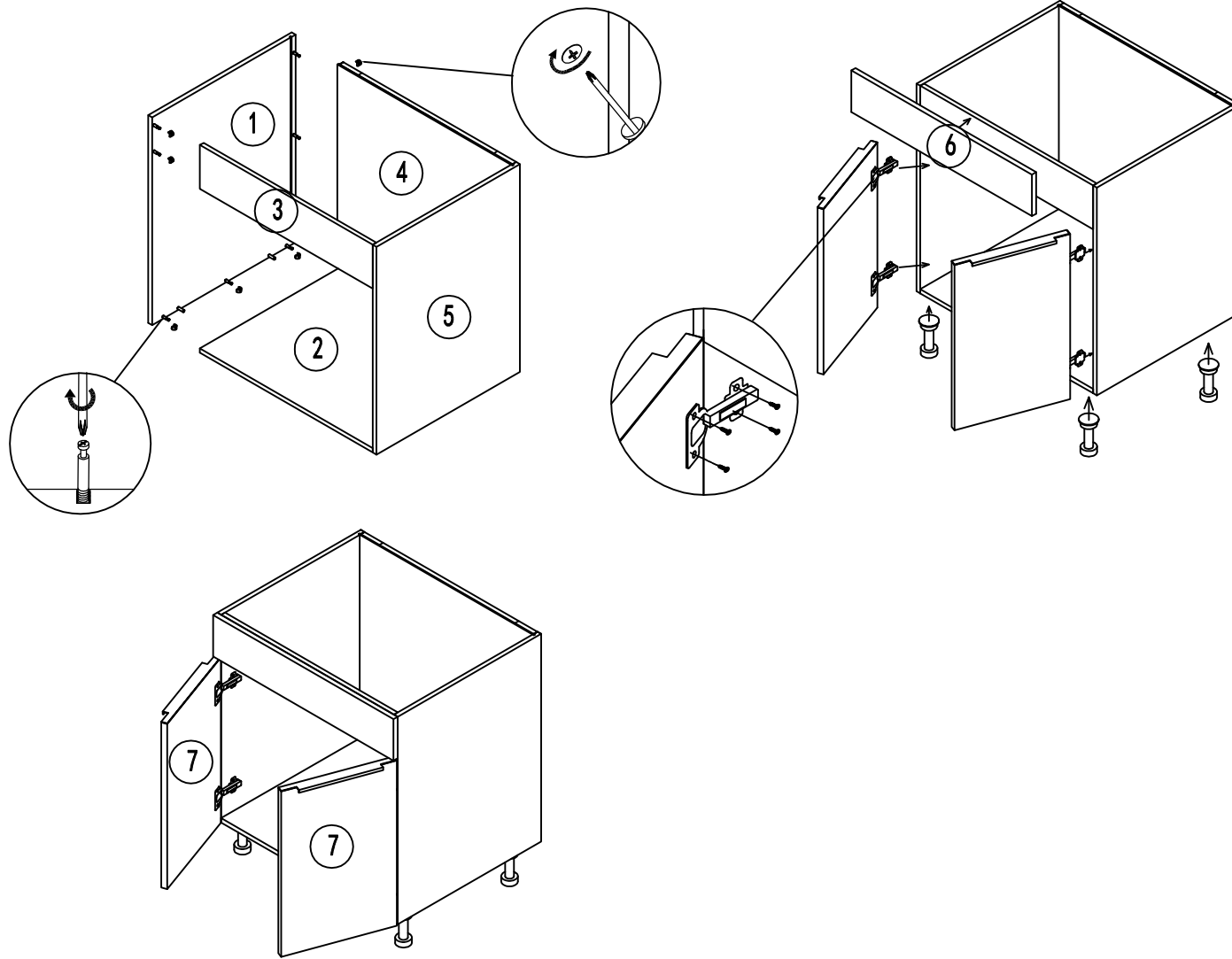
VSB24



VSB24					
PICTURE	ITEM	SPEC	QTY.		
	Hinge	Damper hinges	2		
	Cam lock	Ø15*13	16		
	Cam lock screw	Ø8*35	16		
	Dowel	Ø8*35	4		
	ABS Leg	4 3/4" ±3/4"	4		
BOX					
Part	L	W	T	QTY.	
1	Left panel	30"	21"	3/4"	1
2	Bottom panel	21"	22 1/2"	3/4"	1
3	panel	22 1/2"	6 1/4"	3/4"	1
4	Back panel	29 3/8"	22 7/8"	7/8"	1
5	Right panel	30"	21"	3/4"	1
total				5	
DOOR					
6	Door	23 7/8"	23 7/8"	3/4"	1
7	fix door	23 7/8"	5 7/8"	3/4"	1

ASSEMBLY INSTRUCTION

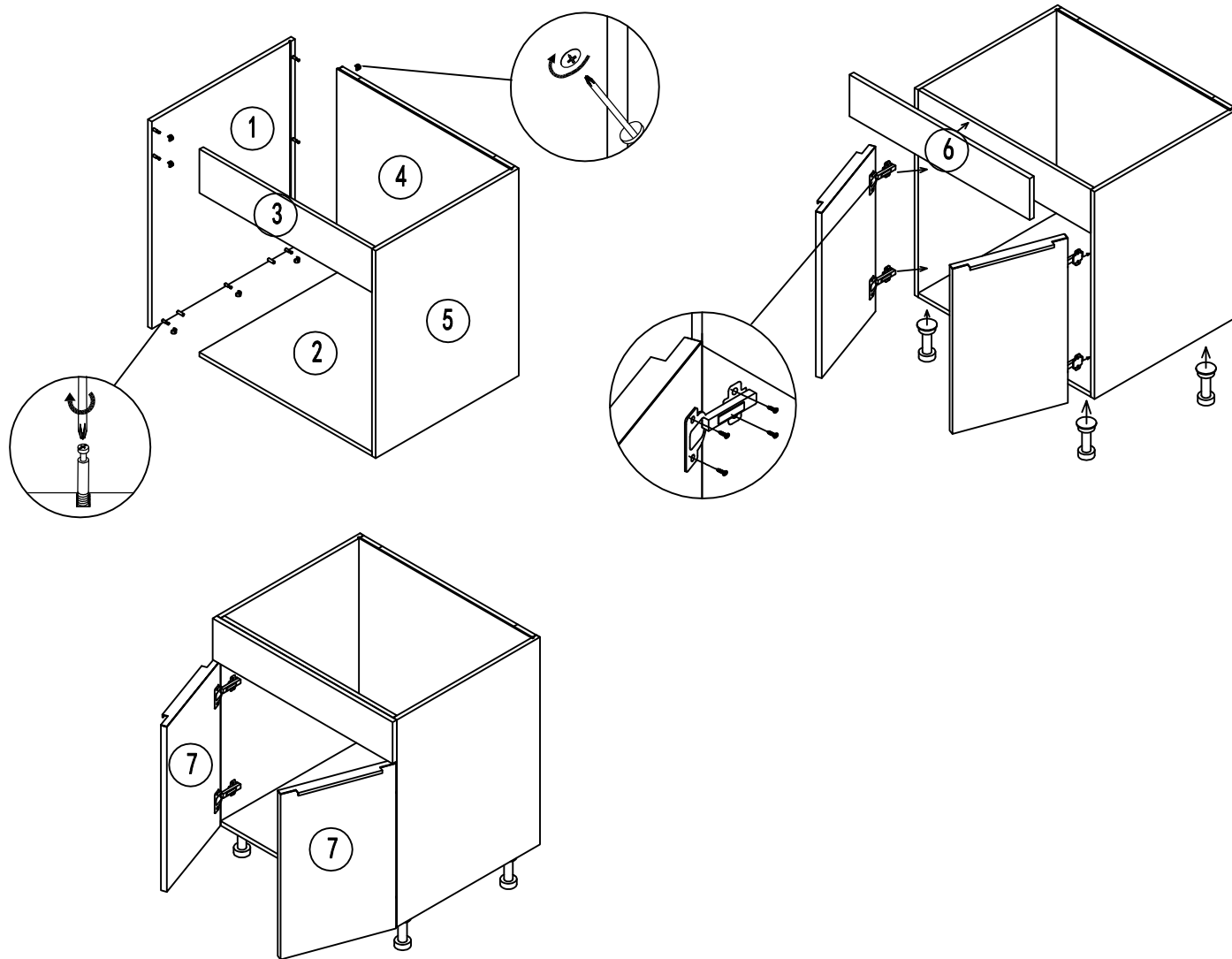
VSB24DD



VSB24DD					
PICTURE	ITEM	SPEC	QTY.		
	Hinge	Damper hinges	4		
	Cam lock	Ø15*13	16		
	Cam lock screw	Ø8*35	16		
	Dowel	Ø8*35	4		
	ABS Leg	4 3/4" ±3/4"	4		
BOX					
Part	L	W	T	QTY.	
1	Left panel	30"	21"	3/4"	1
2	Bottom panel	21"	22 1/2"	3/4"	1
3	panel	22 1/2"	6 1/4"	3/4"	1
4	Back panel	29 3/8"	22 7/8"	7/8"	1
5	Right panel	30"	21"	3/4"	1
total				5	
DOOR					
6	fix door	23 7/8"	5 7/8"	3/4"	1
7	Door	23 7/8"	11 7/8"	3/4"	2

ASSEMBLY INSTRUCTION

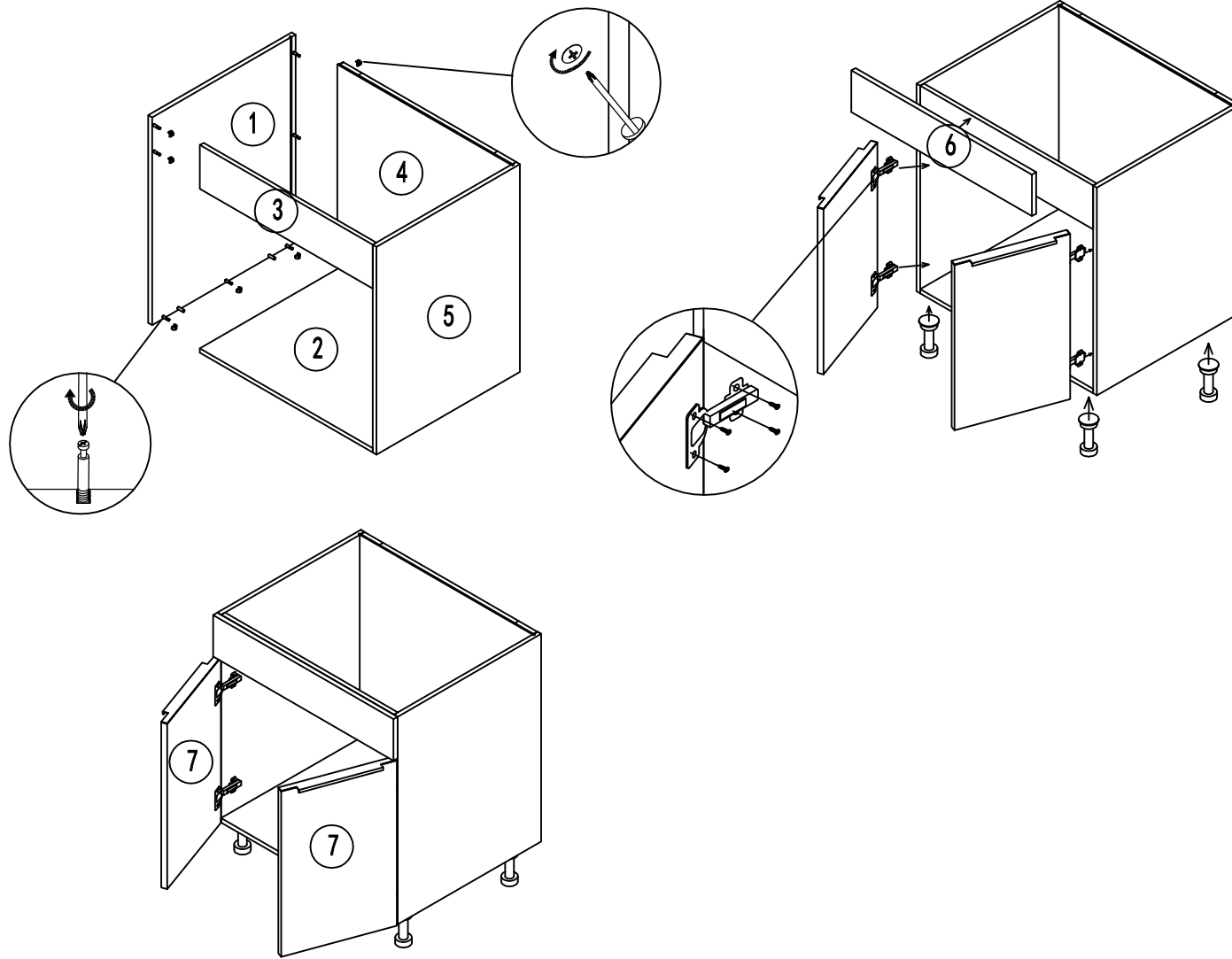
VSB27



VSB27					
PICTURE	ITEM	SPEC	QTY.		
	Hinge	Damper hinges	4		
	Cam lock	Ø15*13	16		
	Cam lock screw	Ø8*35	16		
	Dowel	Ø8*35	4		
	ABS Leg	4 3/4" ±3/4"	4		
BOX					
Part	L	W	T	QTY.	
1	Left panel	30"	21"	3/4"	1
2	Bottom panel	21"	25 1/2"	3/4"	1
3	panel	25 1/2"	6 1/4"	3/4"	1
4	Back panel	29 3/8"	25 7/8"	7/8"	1
5	Right panel	30"	21"	3/4"	1
total				5	
DOOR					
6	fix door	26 7/8"	5 7/8"	3/4"	1
7	door	13 3/8"	23 7/8"	3/4"	2

ASSEMBLY INSTRUCTION

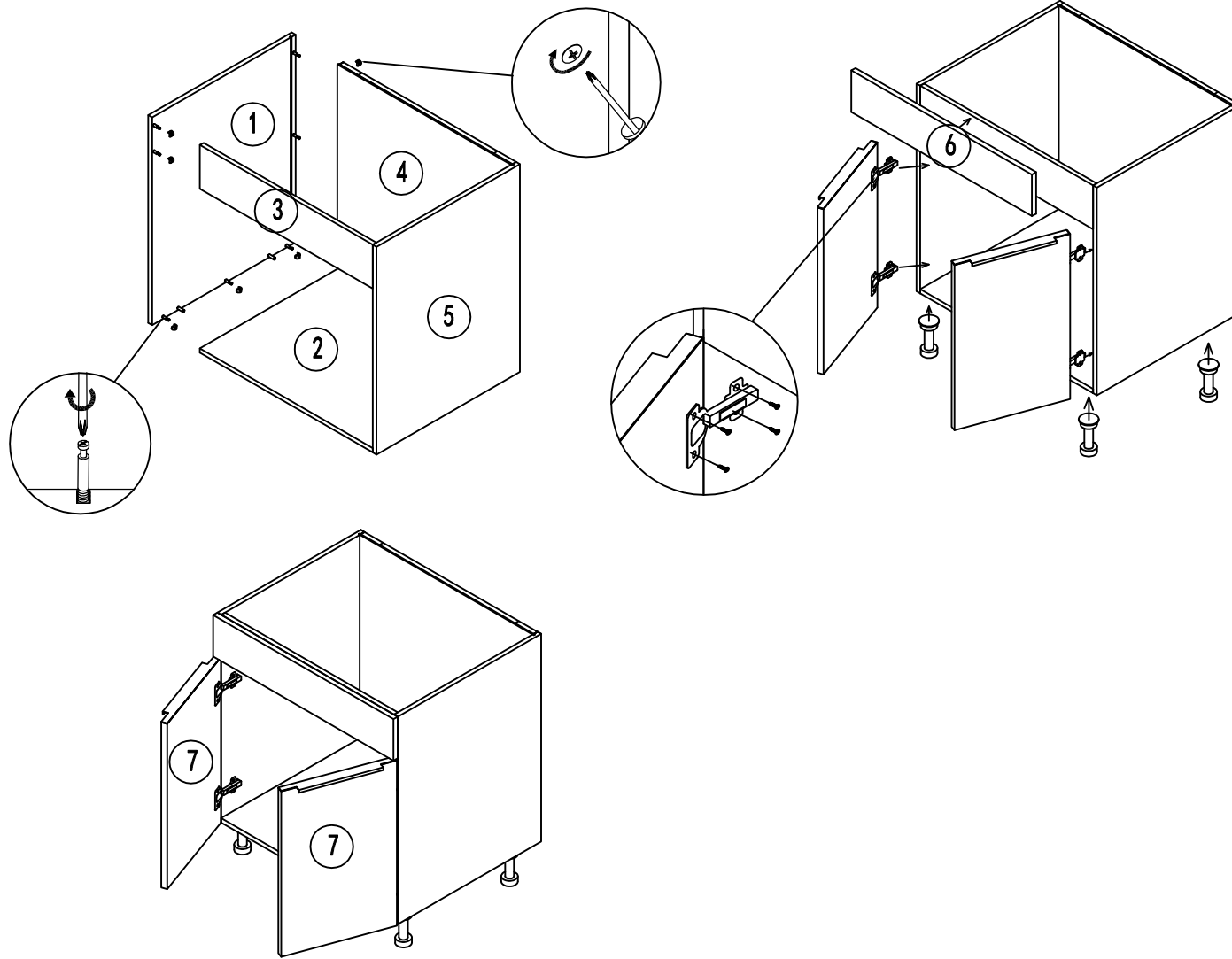
VSB30



VSB30					
PICTURE	ITEM	SPEC	QTY.		
	Hinge	Damper hinges	4		
	Cam lock	Ø15*13	16		
	Cam lock screw	Ø8*35	16		
	Dowel	Ø8*35	4		
	ABS Leg	4 3/4" ± 3/4"	4		
BOX					
Part	L	W	T	QTY.	
1	Left panel	30"	21"	3/4"	1
2	Bottom panel	21"	28 1/2"	3/4"	1
3	panel	28 1/2"	6 1/4"	3/4"	1
4	Back panel	29 3/8"	28 7/8"	7/8"	1
5	Right panel	30"	21"	3/4"	1
total				5	
DOOR					
6	fix door	29 7/8"	5 7/8"	3/4"	1
7	door	14 7/8"	23 7/8"	3/4"	2

ASSEMBLY INSTRUCTION

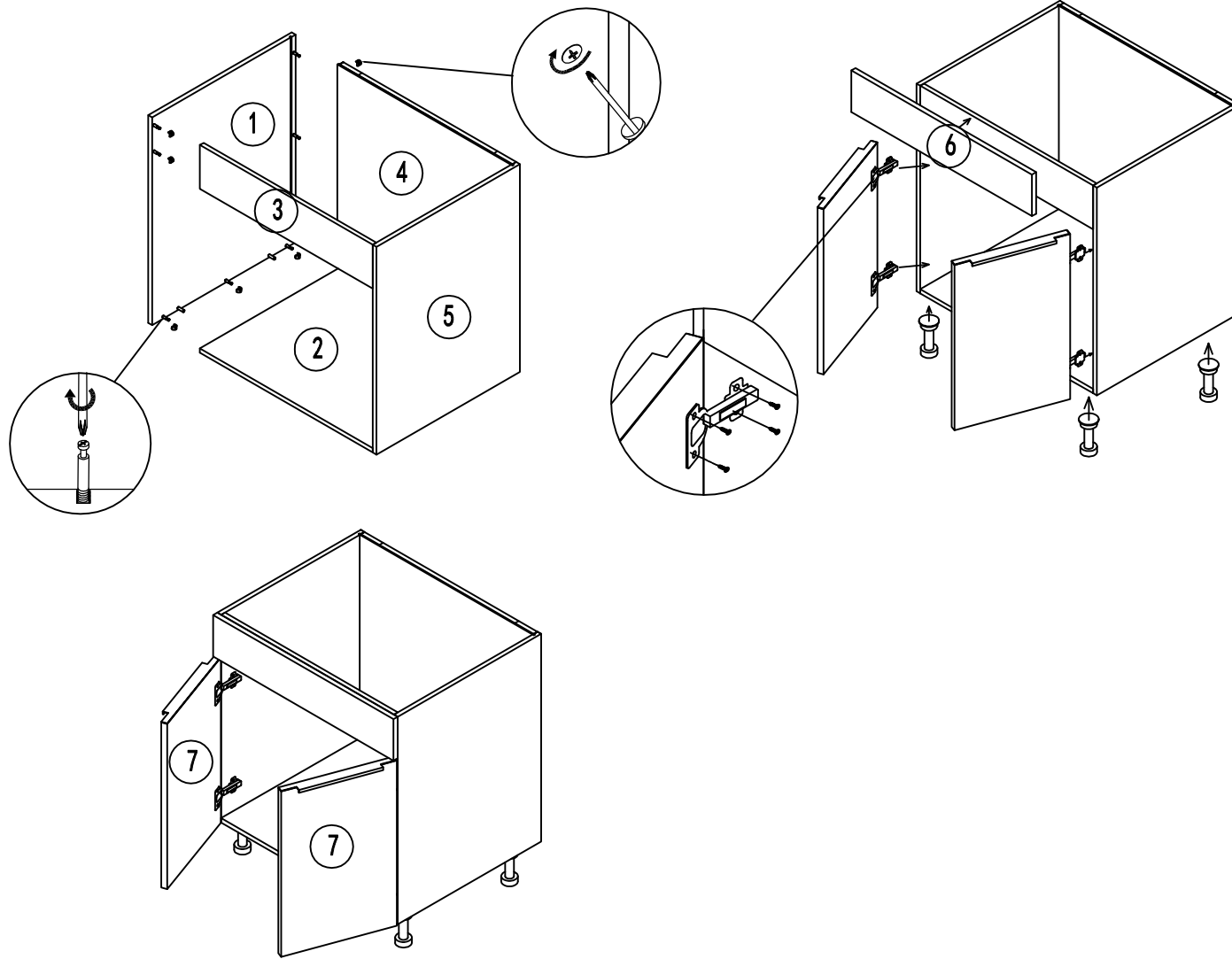
VSB33



VSB36					
PICTURE	ITEM	SPEC	QTY.		
	Hinge	Damper hinges	4		
	Cam lock	Ø15*13	16		
	Cam lock screw	Ø8*35	16		
	Dowel	Ø8*35	4		
	ABS Leg	4 3/4" ± 3/4"	4		
BOX					
Part	L	W	T	QTY.	
1	Left panel	30"	21"	3/4"	1
2	Bottom panel	21"	31 1/2"	3/4"	1
3	panel	31 1/2"	6 1/4"	3/4"	1
4	Back panel	29 3/8"	31 7/8"	7/8"	1
5	Right panel	30"	21"	3/4"	1
				total 5	
DOOR					
6	fix door	32 7/8"	5 7/8"	3/4"	1
7	door	16 7/8"	23 7/8"	3/4"	2

ASSEMBLY INSTRUCTION

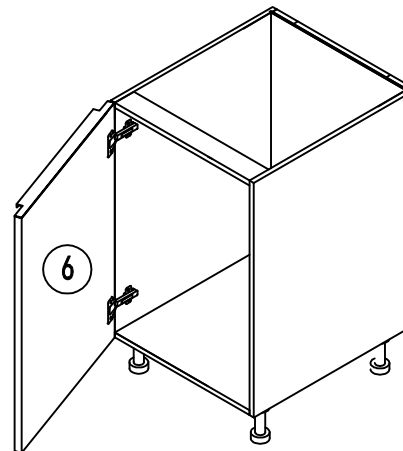
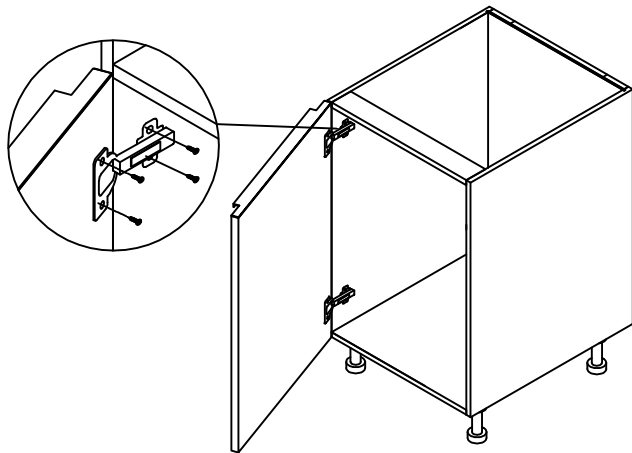
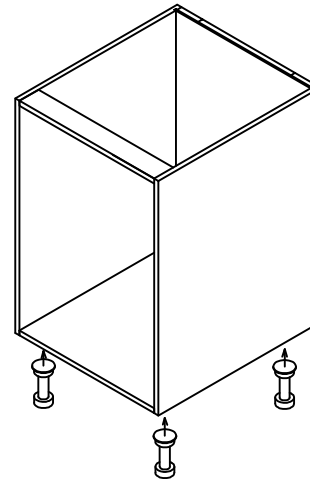
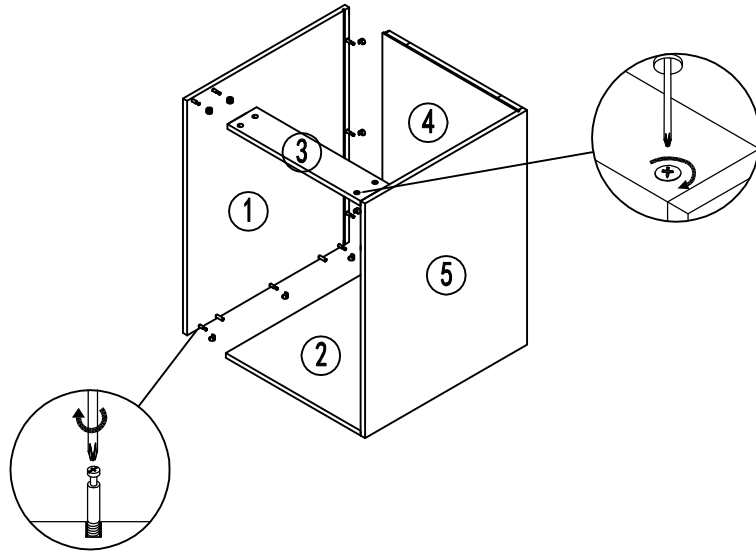
VSB36



VSB36					
PICTURE	ITEM	SPEC	QTY.		
	Hinge	Damper hinges	4		
	Cam lock	Ø15*13	16		
	Cam lock screw	Ø8*35	16		
	Dowel	Ø8*35	4		
	ABS Leg	4 3/4" ±3/4"	4		
BOX					
Part	L	W	T	QTY.	
1	Left panel	30"	21"	3/4"	1
2	Bottom panel	21"	34 1/2"	3/4"	1
3	panel	34 1/2"	6 1/4"	3/4"	1
4	Back panel	29 3/8"	35 7/8"	7/8"	1
5	Right panel	30"	21"	3/4"	1
total				5	
DOOR					
6	fix door	35 7/8"	5 7/8"	3/4"	1
7	door	17 7/8"	23 7/8"	3/4"	2

ASSEMBLY INSTRUCTION

VSB24FD



VSB24FD

PICTURE	ITEM	SPEC	QTY.
	Hinge	Damper hinges	2
	Cam lock	Ø15*13	16
	Cam lock screw	Ø8*35	16
	Dowel	Ø8*35	4
	ABS Leg	4 3/4" ± 3/4"	4

BOX

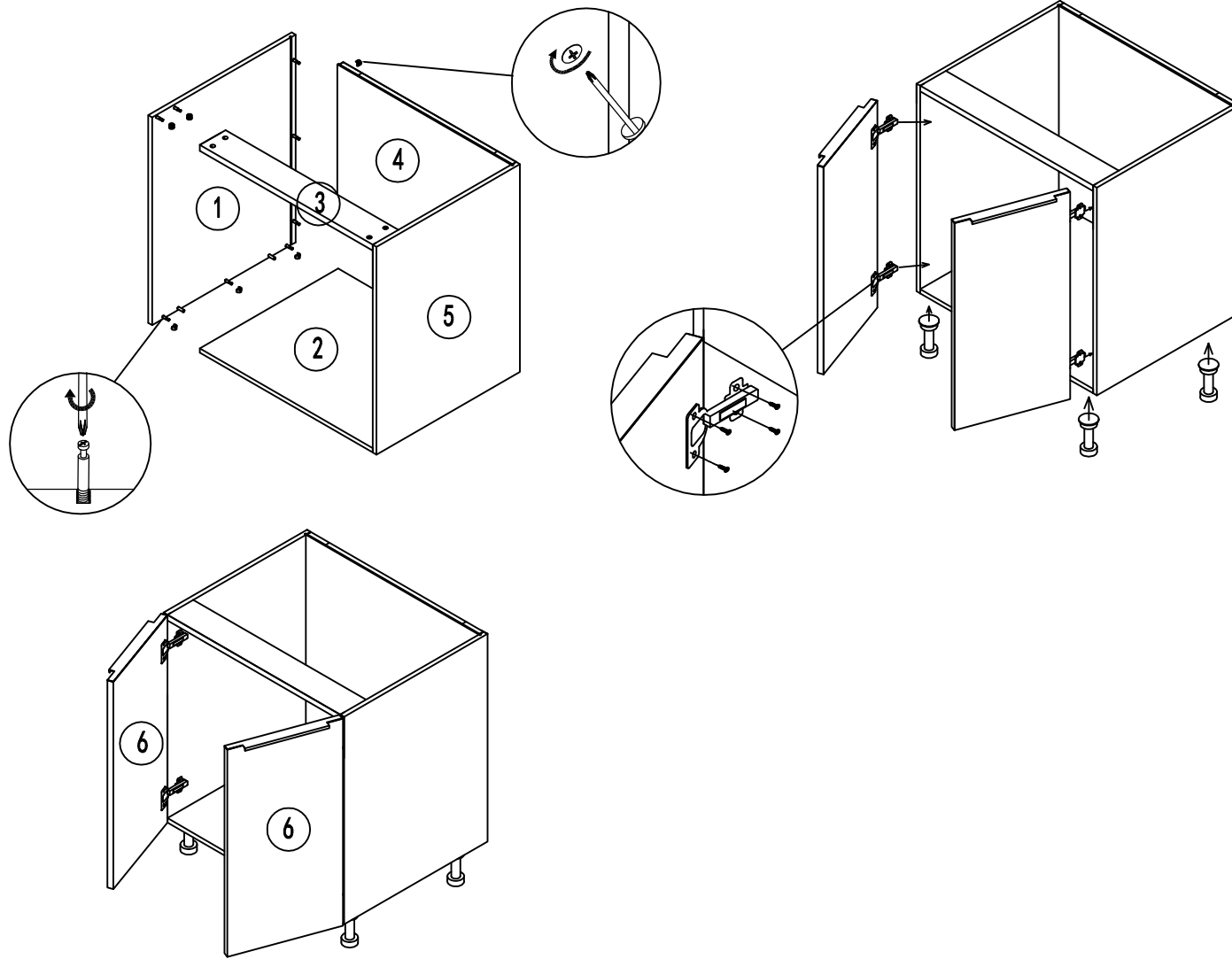
Part	L	W	T	QTY.
1 Left panel	30"	21"	3/4"	1
2 Bottom panel	21"	22 1/2"	3/4"	1
3 panel	22 1/2"	4 1/8"	3/4"	1
4 Back panel	29 3/8"	22 7/8"	7/8"	1
5 Right panel	30"	21"	3/4"	1
total 5				

DOOR

6 Door	23 7/8"	29 7/8"	3/4"	1
--------	---------	---------	------	---

ASSEMBLY INSTRUCTION

VSB27FD



VSB27FD

PICTURE	ITEM	SPEC	QTY.
	Hinge	Damper hinges	4
	Cam lock	Ø15*13	16
	Cam lock screw	Ø8*35	16
	Dowel	Ø8*35	4
	ABS Leg	4 3/4" ± 3/4"	4

BOX

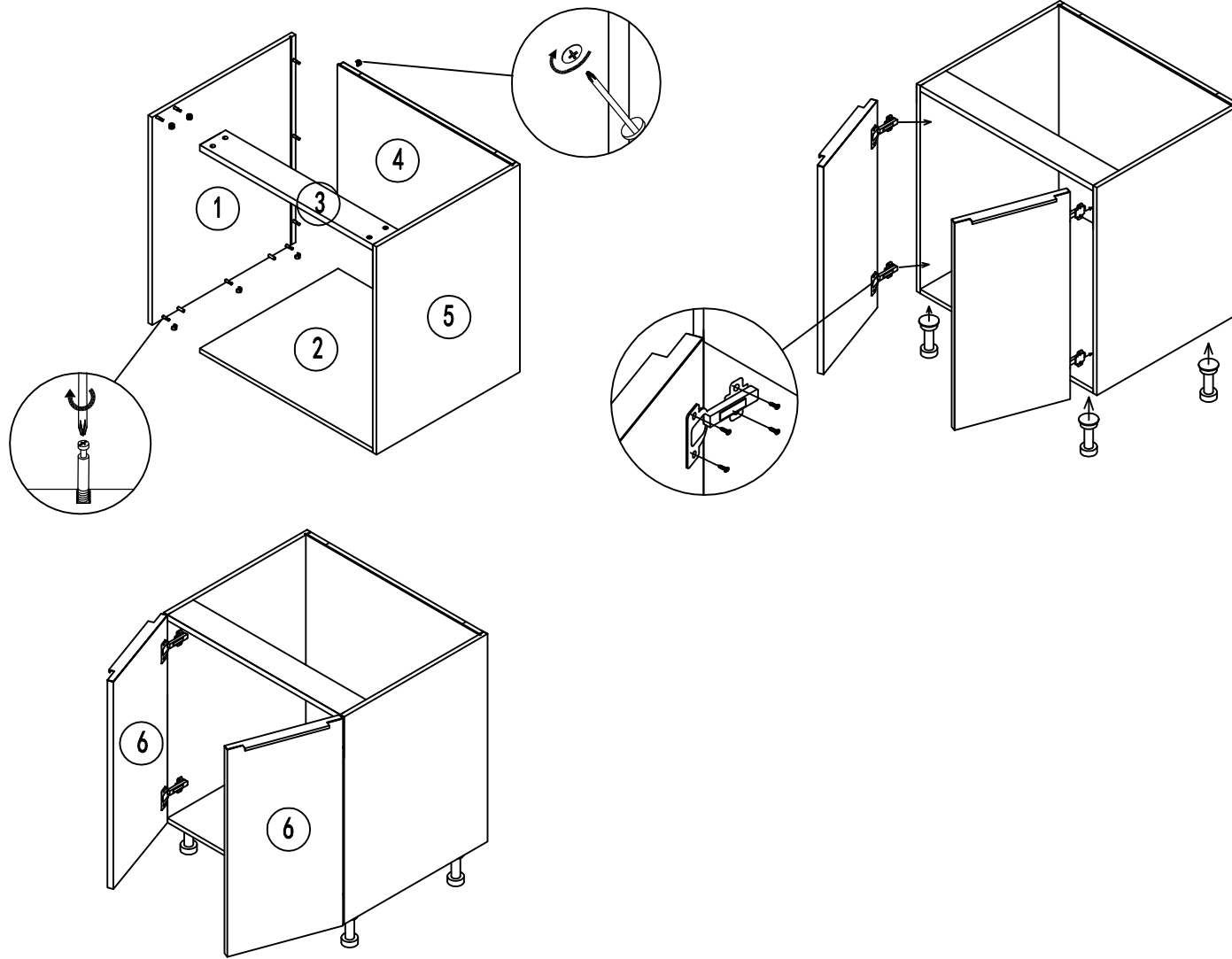
Part	L	W	T	QTY.
1 Left panel	30"	21"	3/4"	1
2 Bottom panel	21"	25 1/2"	3/4"	1
3 panel	25 1/2"	4 1/8"	3/4"	1
4 Back panel	29 3/8"	25 7/8"	7/8"	1
5 Right panel	30"	21"	3/4"	1
total 5				

DOOR

6 door	13 3/8"	29 7/8"	3/4"	2
--------	---------	---------	------	---

ASSEMBLY INSTRUCTION

VSB30FD



VSB30FD

PICTURE	ITEM	SPEC	QTY.
	Hinge	Damper hinges	4
	Cam lock	Ø15*13	16
	Cam lock screw	Ø8*35	16
	Dowel	Ø8*35	4
	ABS Leg	4 3/4" ± 3/4"	4

BOX

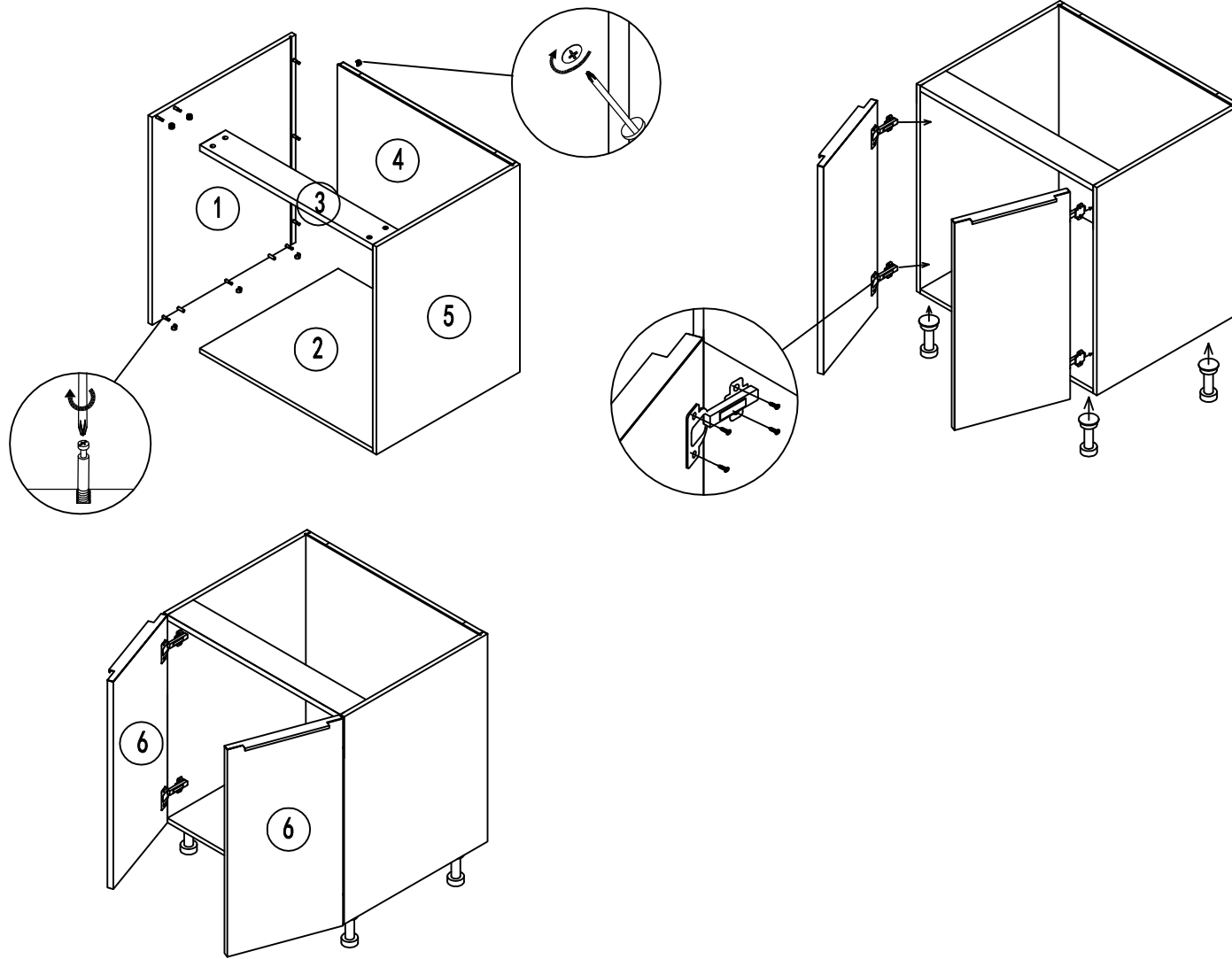
Part	L	W	T	QTY.
1 Left panel	30"	21"	3/4"	1
2 Bottom panel	21"	28 1/2"	3/4"	1
3 panel	28 1/2"	4 1/8"	3/4"	1
4 Back panel	29 3/8"	28 7/8"	7/8"	1
5 Right panel	30"	21"	3/4"	1
total 5				

DOOR

6 door	14 7/8"	29 7/8"	3/4"	2
--------	---------	---------	------	---

ASSEMBLY INSTRUCTION

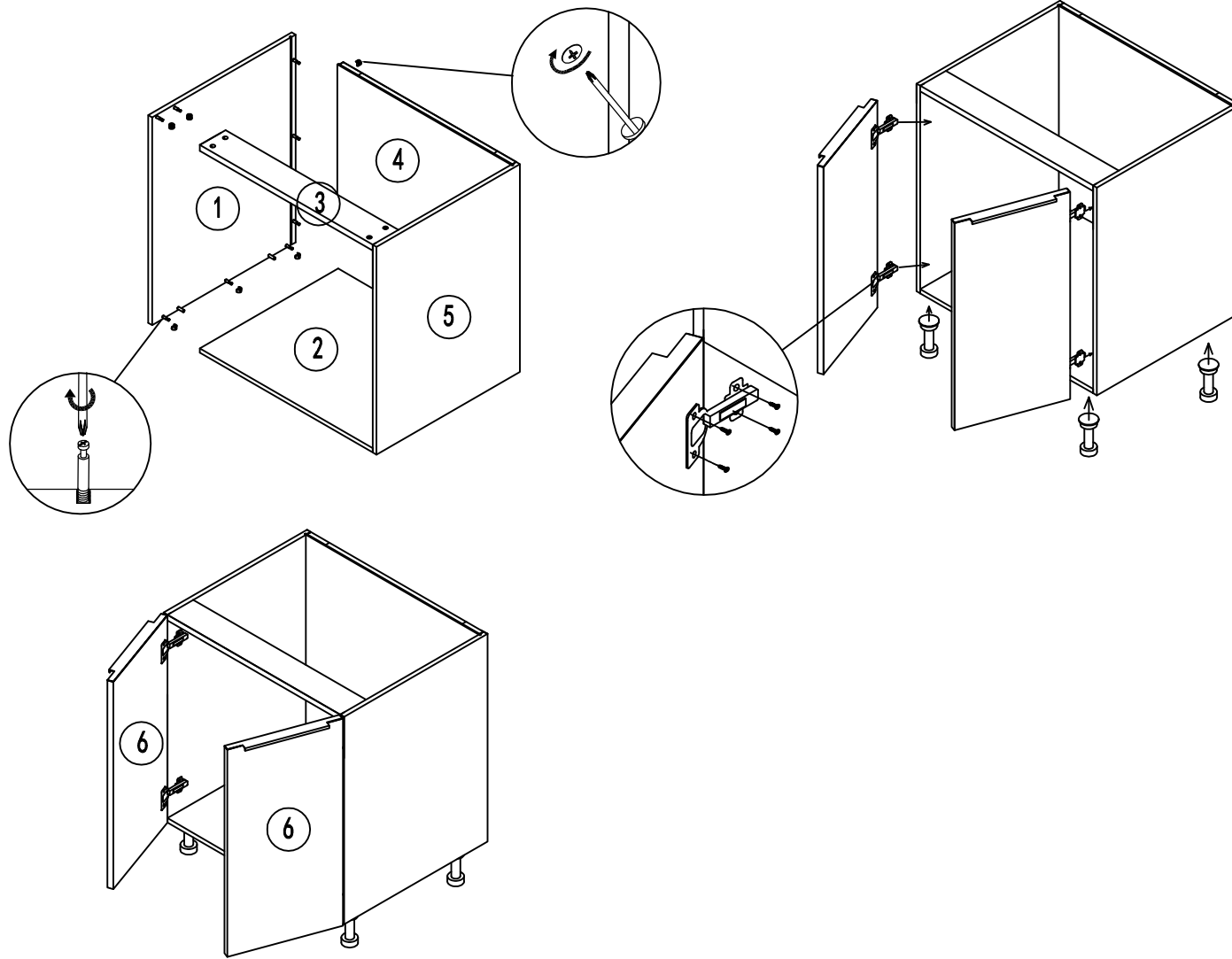
VSB33FD



VSB33FD					
PICTURE	ITEM	SPEC	QTY.		
	Hinge	Damper hinges	4		
	Cam lock	Ø15*13	16		
	Cam lock screw	Ø8*35	16		
	Dowel	Ø8*35	4		
	ABS Leg	4 3/4" ± 3/4"	4		
BOX					
Part	L	W	T	QTY.	
1	Left panel	30"	21"	3/4"	1
2	Bottom panel	21"	31 1/2"	3/4"	1
3	panel	31 1/2"	4 1/8"	3/4"	1
4	Back panel	29 3/8"	31 7/8"	7/8"	1
5	Right panel	30"	21"	3/4"	1
				total 5	
DOOR					
6	door	16 3/8"	29 7/8"	3/4"	2

ASSEMBLY INSTRUCTION

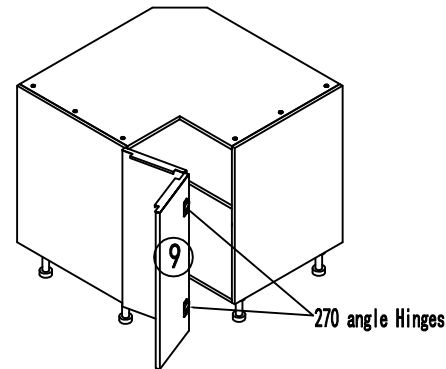
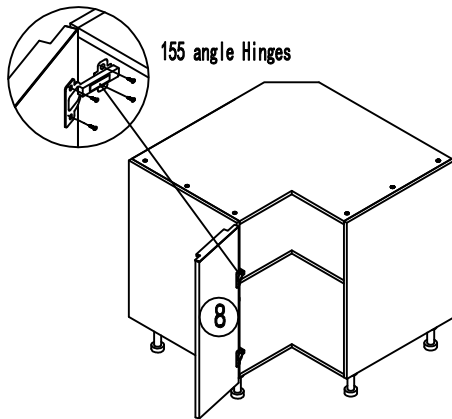
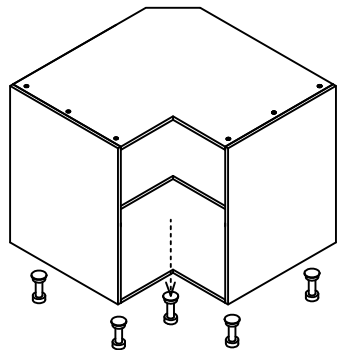
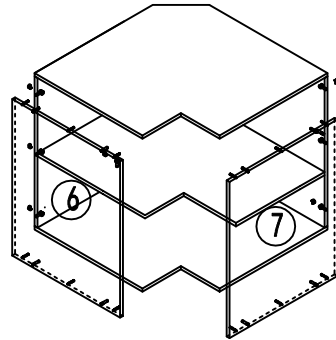
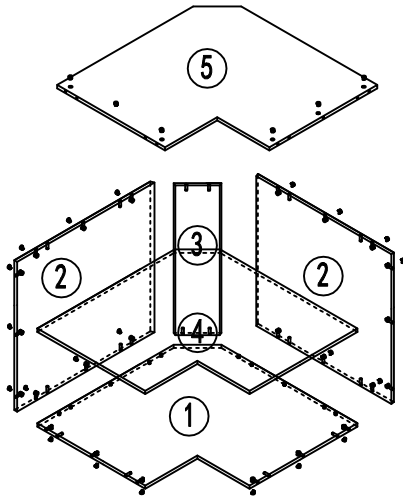
VSB36FD



VSB36FD					
PICTURE	ITEM	SPEC	QTY.		
	Hinge	Damper hinges	4		
	Cam lock	Ø15*13	16		
	Cam lock screw	Ø8*35	16		
	Dowel	Ø8*35	4		
	ABS Leg	4 3/4" ± 3/4"	4		
BOX					
Part	L	W	T	QTY.	
1	Left panel	30"	21"	3/4"	1
2	Bottom panel	21"	34 1/2"	3/4"	1
3	panel	34 1/2"	4 1/8"	3/4"	1
4	Back panel	29 3/8"	35 7/8"	7/8"	1
5	Right panel	30"	21"	3/4"	1
				total 5	
DOOR					
6	door	17 7/8"	29 7/8"	3/4"	2

ASSEMBLY INSTRUCTION

BLS33



BLS33

PICTURE	ITEM	SPEC	QTY
	Hinge	155 angle Hinges	2
	Hinge	270 angle Hinges	2
	Cam lock	φ15*13	30
	Cam lock screw	φ8*35	30
	Dowel	φ8*35	20
	Shelf support	φ5	6
	ABS Leg	4 3/4" ± 3/4"	6

BOX

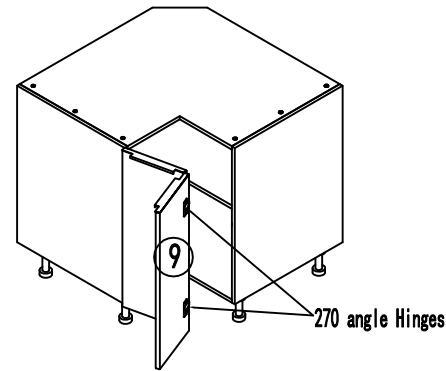
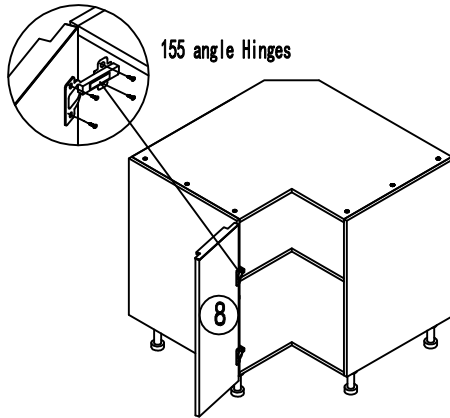
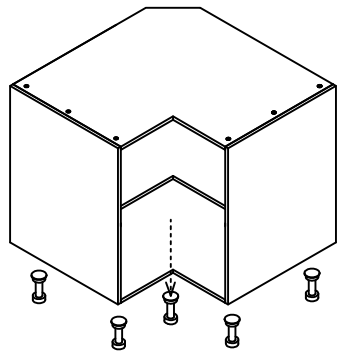
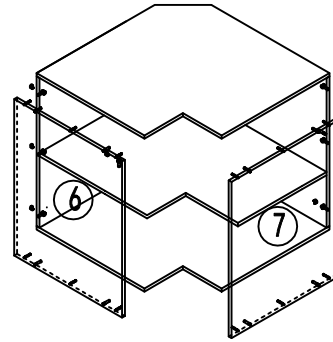
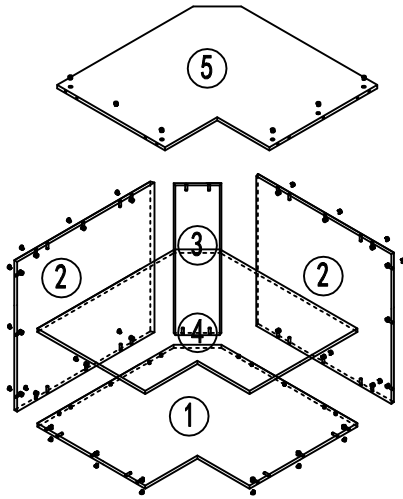
Part	L	W	T	QTY.
1 Bottom panel	32 1/4"	32 1/4"	3/4"	1
2 Back panel	28 1/2"	26 1/4"	3/4"	2
3 Back panel (M)	28 1/2"	8 1/2"	3/4"	1
4 Shelf	31 1/2"	31 1/2"	3/4"	1
5 Top panel	32 1/4"	32 1/4"	3/4"	1
6 Left panel	30"	23 7/8"	3/4"	1
7 Right panel	30"	23 7/8"	3/4"	1
				total 8

DOOR

8 Door	8 1/4"	29 3/4"	3/4"	1
9 Door	8 1/4"	29 3/4"	3/4"	1

ASSEMBLY INSTRUCTION

BLS36



BLS36

PICTURE	ITEM	SPEC	QTY
	Hinge	155 angle Hinges	2
	Hinge	270 angle Hinges	2
	Cam lock	φ15*13	30
	Cam lock screw	φ8*35	30
	Dowel	φ8*35	20
	Shelf support	φ5	6
	ABS Leg	4 3/4" ± 3/4"	6

BOX

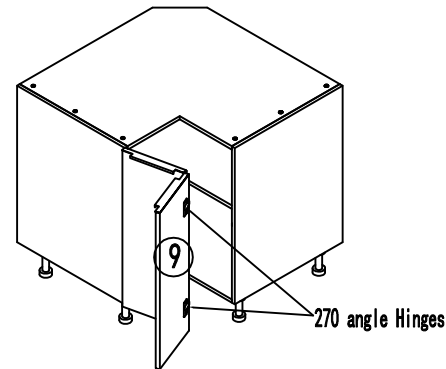
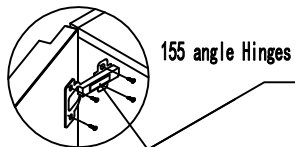
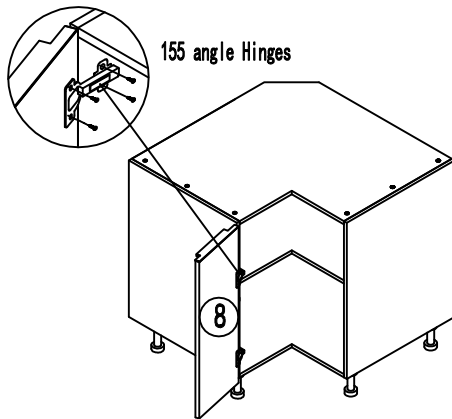
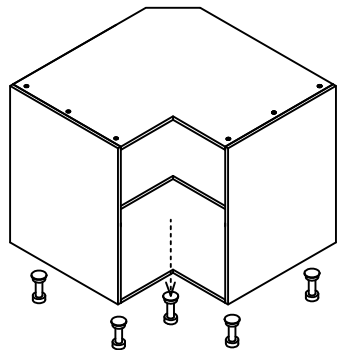
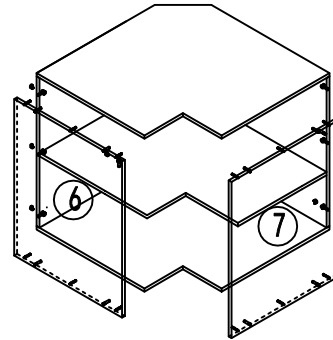
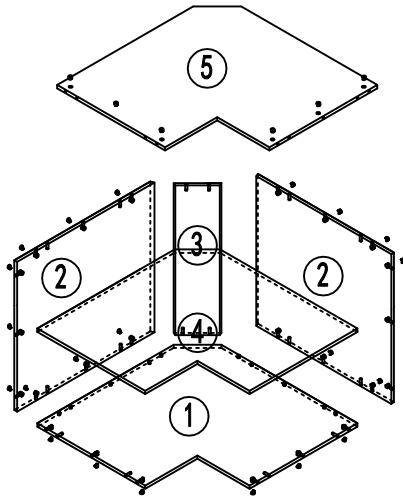
Part	L	W	T	QTY.
1 Bottom panel	35 1/4"	35 1/4"	3/4"	1
2 Back panel	28 1/2"	29 1/4"	3/4"	2
3 Back panel (M)	28 1/2"	8 1/2"	3/4"	1
4 Shelf	34 1/2"	34 1/2"	3/4"	1
5 top	35 1/4"	35 1/4"	3/4"	1
6 Left panel	30"	23 7/8"	3/4"	1
7 Right panel	30"	23 7/8"	3/4"	1
				total 8

DOOR

8 door	11 1/4"	29 3/4"	3/4"	1
9 door	11 1/4"	29 3/4"	3/4"	1

ASSEMBLY INSTRUCTION

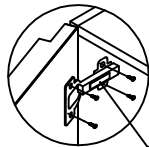
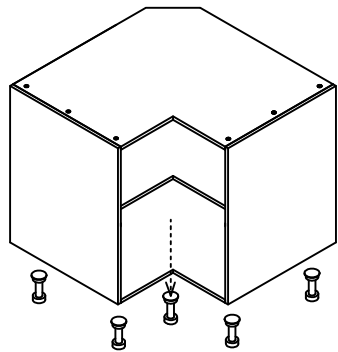
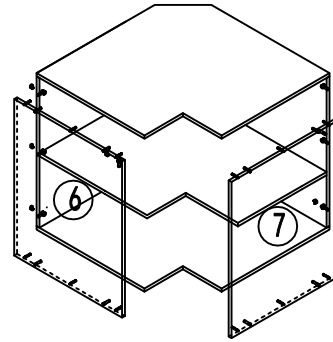
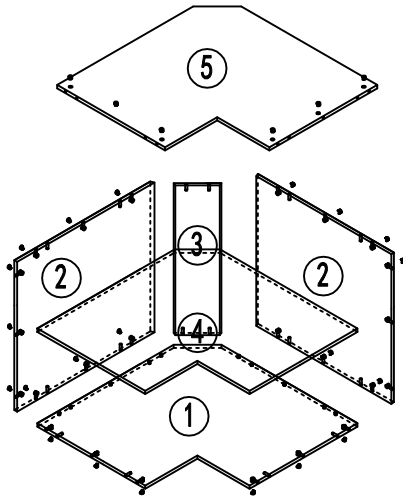
BER33



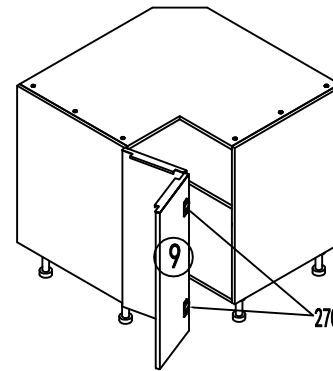
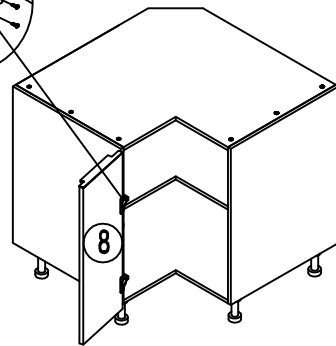
BER33					
PICTURE	ITEM	SPEC	QTY		
	Hinge	155 angle Hinges	2		
	Hinge	270 angle Hinges	2		
	Cam lock	φ15*13	30		
	Cam lock screw	φ8*35	30		
	Dowel	φ8*35	20		
	Shelf support	φ5	6		
	ABS Leg	4 3/4" ± 3/4"	6		
BOX					
Part	L	W	T	QTY.	
1	Bottom panel	32 1/4"	32 1/4"	3/4"	1
2	Back panel	28 1/2"	26 1/4"	3/4"	2
3	Back panel (M)	28 1/2"	8 1/2"	3/4"	1
4	Shelf	31 1/2"	31 1/2"	3/4"	1
5	Top panel	32 1/4"	32 1/4"	3/4"	1
6	Left panel	30"	23 7/8"	3/4"	1
7	Right panel	30"	23 7/8"	3/4"	1
total				8	
DOOR					
8	Door	8 1/4"	29 3/4"	3/4"	1
9	Door	8 1/4"	29 3/4"	3/4"	1

ASSEMBLY INSTRUCTION

BER36



155 angle Hinges



270 angle Hinges

BER36

PICTURE	ITEM	SPEC	QTY
	Hinge	155 angle Hinges	2
	Hinge	270 angle Hinges	2
	Cam lock	φ15*13	30
	Cam lock screw	φ8*35	30
	Dowel	φ8*35	20
	Shelf support	φ5	6
	ABS Leg	4 3/4" ± 3/4"	6

BOX

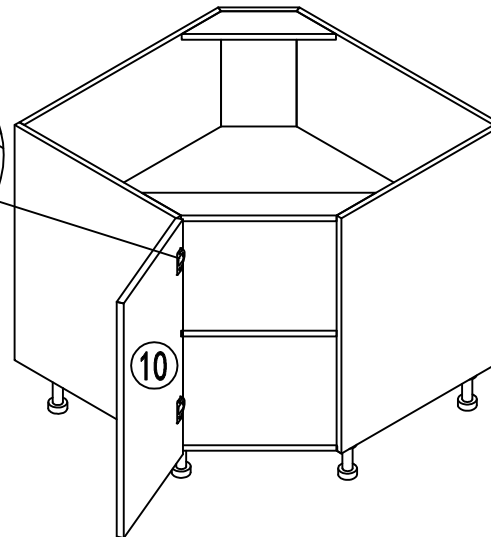
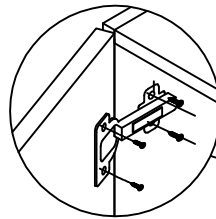
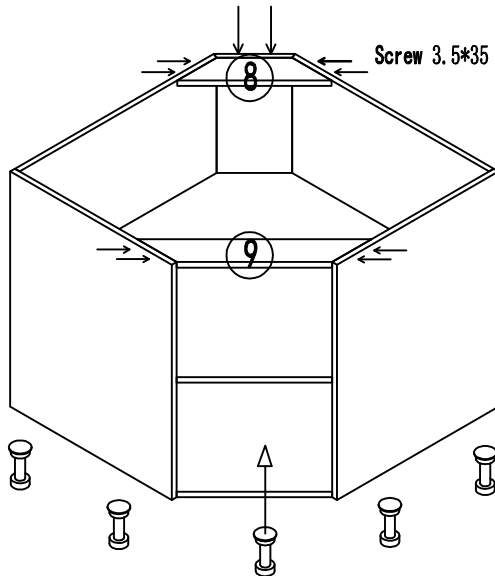
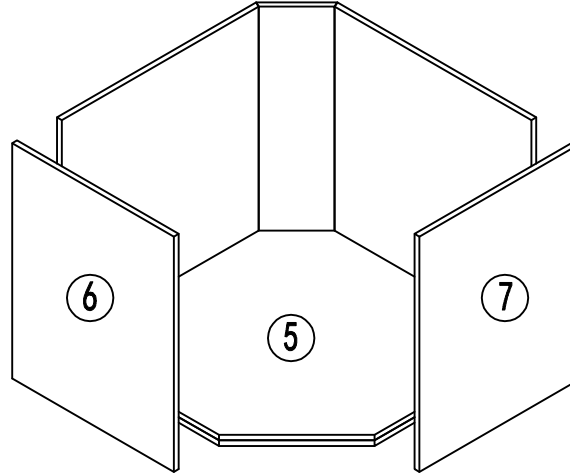
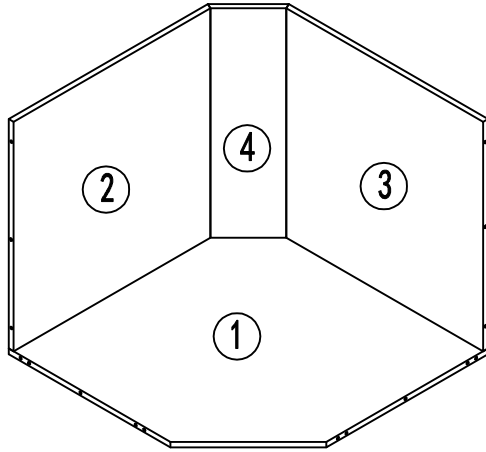
Part	L	W	T	QTY.
1 Bottom panel	35 1/4"	35 1/4"	3/4"	1
2 Back panel	28 1/2"	29 1/4"	3/4"	2
3 Back panel (M)	28 1/2"	8 1/2"	3/4"	1
4 Shelf	34 1/2"	34 1/2"	3/4"	1
5 top	35 1/4"	35 1/4"	3/4"	1
6 Left panel	30"	23 7/8"	3/4"	1
7 Right panel	30"	23 7/8"	3/4"	1
				total 8

DOOR

8 door	11 1/4"	29 3/4"	3/4"	1
9 door	11 1/4"	29 3/4"	3/4"	1

ASSEMBLY INSTRUCTION

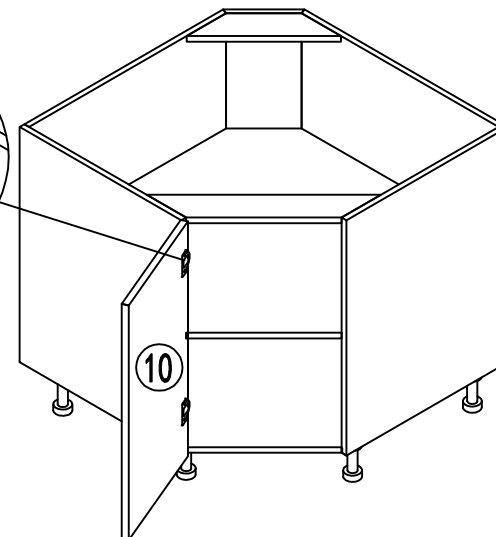
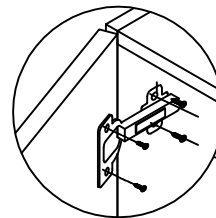
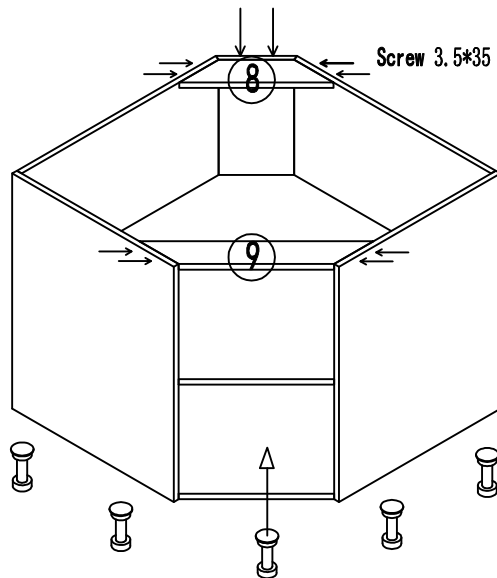
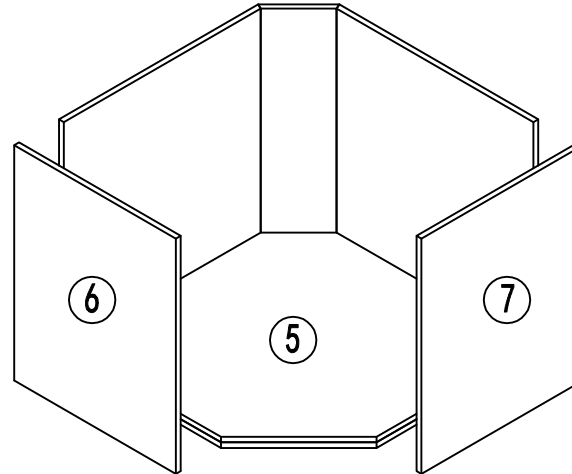
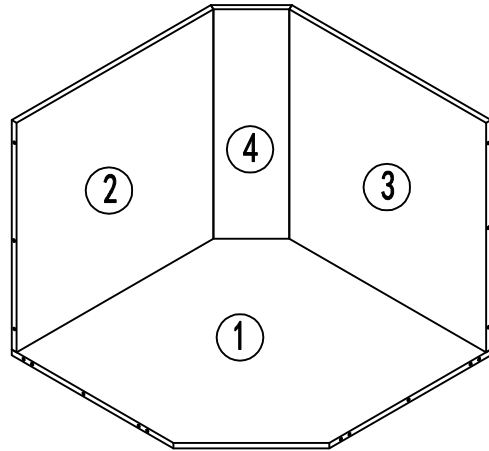
DCSB36



DCSB36				
PICTURE	ITEM	SPEC	QTY.	
	Hinge	45 angle hinges	2	
	Cam lock	Ø15*13	18	
	Cam lock screw	Ø8*35	18	
	Dowel	Ø8*35	10	
	ABS Leg	4 3/4" ± 3/4"	6	
	Shelf support	Ø5	6	
	Screw	3.5*35	10	
BOX				
Part	L	W	T	QTY.
1 Bottom panel	35 1/8"	35 1/8"	3/4"	1
2 Back panel (Left)	29 1/8"	29 1/4"	3/4"	1
3 Back panel (Right)	29 1/8"	29 1/4"	3/4"	1
4 Back panel (Middle)	8 1/2"	29 1/4"	3/4"	1
5 Shelf	34 3/8"	34 3/8"	3/4"	1
6 Left panel	30"	23 7/8"	3/4"	1
7 Right panel	30"	23 7/8"	3/4"	1
8 Panel (Back)	16 1/8"	4 1/8"	3/4"	1
9 Panel (Front)	24 1/8"	4 1/8"	3/4"	1
total 9				
DOOR				
10 Door	29 3/4"	16"	3/4"	1

ASSEMBLY INSTRUCTION

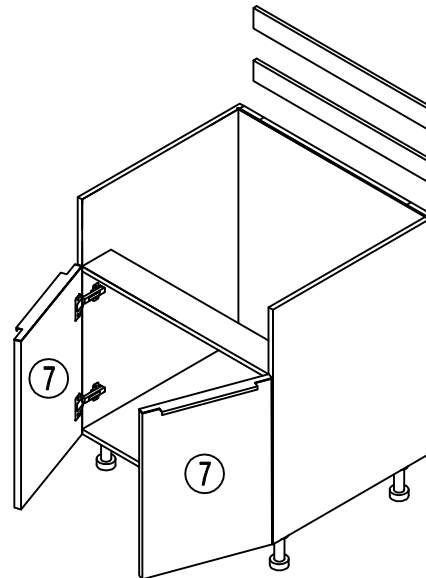
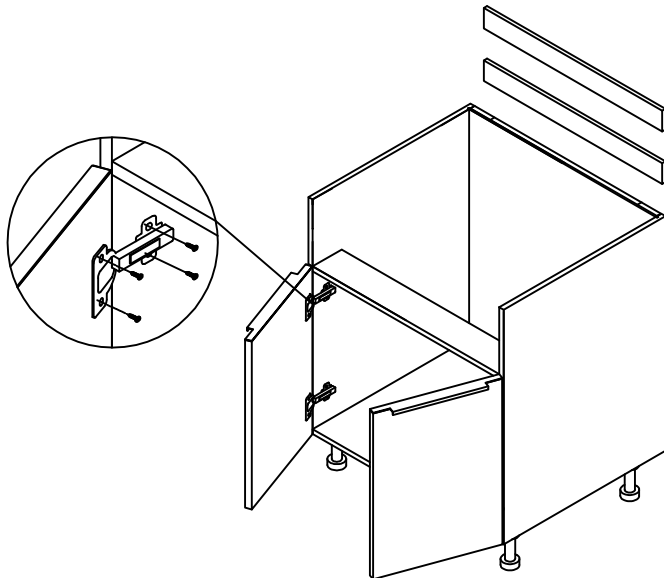
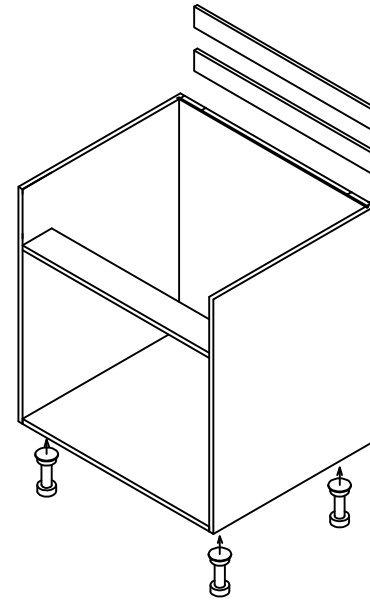
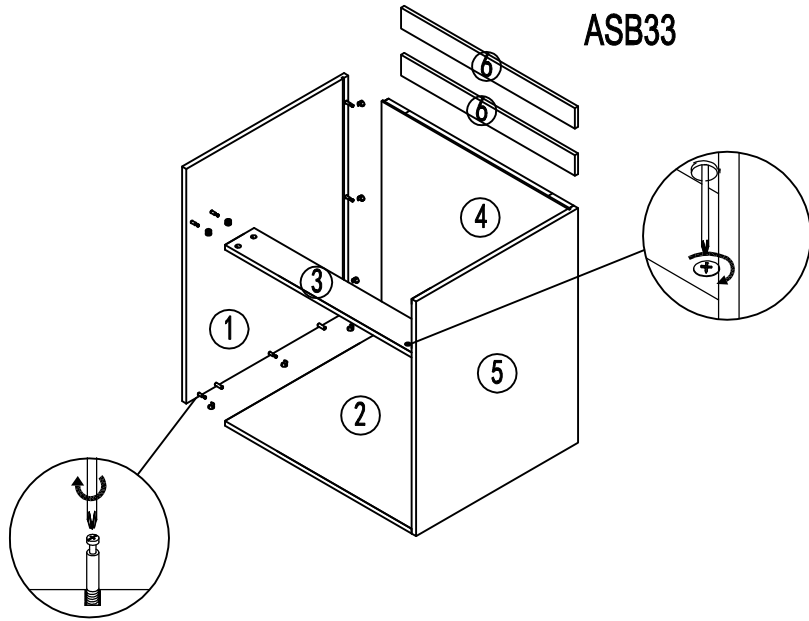
DCSB42



DCSB42					
PICTURE	ITEM	SPEC	QTY.		
	Hinge	45 angle hinges	2		
	Cam lock	Ø15*13	18		
	Cam lock screw	Ø8*35	18		
	Dowel	Ø8*35	10		
	ABS Leg	4 3/4" ± 3/4"	6		
	Shelf support	Ø5	6		
	Screw	3.5*35	10		
BOX					
Part	L	W	T	QTY.	
1	Bottom panel	41 1/8"	41 1/8"	3/4"	1
2	Back panel (Left)	35 1/8"	35 1/4"	3/4"	1
3	Back panel (Right)	35 1/8"	35 1/4"	3/4"	1
4	Back panel (Middle)	8 1/2"	35 1/4"	3/4"	1
5	Shelf	40 3/8"	40 3/8"	3/4"	1
6	Left panel	30"	23 7/8"	3/4"	1
7	Right panel	30"	23 7/8"	3/4"	1
8	Panel (Back)	16 1/8"	4 1/8"	3/4"	1
9	Panel (Front)	24 1/8"	4 1/8"	3/4"	1
				total 9	
DOOR					
10	Door	29 7/8"	22"	3/4"	1

ASSEMBLY INSTRUCTION

ASB33



ASB33

PICTURE	ITEM	SPEC	QTY.
	Hinge	Damper hinges	4
	Cam lock	Ø15*13	16
	Cam lock screw	Ø8*35	16
	Dowel	Ø8*35	4
	ABS Leg	4 3/4" ± 3/4"	4

BOX

Part	L	W	T	QTY.
1 Left panel	20"	23 7/8"	3/4"	1
2 Bottom panel	23 3/8"	31 1/2"	3/4"	1
3 Panel	31 1/2"	4 1/8"	3/4"	1
4 Back panel	19 3/8"	31 7/8"	7/8"	1
5 Right panel	20"	23 7/8"	3/4"	1
6 Panel2	31 1/2"	3"	3/4"	2
total 7				

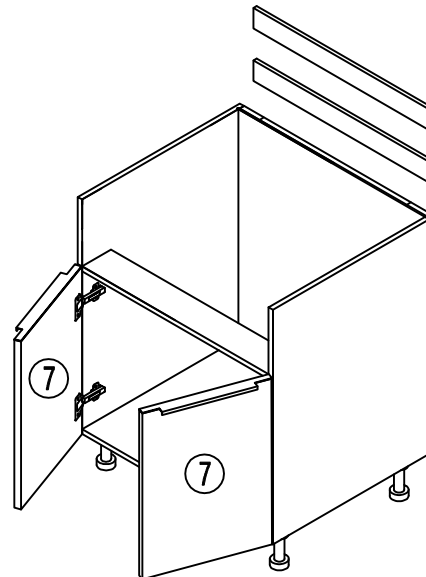
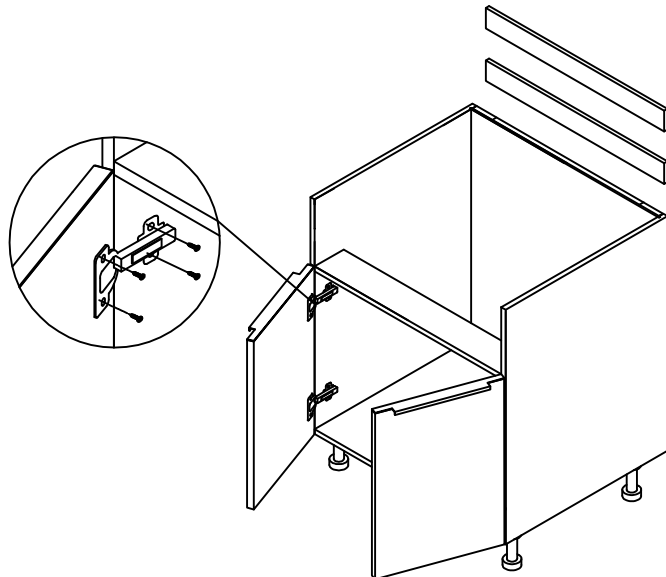
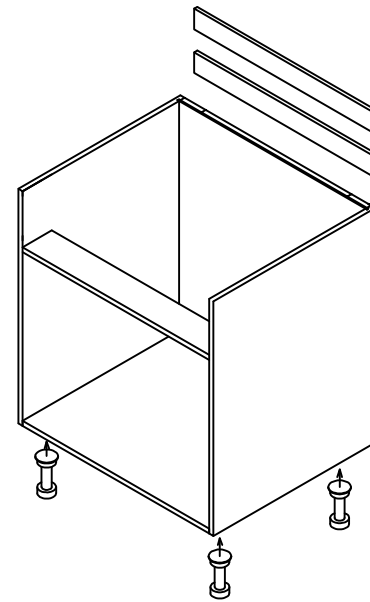
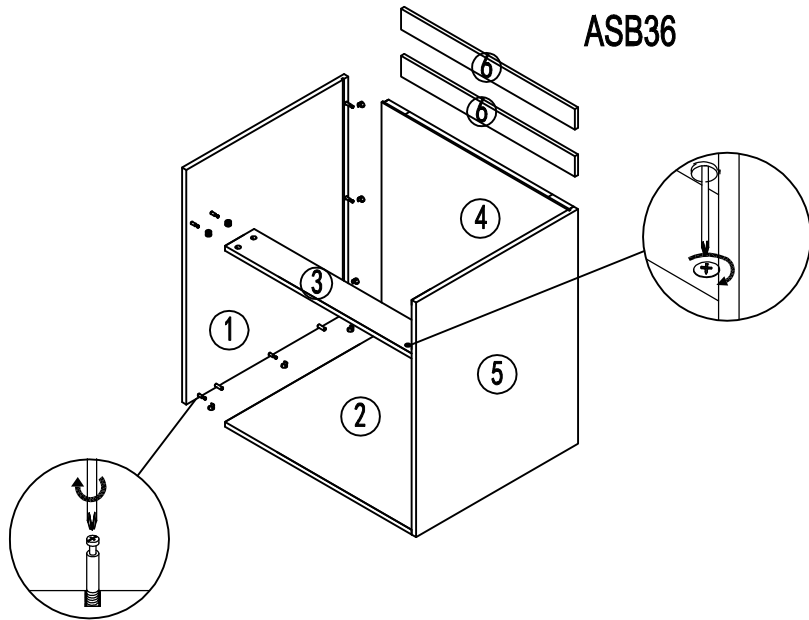
DOOR

7 Door	16 3/8"	19 7/8"	3/4"	2
--------	---------	---------	------	---

V 1.0

ASSEMBLY INSTRUCTION

ASB36



ASB36

PICTURE	ITEM	SPEC	QTY.
	Hinge	Damper hinges	4
	Cam lock	Ø15*13	16
	Cam lock screw	Ø8*35	16
	Dowel	Ø8*35	4
	ABS Leg	4 3/4" ± 3/4"	4

BOX

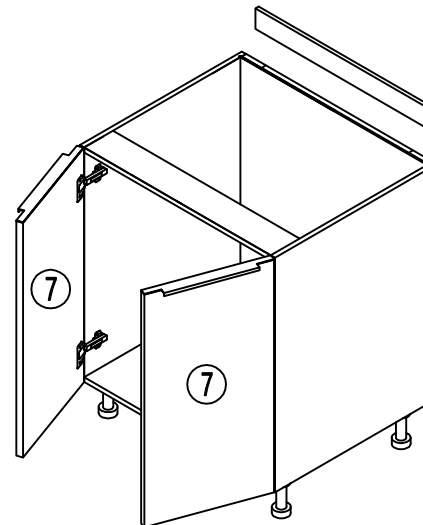
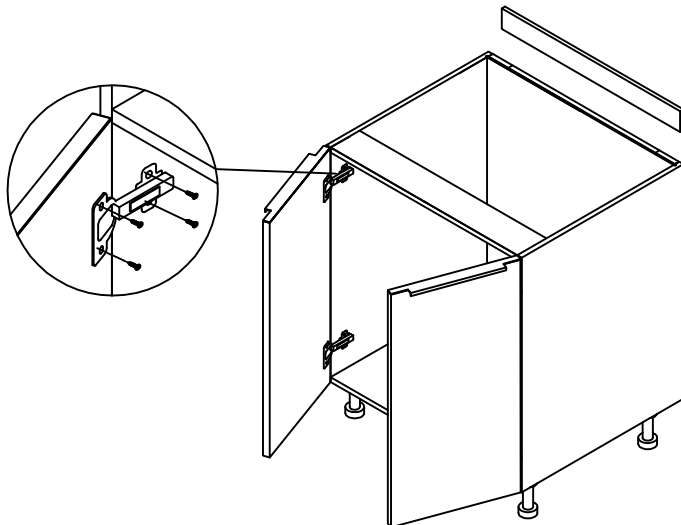
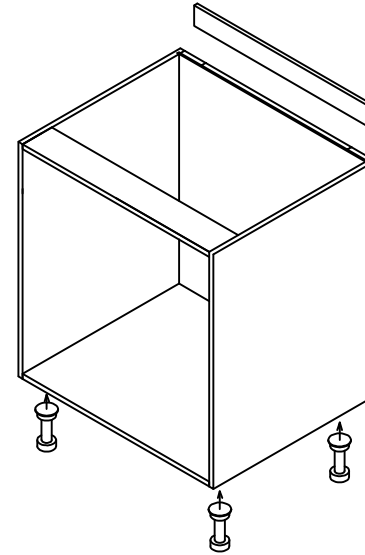
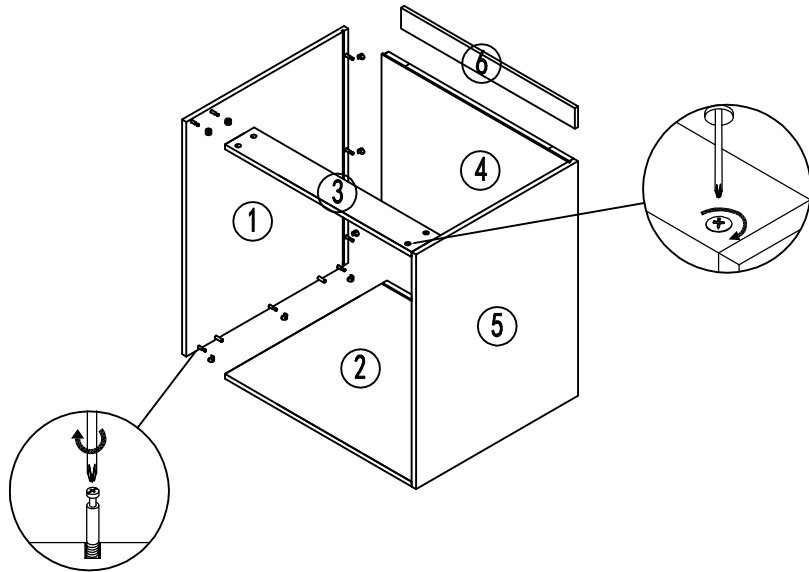
Part	L	W	T	QTY.
1 Left panel	20"	23 7/8"	3/4"	1
2 Bottom panel	23 3/8"	34 1/2"	3/4"	1
3 Panel	34 1/2"	4 1/8"	3/4"	1
4 Back panel	19 3/8"	34 7/8"	7/8"	1
5 Right panel	20"	23 7/8"	3/4"	1
6 Panel2	34 1/2"	3"	3/4"	2
				total 7

DOOR

7 Door	17 7/8"	19 7/8"	3/4"	2
--------	---------	---------	------	---

ASSEMBLY INSTRUCTION

FSB30



FSB30

PICTURE	ITEM	SPEC	QTY.
	Hinge	Damper hinges	4
	Cam lock	Ø15*13	14
	Cam lock screw	Ø8*35	14
	Dowel	Ø8*35	4
	ABS Leg	4 3/4" ± 3/4"	4

BOX

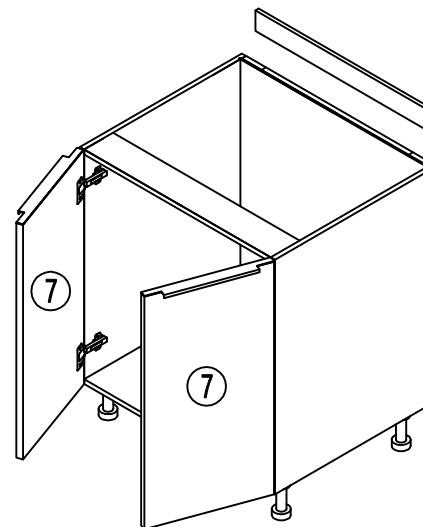
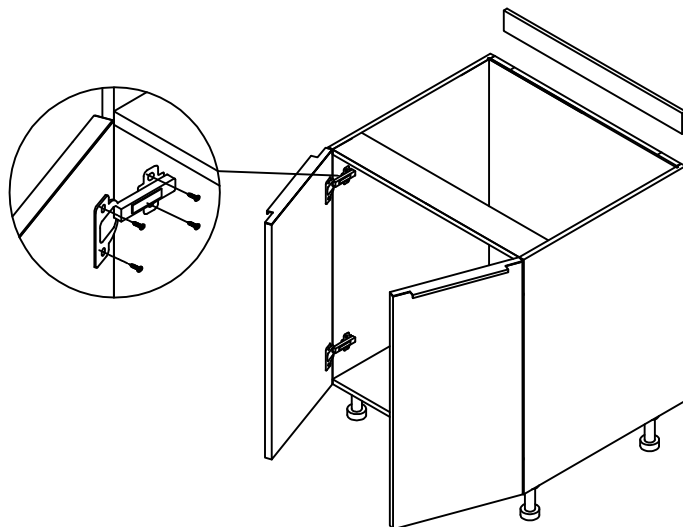
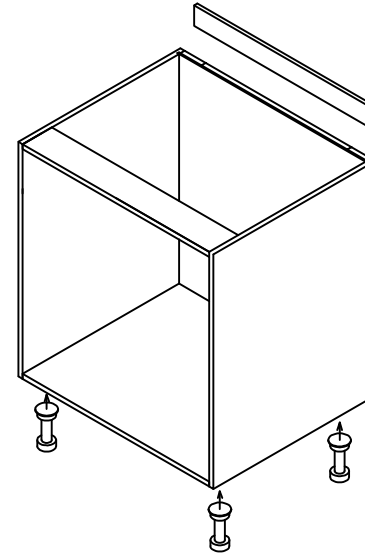
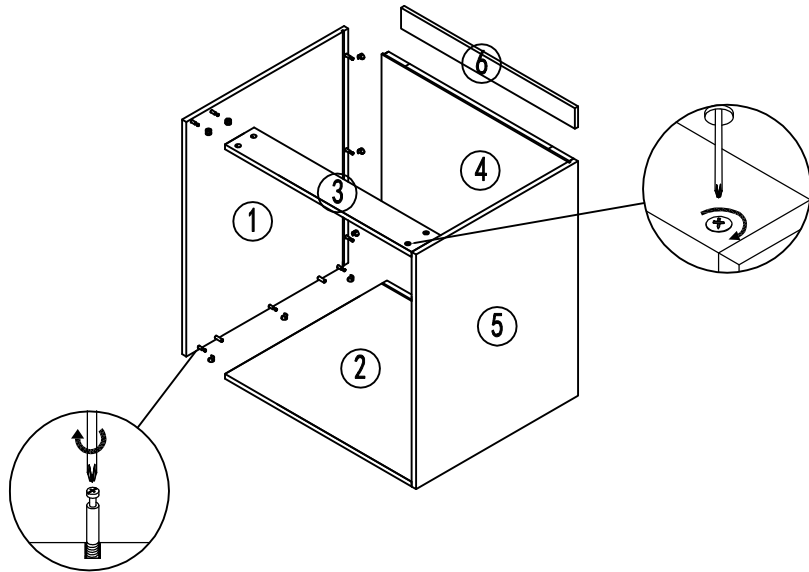
Part	L	W	T	QTY.
1 Left panel	20"	23 7/8"	3/4"	1
2 Bottom panel	23 3/8"	28 1/2"	3/4"	1
3 Panel1	28 1/2"	4 1/8"	3/4"	1
4 Back panel	19 3/8"	28 7/8"	7/8"	1
5 Right panel	20"	23 7/8"	3/4"	1
6 Panel2	30"	3 1/8"	3/4"	1
				total 6

DOOR

7 Door	14 7/8"	19 7/8"	3/4"	2
--------	---------	---------	------	---

ASSEMBLY INSTRUCTION

FSB33



FSB33

PICTURE	ITEM	SPEC	QTY.
	Hinge	Damper hinges	4
	Cam lock	Ø15*13	14
	Cam lock screw	Ø8*35	14
	Dowel	Ø8*35	4
	ABS Leg	4 3/4" ± 3/4"	4

BOX

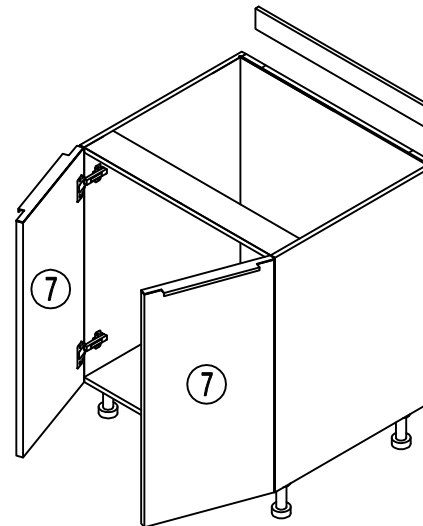
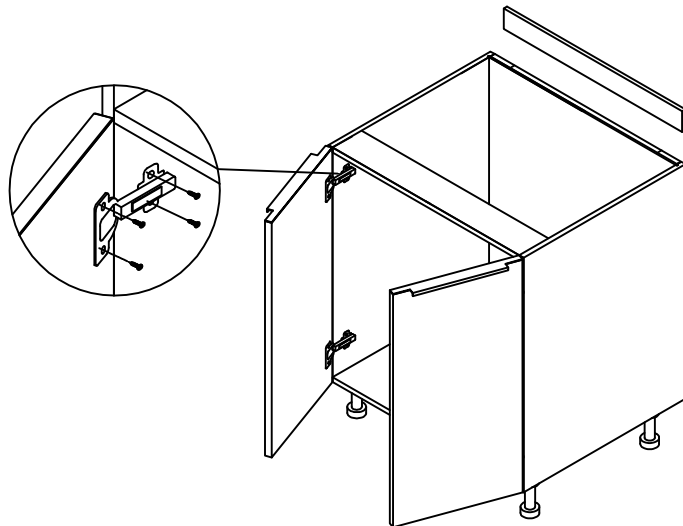
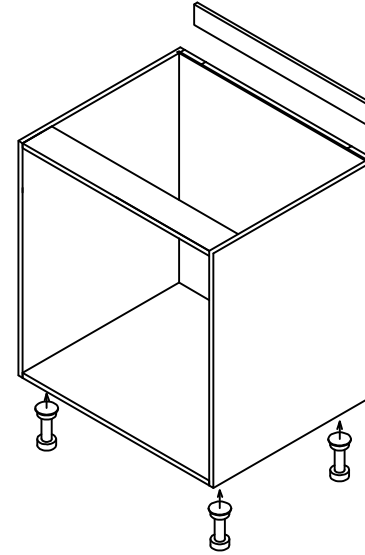
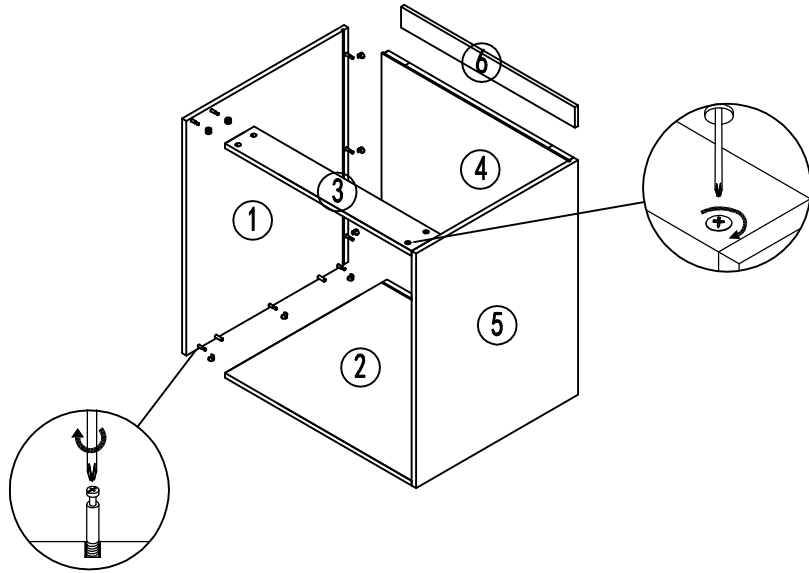
Part	L	W	T	QTY.
1 Left panel	20"	23 7/8"	3/4"	1
2 Bottom panel	23 3/8"	31 1/2"	3/4"	1
3 Panel	31 1/2"	4 1/8"	3/4"	1
4 Back panel	19 3/8"	31 7/8"	7/8"	1
5 Right panel	20"	23 7/8"	3/4"	1
6 Panel2	33"	3 1/8"	3/4"	1
				total 6

DOOR

7 Door	16 3/8"	19 7/8"	3/4"	2
--------	---------	---------	------	---

ASSEMBLY INSTRUCTION

FSB36



FSB36

PICTURE	ITEM	SPEC	QTY.
	Hinge	Damper hinges	4
	Cam lock	Ø15*13	14
	Cam lock screw	Ø8*35	14
	Dowel	Ø8*35	4
	ABS Leg	4 3/4" ± 3/4"	4

BOX

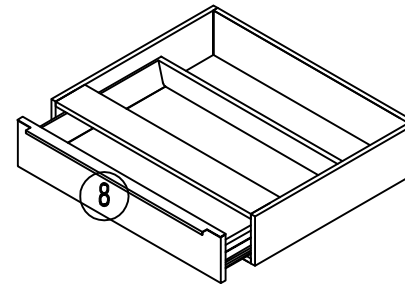
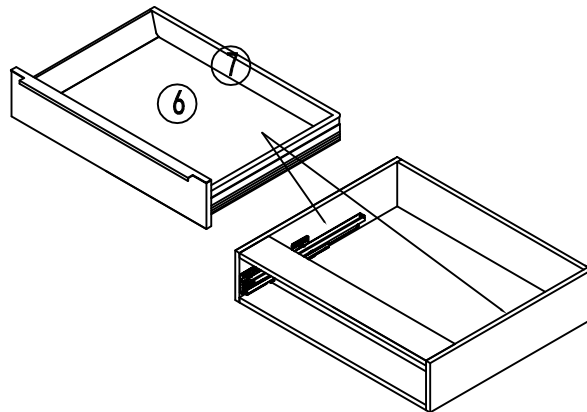
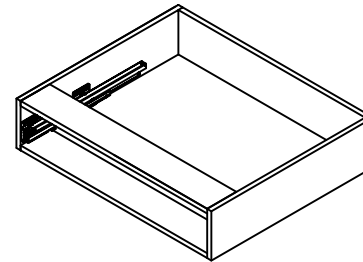
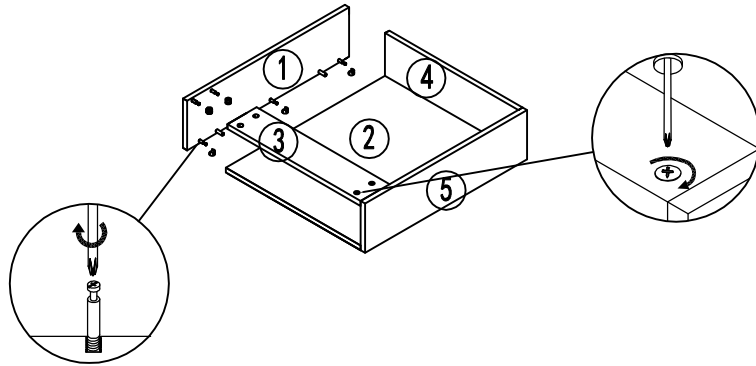
Part	L	W	T	QTY.
1 Left panel	20"	23 7/8"	3/4"	1
2 Bottom panel	23 3/8"	34 1/2"	3/4"	1
3 Panel	34 1/2"	4 1/8"	3/4"	1
4 Back panel	19 3/8"	34 7/8"	7/8"	1
5 Right panel	20"	23 7/8"	3/4"	1
6 Panel2	36"	3 1/8"	3/4"	1
				total 6

DOOR

7 Door	17 7/8"	19 7/8"	3/4"	2
--------	---------	---------	------	---

ASSEMBLY INSTRUCTION

VKD240621



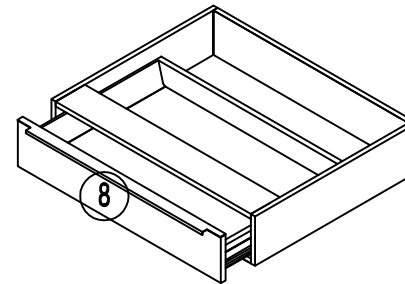
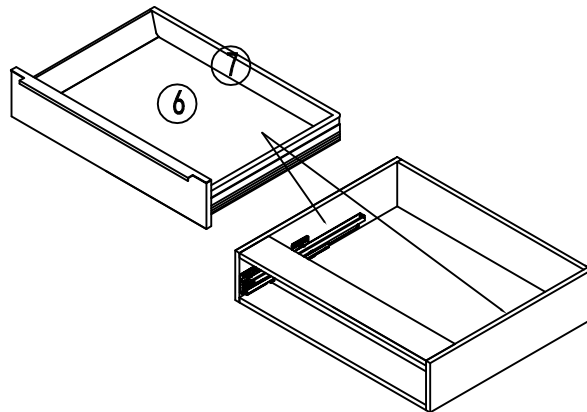
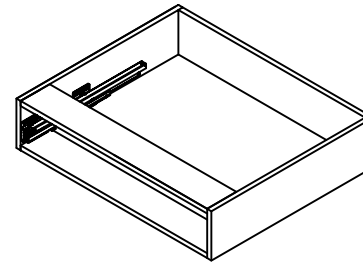
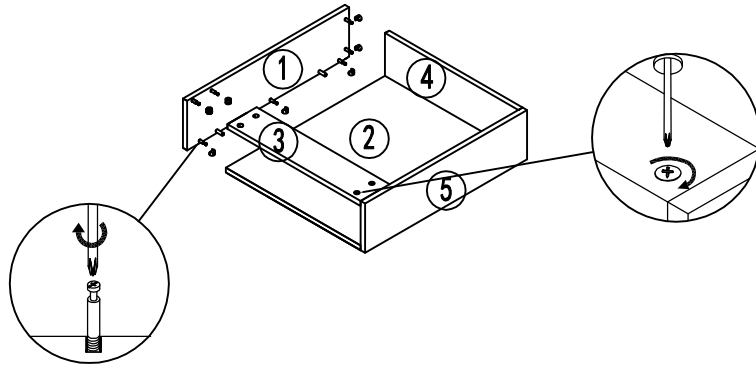
VKD240621

PICTURE	ITEM	SPEC	QTY.		
	Cam lock	Ø15*13	16		
	Cam lock screw	Ø8*35	16		
	Dowel	Ø8*35	4		
	Drawer slide (N)	Length=19 5/8"	1		
BOX					
Part	L	W	T	QTY.	
1	Left panel	21"	6"	3/4"	1
2	Bottom panel	21"	22 1/2"	3/4"	1
3	Panel	22 1/2"	4 1/8"	3/4"	1
4	Back panel	22 1/2"	5 1/4"	3/4"	1
5	Right panel	21"	6"	3/4"	1
6	Drawer bottom panel	18 3/4"	19 5/8"	5/8"	1
7	Drawer back panel	19 1/8"	3 1/4"	5/8"	1
total				7	
DOOR					
8	Door	23 7/8"	5 7/8"	3/4"	1

V 2.0

ASSEMBLY INSTRUCTION

VKD300621



VKD300621

PICTURE	ITEM	SPEC	QTY.		
	Cam lock	Ø15*13	16		
	Cam lock screw	Ø8*35	16		
	Dowel	Ø8*35	4		
	Drawer slide (N)	Length=19 5/8"	1		
BOX					
	Part	L	W	T	QTY.
1	Left panel	21"	6"	3/4"	1
2	Bottom panel	21"	28 1/2"	3/4"	1
3	Panel	28 1/2"	4 1/8"	3/4"	1
4	Back panel	28 1/2"	5 1/4"	3/4"	1
5	Right panel	21"	6"	3/4"	1
6	Drawer bottom panel	18 3/4"	25 5/8"	5/8"	1
7	Drawer back panel	25 1/8"	3 1/4"	5/8"	1
total 7					
DOOR					
8	Door	29 7/8"	5 7/8"	3/4"	1

V 2.0