

2023



USA2023MSRP-KC-V1



GoldenHome

Frameless Reinvented

GoldenHome Cabinetry Price & Spec Book



GoldenHome

Frameless Reinvented

GoldenHome Cabinetry Price & Spec Book

A World Leading Manufacturer in Kitchen Cabinetry Industry



- GoldenHome began manufacturing high quality kitchen and bath cabinetry in 1999. Today, the company has become one of world's leading cabinet makers. With more than 2,000 Franchise stores and dealerships across Asia, Australia, and the Americas. Millions of families worldwide enjoy the style and quality of cabinetry manufactured by GoldenHome.
- GoldenHome has a strong record of growth. This success can be attributed to the high quality of our products, finishes, and the global partnerships of our supply chain. These strong partnerships allow us to select environmentally friendly materials and ensure premium quality. State of the art automated manufacturing equipment, including German Lacquer techniques, combined with recognized Industry experts give GoldenHome precise manufacturing, outstanding finishes, and modern fashion forward designs. Each one of our European style frameless designs has been reinvented for modern luxury and simplicity.
- In 2017 GoldenHome proudly announced the Grand Opening of its first 2 Distribution Centers in the US; the Western Distribution Center in California and the Eastern Distribution Center in New Jersey. With major expansion plans across the US and Canada, GoldenHome steadily developed Distribution Centers with our partners in major metropolitan areas including Los Angeles, CA; Miami, FL; Houston, TX; San Jose, CA; Seattle, WA; Phoenix, AZ; Honolulu, HI; Austin, TX; Boston, MA; Las Vegas, NV and also in Toronto and Vancouver, Canada; San Pedro Sula, Honduras. GoldenHome will continue its growth and expansion plans at an accelerated pace throughout 2022, opening additional distribution centers across the metropolitan areas in North America. This expansion will allow GoldenHome to extend its reach to more North American families, and firmly establish the GoldenHome brand offering elegant, high-quality modern cabinetry at affordable prices to more families.





Classic

3/4" (18mm) thick MFC board, with melamine laminate on both sides, and ABS banding of matching color on all edges.



Dark Wood Brown Oak(S) Pale Pine Fabric Gray Blanca Wood



Deluxe

3/4" (18mm) inch thick MFC board, with melamine laminate on both sides, and ABS banding of matching color on all edges.



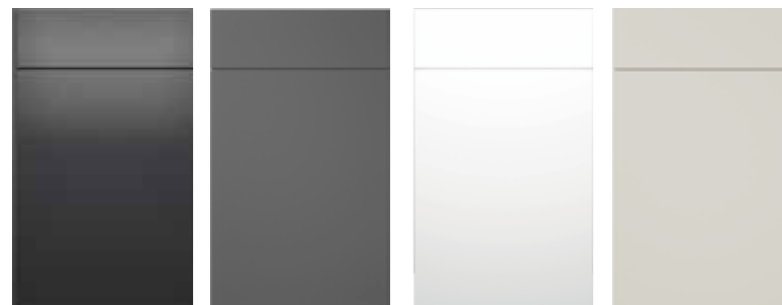
Rustic Oak Rustic Gray Walnut Concrete Natural Oak





Delight

3/4" (19mm) thick MDF board, with PET laminate on the exterior and melamine laminate on the interior, ABS banding of matching color on all edges.



Glossy Gray

Matte Gray

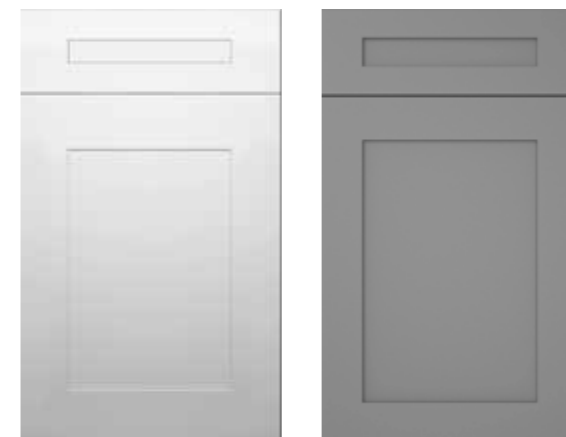
Glossy White

Glossy Ash



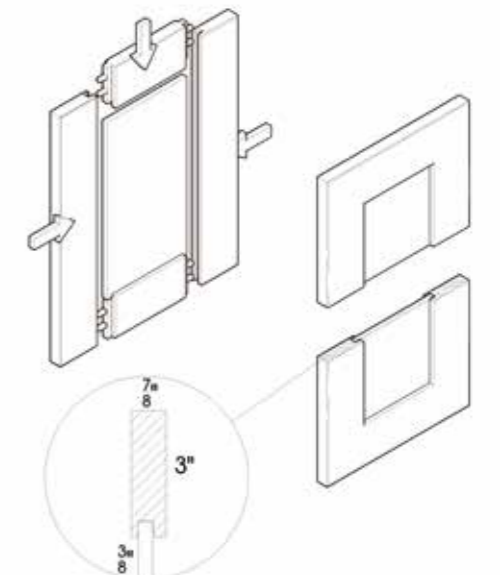
Delight

5 piece shaker door with 3" stiles & rails, and 3/8" panel. (2" rails are applied for insufficient height drawer fronts)
MDF cored, water based PU paint of matte finish on both sides.



White Shaker

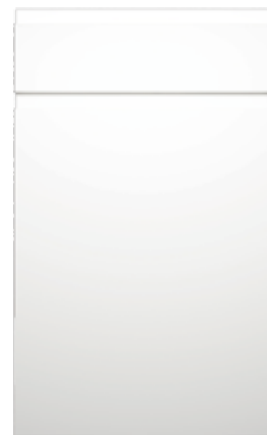
Gray Shaker





Luxury

7/8" (21mm) thick MDF board, with lacquer finish on the front and all edges, melamine laminate on the back. J-shape milled handle design.



Lacquer White



Door Style



C3

Others

C-series
More than luxury



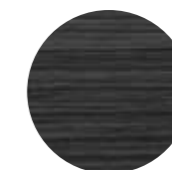
C3



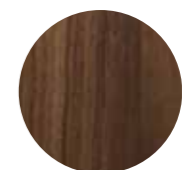
CBW



CGW



CDW



CWT

Material Facts

Side Panel, Shelving, and Bottom Panel

3/4" (18mm) plywood board with creamy white color melamine laminate on both sides and PVC edge banding of matching color.

Drawer Panel

Drawer bottom & back panel apply 5/8" (16mm) plywood board, with creamy white color melamine laminate on both sides and PVC edge banding of matching color.

Back Panel

Top & bottom rail of 3/4"(18mm) plywood, 1/4"(6mm) MDF cored .

Drawer Hardware

Full-extension soft-close drawer glides of 500mm glide length.

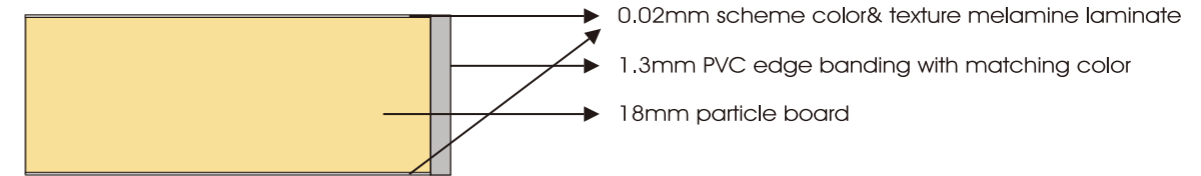
Hinge Hardware

Adjustable 110° degree opening soft close*hinges, easy to install.

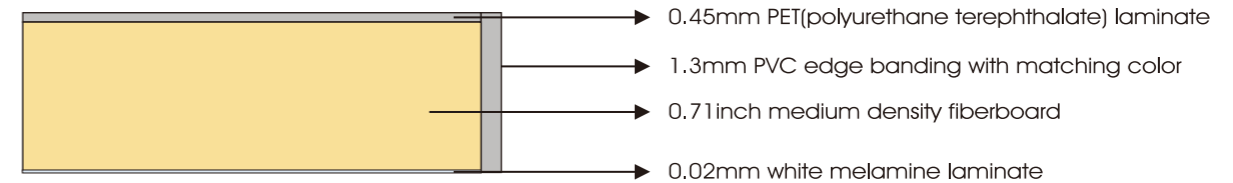
Adjustable Leg

Adjustable leg height ranges from 4 1/2" to 5 1/2". suitable for aluminum alloy toe-kick and matching door panel toe-kick.

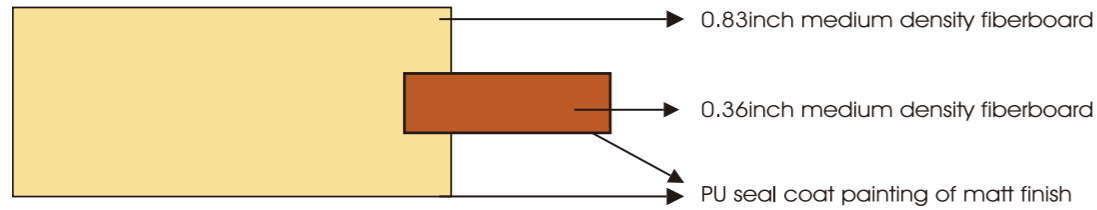
*Not applicable to non-standard hinges



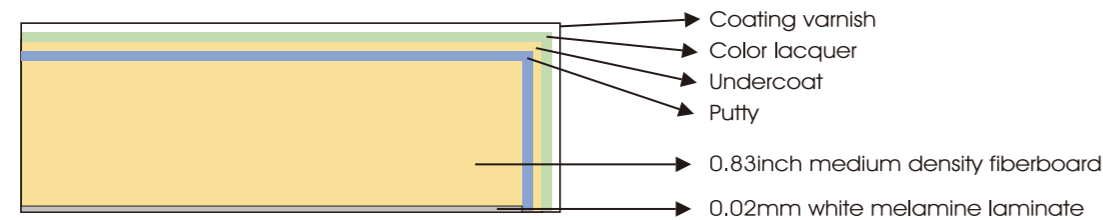
| Product Specification — Classic Series & Deluxe Series Doors | |
|--|---|
| Core material | EPA title VI compliant particle board |
| Coating finish | 0.02mm melamine laminate |
| Back finish | |
| Edge banding | 1.3mm PVC edge banding with matching color & texture |
| Features | Environment friendly material Significant cost advantage. Vivid wood texture & color. Never fading, no color difference between any doors. |



| Product Specification — PET doors (GW, GA, GG) | |
|--|--|
| Core material | EPA title VI compliant medium density fiberboard |
| Coating finish | 0.45mm PET(polyurethane terephthalate) laminate |
| Back finish | 0.02mm white melamine laminate |
| Edge banding | 1.3mm PVC edge banding with matching color |
| Features | Moisture resistance, acid and alkali tolerance. High glossy & vivid color finish. Easy to clean Antibacterial, safe for direct food contact. Never fading, no color difference between any doors. |



| Product Specification — Shaker Doors (WSK, GSK, BSK) | |
|--|---|
| Door Frame | EPA title VI compliant medium density fiberboard |
| Door Center | EPA title VI compliant medium density fiberboard |
| Connecting Structure | Stiles and rails connected with tenon and dowels |
| Coating Finish | PU (polyurethane) seal coat painting, matte finish |
| Features | Historically popular door style. Suitable for contemporary, transitional interior design. Seal coat painting brings durable quality. Better bending resistance results from the stability of MDF physical properties |

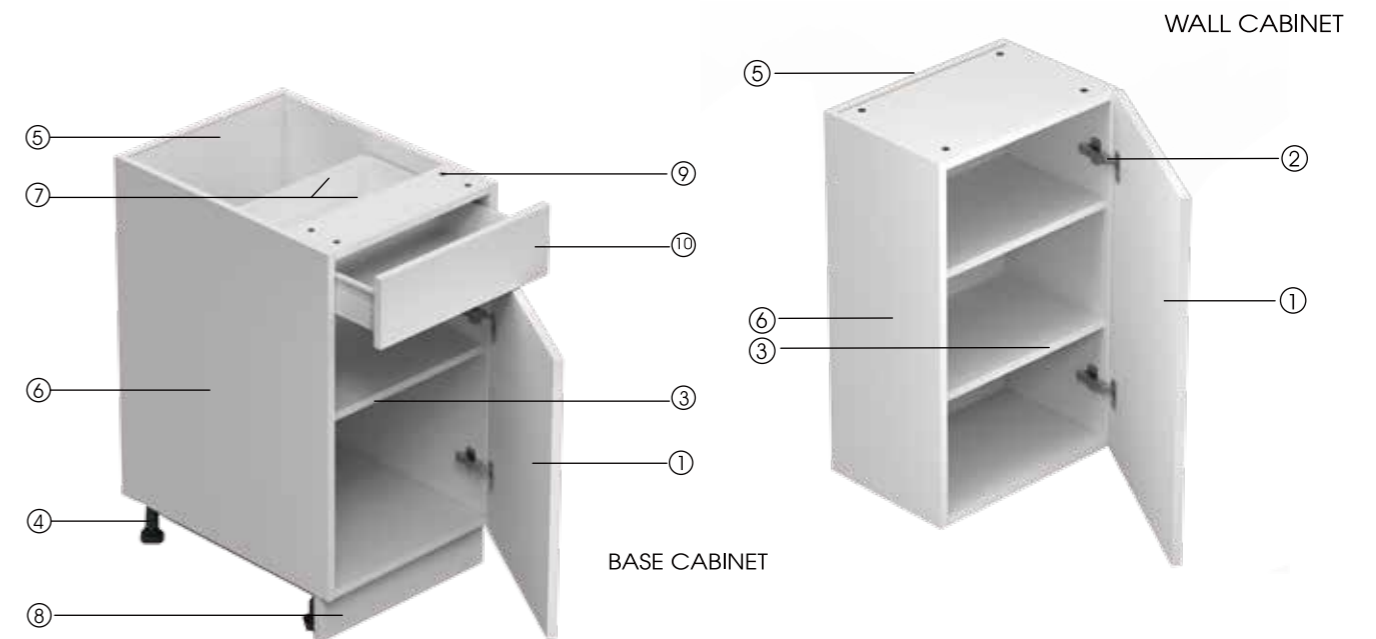


| Product Specification — Luxury Doors (Lacquer Finish) | |
|---|--|
| Core material | EPA title VI compliant medium density fiberboard |
| Coating finish | 0.15mm of lacquer finish |
| Back finish | 0.02mm white melamine laminate |
| Features | 4 layers of lacquer finish with 22 processes of manufacture. High glossy lacquer finish, free from edge bandings. Unique J shaped handle design. Easy to clean & maintain |

GoldenHome is built to last. It is manufactured to precise standards using all Plywood Construction. All hinges and drawer glides are fully adjustable and utilize soft close technology for a Luxury look and feel.

Cabinet Structure

- ① Door Panel
- ② Adjustable soft-close hinge
- ③ 3/4"(18mm) melamine laminated plywood shelf
- ④ Adjustable Legs
- ⑤ 6mm back panel with top and bottom enforced rail
- ⑥ 3/4"(18mm) plywood side panels
- ⑦ 5/8"(16mm) melamine laminated plywood bottom panel & back panel of the drawer
- ⑧ Toe-kick of aluminum or matching door material
- ⑨ Easy-to-Install cam-lock system with dowels for extra strength
- ⑩ Full-access soft-close adjustable drawer system



Limited Warranty Policy

2 Year Residential / 1 Year Commercial

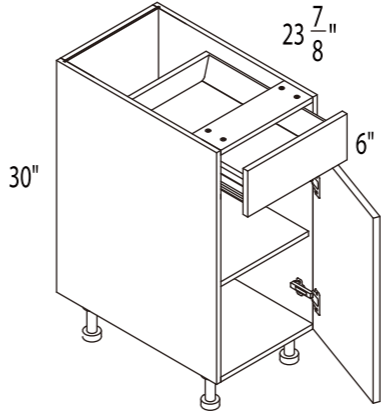
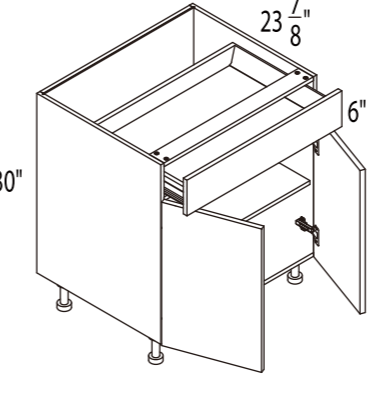
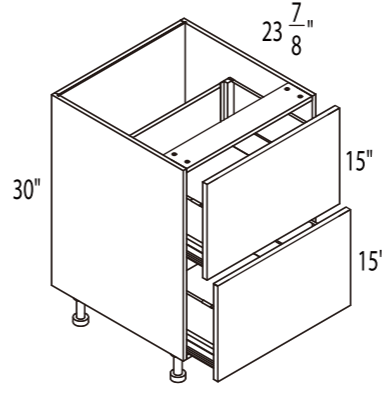
GoldenHome warrants that its Cabinets and Parts should be free of substantial defects in materials and workmanship for a period of 2 years following the acquisition date for Residential Customers and a period of 1 year following the acquisition date for Commercial Customers. The warranty period begins on the Purchase Date.

This Limited Warranty applies to Domestic use only and covers defects in materials and workmanship. Labor and shipping are not included. Indoor Use Only. All warranty actions are through the original Dealer where purchased. If that dealer is no longer in business with GoldenHome, another dealer will be assigned.

In the event of an issue, GoldenHome will examine the product and at its sole discretion will determine if the warranty applies. If the product is no longer available, GoldenHome will substitute a similar product. Color match is not guaranteed as all cabinets will change over time.

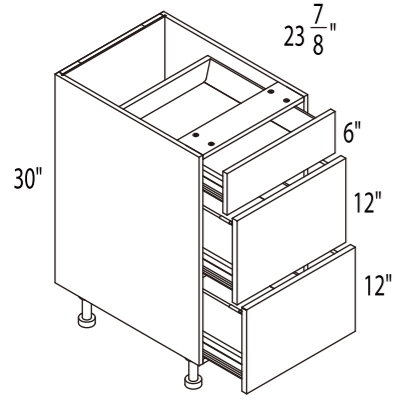
Please follow all Assembly, Installation, and Care Instructions. This warranty does not cover normal wear and tear, water damage, outdoor use, or damage from misuse or abuse. The original Proof of Purchase receipt is required. Please contact original dealer or our Website, www.goldenhomekitchen.com for more information.

Kitchen Cabinet MSRP List

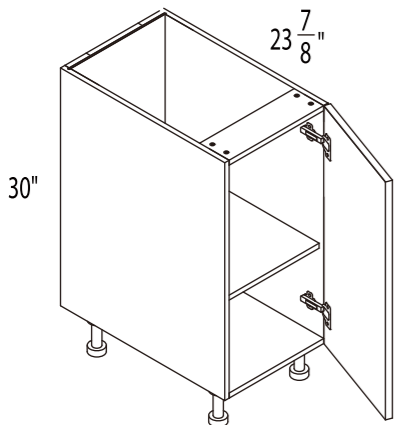
| Base Cabinet | ITEM | BOX | Classic | Deluxe | Delight | Luxury |
|---|--------|-----|---------|--------|---------|--------|
|  | B12 | 422 | 47 | 67 | 85 | 140 |
| | B15 | 447 | 55 | 79 | 104 | 173 |
| | B18 | 472 | 63 | 93 | 121 | 205 |
| | BTC18 | 472 | 63 | 93 | 121 | 205 |
| | B21 | 498 | 70 | 106 | 139 | 235 |
| | B24 | 544 | 85 | 127 | 163 | 275 |
| <p>*One drawer one door style *6" height drawer and 24" height door *Drawer hardware price is included in BOX price *Price of trash can hardware is excluded</p> | | | | | | |
| Base Cabinet | ITEM | BOX | Classic | Deluxe | Delight | Luxury |
|  | B24DD | 544 | 85 | 127 | 163 | 275 |
| | B27 | 568 | 93 | 139 | 182 | 306 |
| | B30 | 593 | 101 | 153 | 199 | 337 |
| | B33 | 616 | 109 | 166 | 217 | 368 |
| | B36 | 642 | 117 | 179 | 235 | 400 |
| | B39 | 668 | 127 | 192 | 255 | 432 |
| B42 | 693 | 132 | 206 | 270 | 463 | |
| <p>*One drawer double doors style *6" height drawer and 24" height doors *Drawer hardware price is included in BOX price</p> | | | | | | |
| 2-Drawers Base Cabinet | ITEM | BOX | Classic | Deluxe | Delight | Luxury |
|  | DB12-2 | 550 | 47 | 67 | 85 | 140 |
| | DB15-2 | 576 | 55 | 79 | 104 | 173 |
| | DB18-2 | 603 | 63 | 93 | 121 | 205 |
| | DB21-2 | 628 | 70 | 106 | 139 | 235 |
| | DB24-2 | 652 | 78 | 120 | 156 | 267 |
| | DB27-2 | 679 | 86 | 132 | 175 | 298 |
| | DB30-2 | 704 | 94 | 146 | 192 | 330 |
| | DB33-2 | 730 | 104 | 159 | 210 | 361 |
| | DB36-2 | 756 | 112 | 173 | 228 | 393 |
| <p>*Two equal height drawers style (15") *Drawer hardware price is included in BOX price *Drawer hardware is separately packed</p> | | | | | | |

*Not all available items are shown in the list

Kitchen Cabinet MSRP List

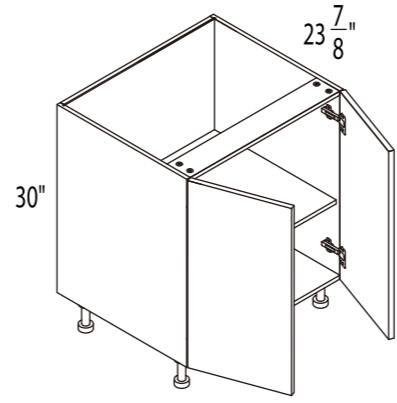
| 3-Drawers Base Cabinet | ITEM | BOX | Classic | Deluxe | Delight | Luxury |
|---|--------|-----|---------|--------|---------|--------|
|  | DB12-3 | 693 | 53 | 74 | 92 | 147 |
| | DB15-3 | 727 | 61 | 86 | 110 | 179 |
| | DB18-3 | 760 | 69 | 100 | 128 | 210 |
| | DB21-3 | 791 | 77 | 113 | 146 | 243 |
| | DB24-3 | 825 | 85 | 127 | 163 | 275 |
| | DB27-3 | 858 | 93 | 139 | 182 | 306 |
| | DB30-3 | 889 | 101 | 153 | 199 | 337 |
| | DB33-3 | 922 | 109 | 166 | 217 | 368 |
| | DB36-3 | 955 | 117 | 179 | 235 | 400 |

*6", 12" & 12" height drawers segmented from top
 *Drawer hardware price is included in BOX price
 *Drawer hardware is separately packed

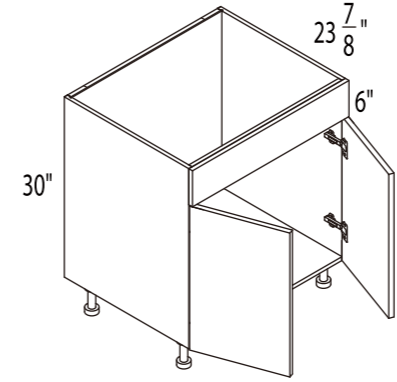
| Base Full Door Cabinet | ITEM | BOX | Classic | Deluxe | Delight | Luxury |
|---|-------|-----|---------|--------|---------|--------|
|  | B09FD | 259 | 31 | 47 | 60 | 102 |
| | B12FD | 275 | 40 | 60 | 78 | 135 |
| | B15FD | 293 | 48 | 74 | 95 | 166 |
| | B18FD | 311 | 56 | 86 | 114 | 198 |
| | B21FD | 328 | 64 | 100 | 131 | 229 |
| | B24FD | 367 | 78 | 120 | 156 | 267 |

*Full height one door style

Kitchen Cabinet MSRP List

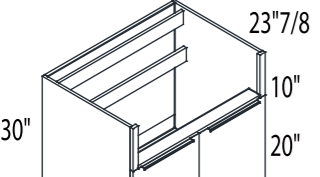
| Base Full Door Cabinet | ITEM | BOX | Classic | Deluxe | Delight | Luxury |
|---|--------|-----|---------|--------|---------|--------|
|  | B24FDD | 367 | 78 | 120 | 156 | 267 |
| | B27FD | 384 | 86 | 132 | 175 | 298 |
| | B30FD | 403 | 94 | 146 | 192 | 330 |
| | B33FD | 420 | 104 | 159 | 210 | 361 |
| | B36FD | 437 | 112 | 173 | 228 | 393 |
| | B42FD | 474 | 127 | 198 | 263 | 457 |

*Full height double doors style

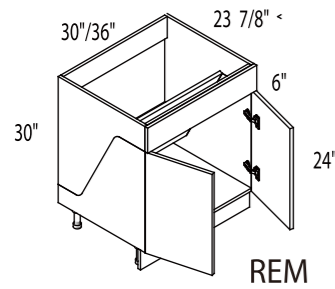
| Sink Base Cabinet | ITEM | BOX | Classic | Deluxe | Delight | Luxury |
|---|------|-----|---------|--------|---------|--------|
|  | SB30 | 330 | 101 | 153 | 199 | 337 |
| | SB33 | 340 | 109 | 166 | 217 | 368 |
| | SB36 | 351 | 117 | 179 | 235 | 400 |
| | SB39 | 385 | 127 | 192 | 255 | 432 |
| | SB42 | 373 | 132 | 206 | 270 | 463 |

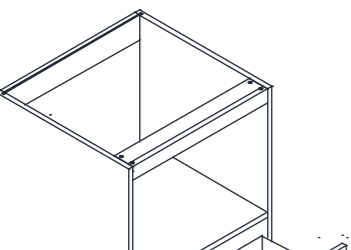
*6" height dummy drawer panel on top
 *Double doors style

Kitchen Cabinet MSRP List

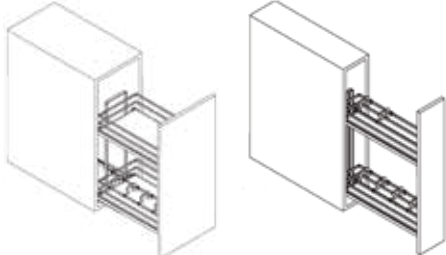
| Special Sink Base Cabinet | ITEM | BOX | Classic | Deluxe | Delight | Luxury |
|--|-------|-----|---------|--------|---------|--------|
|  ASB | ASB33 | 428 | 85 | 104 | 163 | 275 |
| | ASB36 | 444 | 91 | 110 | 175 | 294 |
| | REM30 | 580 | 95 | 140 | 187 | 308 |
| | REM36 | 619 | 110 | 164 | 221 | 366 |

* ASB is for Apron Sink appliance
 *REM cabinet has removable design and is ADA(Americans with Disabilities Act) compliant appliances



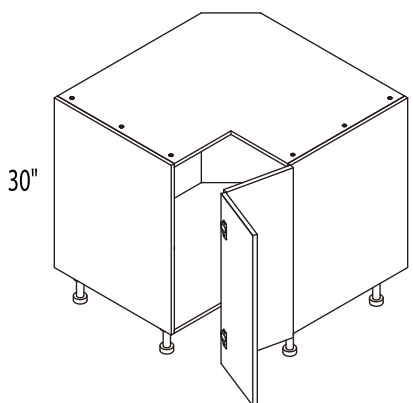
| Base Microwave Cabinet | ITEM | BOX | Classic | Deluxe | Delight | Luxury |
|---|-------|-----|---------|--------|---------|--------|
|  | BMC24 | 518 | 47 | 67 | 85 | 147 |
| | BMC27 | 545 | 51 | 74 | 94 | 163 |
| | BMC30 | 572 | 55 | 79 | 104 | 179 |
| | BMC33 | 599 | 59 | 86 | 112 | 196 |
| | BMC36 | 626 | 63 | 93 | 121 | 210 |

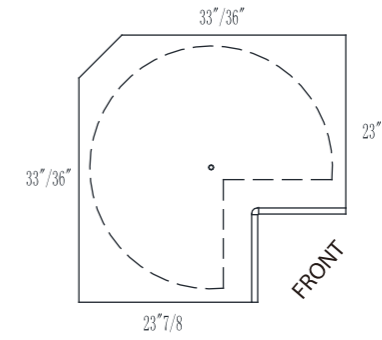
*Appliance space height=16"
 *12" height drawer on the bottom

| Base Spice Rack Cabinet | ITEM | BOX | Classic | Deluxe | Delight | Luxury |
|---|--------|-----|---------|--------|---------|--------|
|  | BSR06N | 515 | 23 | 33 | 43 | 70 |
| | BSR09N | 551 | 31 | 47 | 60 | 102 |

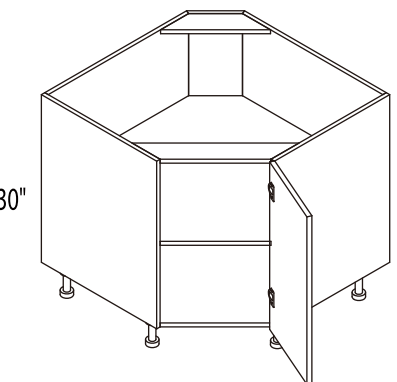
*Hardware is preassembled with box
 *Price of hardware is included

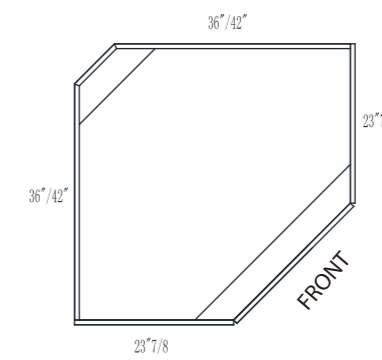
Kitchen Cabinet MSRP List

| Base Easy Reach/Lazy Susan Cabinet | ITEM | BOX | Classic | Deluxe | Delight | Luxury |
|---|-------|-----|---------|--------|---------|--------|
|  | BER33 | 735 | 63 | 93 | 121 | 205 |
| | BER36 | 791 | 78 | 120 | 156 | 267 |

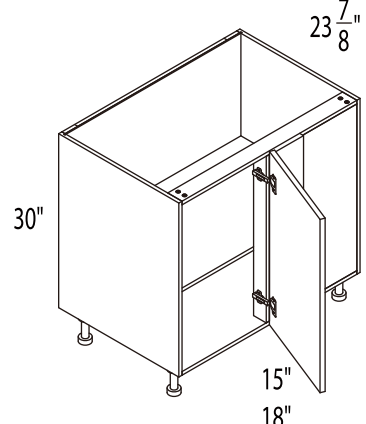


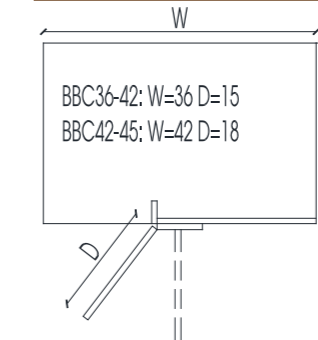
*Price of Lazy Susan hardware is excluded
 *Hinge open angle is 155°(box-door)and 270°(door-door)
 *Not soft closing

| Diagonal Sink Base Cabinet | ITEM | BOX | Classic | Deluxe | Delight | Luxury |
|--|--------|-----|---------|--------|---------|--------|
|  | DCSB36 | 730 | 56 | 86 | 114 | 198 |
| | DCSB42 | 877 | 82 | 123 | 162 | 278 |



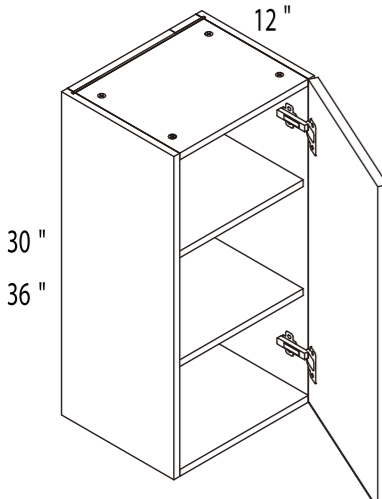
*Hinge open angle=45°
 *Not soft-closing

| Base Blind Corner Cabinet | ITEM | BOX | Classic | Deluxe | Delight | Luxury |
|---|-----------|-----|---------|--------|---------|--------|
|  | BBC36-42 | 508 | 74 | 110 | 145 | 246 |
| | BBC42-45N | 537 | 82 | 123 | 162 | 278 |

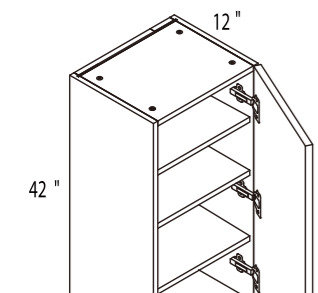


*36" width cabinet applies 15" width door
 *42" width cabinet applies 18" width door
 *Cabinet box is L/R reversible

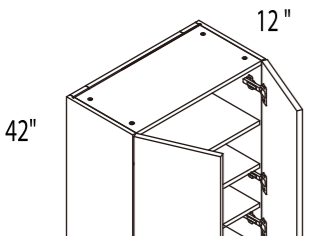
Kitchen Cabinet MSRP List

| Wall cabinet-30"H & 36"H | ITEM | BOX | Classic | Deluxe | Delight | Luxury |
|---|-------|-----|---------|--------|---------|--------|
|  | W0930 | 199 | 31 | 47 | 60 | 102 |
| | W1230 | 216 | 40 | 60 | 78 | 135 |
| | W1530 | 233 | 48 | 74 | 95 | 166 |
| | W1830 | 251 | 56 | 86 | 114 | 198 |
| | W2130 | 268 | 64 | 100 | 131 | 229 |
| | W2430 | 307 | 78 | 120 | 156 | 267 |
| | W0936 | 217 | 37 | 55 | 72 | 121 |
| | W1236 | 235 | 46 | 70 | 93 | 159 |
| | W1536 | 252 | 56 | 86 | 114 | 198 |
| | W1836 | 270 | 66 | 102 | 137 | 235 |
| | W2136 | 289 | 75 | 118 | 156 | 273 |
| | W2436 | 329 | 92 | 140 | 185 | 317 |

*One door style
 *30" and 36" height cabinets have 2 adjustable shelves

| Wall Cabinet-42"H | ITEM | BOX | Classic | Deluxe | Delight | Luxury |
|---|-------|-----|---------|--------|---------|--------|
|  | W0942 | 258 | 41 | 63 | 83 | 140 |
| | W1242 | 278 | 52 | 82 | 108 | 184 |
| | W1542 | 299 | 64 | 100 | 131 | 229 |
| | W1842 | 321 | 75 | 118 | 156 | 273 |
| | W2142 | 343 | 86 | 137 | 182 | 317 |
| | W2442 | 399 | 105 | 162 | 214 | 368 |

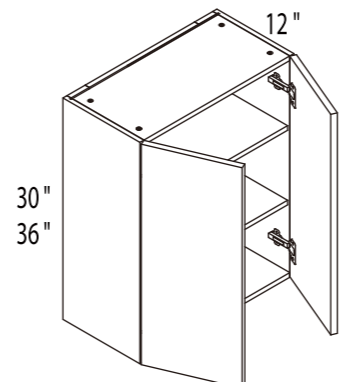
*One door style
 *42" height cabinets have 3 adjustable shelves

| Wall Cabinet-42"H | ITEM | BOX | Classic | Deluxe | Delight | Luxury |
|---|---------|-----|---------|--------|---------|--------|
|  | W2442DD | 399 | 105 | 162 | 214 | 368 |
| | W2742 | 420 | 116 | 181 | 238 | 413 |
| | W3042 | 440 | 127 | 198 | 263 | 457 |
| | W3342 | 463 | 138 | 217 | 289 | 501 |
| | W3642 | 484 | 150 | 235 | 314 | 545 |

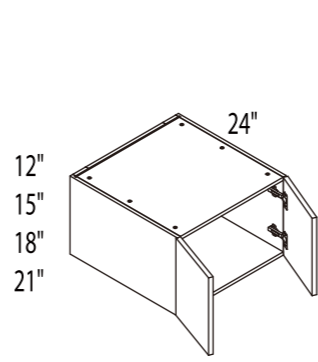
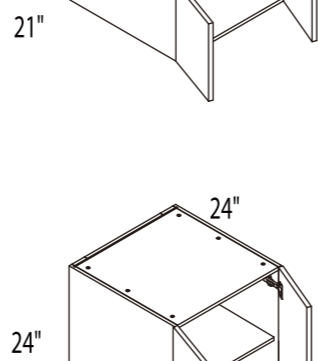
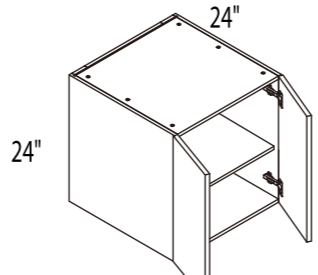
*Double doors style
 *42" height cabinets have 3 adjustable shelves

*Not all available items are shown in the list

Kitchen Cabinet MSRP List

| Wall Cabinet-30"H & 36"H | ITEM | BOX | Classic | Deluxe | Delight | Luxury |
|---|---------|-----|---------|--------|---------|--------|
|  | W2430DD | 307 | 78 | 120 | 156 | 267 |
| | W2730 | 324 | 86 | 132 | 175 | 298 |
| | W3030 | 343 | 94 | 146 | 192 | 330 |
| | W3330 | 359 | 104 | 159 | 210 | 361 |
| | W3630 | 377 | 112 | 173 | 228 | 393 |
| | W2436DD | 329 | 92 | 140 | 185 | 317 |
| | W2736 | 347 | 101 | 156 | 207 | 357 |
| | W3036 | 365 | 112 | 173 | 228 | 393 |
| | W3336 | 383 | 121 | 189 | 250 | 431 |
| | W3636 | 400 | 130 | 205 | 271 | 470 |

*Double doors style
 *30" and 36" height cabinets have 2 adjustable shelves

| Wall Cabinet-24" Depth | ITEM | BOX | Classic | Deluxe | Delight | Luxury |
|---|---------|-----|---------|--------|---------|--------|
|  | W301224 | 302 | 47 | 67 | 85 | 140 |
| | W301524 | 321 | 55 | 79 | 104 | 173 |
| | W301824 | 338 | 63 | 93 | 121 | 205 |
| | W302124 | 357 | 70 | 106 | 139 | 235 |
| | W302424 | 437 | 78 | 120 | 156 | 267 |
|  | W331224 | 320 | 49 | 72 | 92 | 153 |
| | W331524 | 337 | 59 | 86 | 112 | 189 |
| | W331824 | 355 | 67 | 101 | 131 | 223 |
| | W332124 | 374 | 76 | 116 | 152 | 258 |
| | W332424 | 461 | 85 | 130 | 171 | 293 |
|  | W361224 | 335 | 52 | 77 | 100 | 166 |
| | W361524 | 352 | 63 | 93 | 121 | 205 |
| | W361824 | 370 | 72 | 109 | 143 | 243 |
| | W362124 | 390 | 82 | 125 | 163 | 279 |
| | W362424 | 483 | 92 | 140 | 185 | 317 |

*Double doors style
 *24" height cabinets have one shelf

*Not all available items are shown in the list

Kitchen Cabinet MSRP List

| Wall Cabinet-12"H,15"H,18"H,21"H & 24"H | ITEM | BOX | Classic | Deluxe | Delight | Luxury |
|---|-------|-----|---------|--------|---------|--------|
| | W3012 | 212 | 47 | 67 | 85 | 140 |
| | W3015 | 223 | 55 | 79 | 104 | 173 |
| | W3018 | 233 | 63 | 93 | 121 | 205 |
| | W3021 | 245 | 70 | 106 | 139 | 235 |
| | W3024 | 288 | 78 | 120 | 156 | 267 |
| | W3312 | 222 | 49 | 72 | 92 | 153 |
| | W3315 | 232 | 59 | 86 | 112 | 189 |
| | W3318 | 244 | 67 | 101 | 131 | 223 |
| | W3321 | 255 | 76 | 116 | 152 | 258 |
| | W3324 | 302 | 85 | 130 | 171 | 293 |
| | W3612 | 231 | 52 | 77 | 100 | 166 |
| | W3615 | 243 | 63 | 93 | 121 | 205 |
| | W3618 | 253 | 72 | 109 | 143 | 243 |
| | W3621 | 267 | 82 | 125 | 163 | 279 |
| | W3624 | 314 | 92 | 140 | 185 | 317 |

*Double door style
 *24" height cabinets have 1 shelf
 *All other height cabinets have no shelf

| Wall Blind Corner Cabinet | ITEM | BOX | Classic | Deluxe | Delight | Luxury |
|---------------------------|---------|-----|---------|--------|---------|--------|
| | WBC3030 | 358 | 63 | 93 | 121 | 205 |
| | WBC3036 | 390 | 72 | 109 | 143 | 243 |
| | WBC3042 | 435 | 82 | 125 | 163 | 279 |

*15" width doors and 6" width filler
 *Cabinet box is L/R reversible
 *30" & 36" height cabinets have 2 shelves, 42" have 3 shelves

Kitchen Cabinet MSRP List

| Wall Single Lift Cabinet | ITEM | BOX | Classic | Deluxe | Delight | Luxury |
|---|---------|-----|---------|--------|---------|--------|
| <p>*One door, lift up style *15" & 18" height cabinets recommend BLUM STAY LIFT *18" & 21" height cabinets recommend BLUM MIDDLE STAY LIFT *Price of lift-up hardware is excluded *Refer to P40 for hardware info</p> | WSL2412 | 147 | 32 | 49 | 64 | 109 |
| | WSL2712 | 158 | 37 | 55 | 72 | 121 |
| | WSL3012 | 167 | 40 | 60 | 78 | 135 |
| | WSL3312 | 176 | 43 | 66 | 85 | 146 |
| | WSL3612 | 185 | 46 | 70 | 93 | 159 |
| | WSL2415 | 159 | 40 | 60 | 78 | 135 |
| | WSL2715 | 169 | 44 | 67 | 87 | 150 |
| | WSL3015 | 178 | 48 | 74 | 95 | 166 |
| | WSL3315 | 187 | 52 | 79 | 106 | 182 |
| | WSL3615 | 198 | 56 | 86 | 114 | 198 |
| | WSL2418 | 169 | 46 | 70 | 93 | 159 |
| | WSL2718 | 179 | 51 | 78 | 104 | 178 |
| | WSL3018 | 190 | 56 | 86 | 114 | 198 |
| | WSL3318 | 199 | 60 | 94 | 125 | 216 |
| | WSL3618 | 209 | 66 | 102 | 137 | 235 |
| | WSL2421 | 179 | 52 | 82 | 108 | 184 |
| | WSL2721 | 190 | 58 | 91 | 120 | 207 |
| | WSL3021 | 200 | 64 | 100 | 131 | 229 |
| | WSL3321 | 210 | 69 | 109 | 145 | 251 |
| | WSL3621 | 222 | 75 | 118 | 156 | 273 |

| Wall Bi-Folding Cabinet | ITEM | BOX | Classic | Deluxe | Delight | Luxury |
|-------------------------|---------|-----|---------|--------|---------|--------|
| | WBF2430 | 237 | 78 | 120 | 156 | 267 |
| | WBF2730 | 252 | 86 | 132 | 175 | 298 |
| | WBF3030 | 267 | 94 | 146 | 192 | 330 |
| | WBF3330 | 281 | 104 | 159 | 210 | 361 |
| | WBF3630 | 296 | 112 | 173 | 228 | 393 |

*Fold up style, two attached doors divided equally
 *Recommend BLUM FOLD LIFT
 *Price of lift-up mechanism is excluded
 *Refer to P39 for hardware info

Kitchen Cabinet MSRP List

| Wall Easy Reach Cabinet | ITEM | BOX | Classic | Deluxe | Delight | Luxury |
|-------------------------|---------|-----|---------|--------|---------|--------|
| | WER2430 | 562 | 78 | 120 | 156 | 267 |
| | WER2436 | 597 | 92 | 140 | 185 | 317 |
| | WER2442 | 688 | 105 | 162 | 214 | 368 |

*Two attached doors
 *30" & 36" height cabinets have 2 shelves, 42" have 3 shelves
 *Hinge open angle is 155°(box-door)and 270°(door-door)
 *Not soft closing

| Wall Diagonal Cabinet | ITEM | BOX | Classic | Deluxe | Delight | Luxury |
|-----------------------|---------|-----|---------|--------|---------|--------|
| | WDC2430 | 465 | 56 | 86 | 114 | 198 |
| | WDC2436 | 500 | 66 | 102 | 137 | 235 |
| | WDC2442 | 598 | 75 | 118 | 156 | 273 |

*30" & 36" height cabinets have 2 shelves, 42" have 3 shelves
 *Hinge open angle=45°
 *Not soft-closing

| Pantry Cabinet | ITEM | BOX | Classic | Deluxe | Delight | Luxury |
|----------------|--------|------|---------|--------|---------|--------|
| | PC1584 | 783 | 140 | 212 | 277 | 470 |
| | PC1590 | 813 | 148 | 225 | 296 | 501 |
| | PC1596 | 842 | 156 | 238 | 313 | 534 |
| | PC1884 | 806 | 163 | 250 | 328 | 559 |
| | PC1890 | 836 | 173 | 263 | 348 | 597 |
| | PC1896 | 866 | 183 | 281 | 369 | 635 |
| | PC2484 | 957 | 235 | 350 | 454 | 764 |
| | PC2490 | 989 | 248 | 369 | 483 | 814 |
| | PC2496 | 1019 | 261 | 392 | 511 | 864 |

*Height of pantry include feet's height
 *Double doors style, lower doors are 30" height
 *Doors of horizontal grain have joints(DW,PP)

Kitchen Cabinet MSRP List

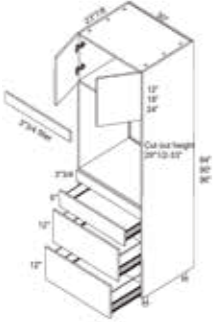
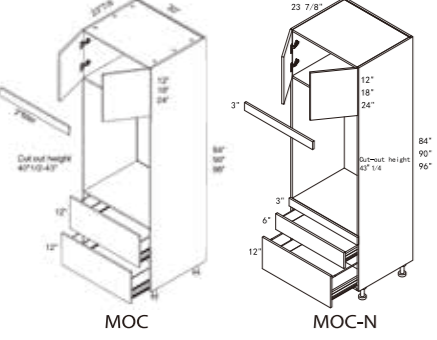
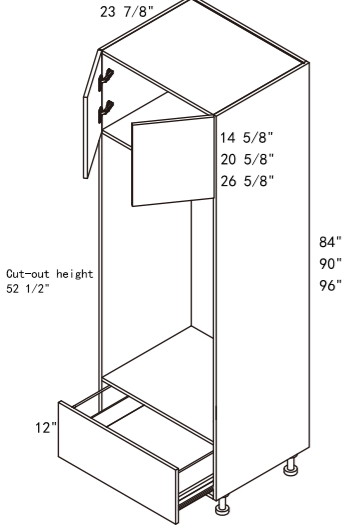
| Pantry Cabinet | ITEM | BOX | Classic | Deluxe | Delight | Luxury |
|----------------|----------|------|---------|--------|---------|--------|
| | PC2484DD | 957 | 235 | 350 | 454 | 764 |
| | PC2490DD | 989 | 248 | 369 | 483 | 814 |
| | PC2496DD | 1019 | 261 | 392 | 511 | 864 |
| | PC3084 | 1052 | 281 | 422 | 554 | 941 |
| | PC3090 | 1083 | 296 | 450 | 590 | 1004 |
| | PC3096 | 1116 | 313 | 476 | 626 | 1066 |
| | PC3684 | 1167 | 329 | 495 | 657 | 1123 |
| | PC3690 | 1199 | 348 | 526 | 701 | 1198 |
| | PC3696 | 1234 | 368 | 557 | 744 | 1275 |

*Height of pantry include feet's height
 *Quadruple doors style, lower doors are 30" height
 *Doors of horizontal grain have joints(DW,PP)

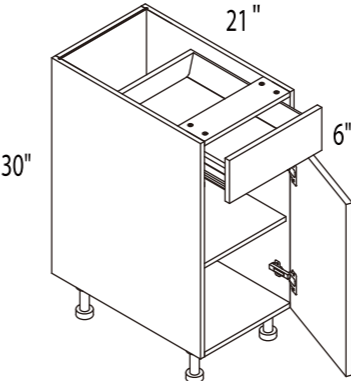
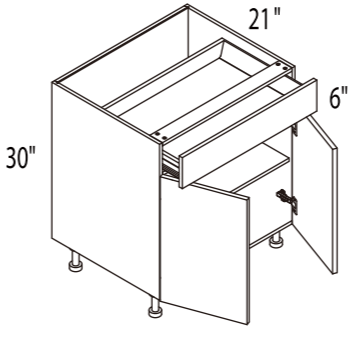
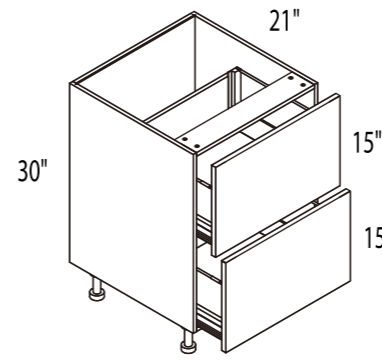
| Pantry Cabinet Door | ITEM | Classic |
|---------------------|------------|---------|
| | PC1584-N | 153 |
| | PC1884-N | 177 |
| | PC2484-N | 244 |
| | PC2484DD-N | 257 |
| | PC3084-N | 304 |
| | PC1590-N | 159 |
| | PC1890-N | 185 |
| | PC2490-N | 254 |
| | PC2490DD-N | 268 |
| | PC3090-N | 319 |
| | PC1596-N | 166 |
| | PC1896-N | 193 |
| | PC2496-N | 267 |

* Available for PP & DW style
 * Avoid joint doors
 * Extra hinges included

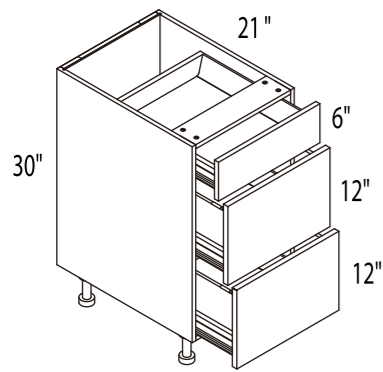
Kitchen Cabinet MSRP List

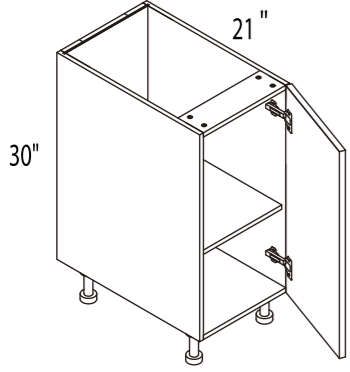
| Oven Tall Cabinet | ITEM | BOX | Classic | Deluxe | Delight | Luxury |
|--|----------|------|---------|--------|---------|--------|
|  | OC3084 | 1531 | 182 | 276 | 361 | 614 |
| | OC3090 | 1566 | 198 | 302 | 397 | 677 |
| | OC3096 | 1601 | 215 | 329 | 434 | 741 |
| <p>*Height of cabinet include feet's height *Appliance cut-out size is 29 1/2" - 33" *Triple drawers of 6", 12" & 12" height</p> | | | | | | |
| Micro-Oven Tall Cabinet | ITEM | BOX | Classic | Deluxe | Delight | Luxury |
|  | MOC3084 | 1339 | 148 | 225 | 296 | 501 |
| | MOC3090 | 1371 | 164 | 252 | 331 | 566 |
| | MOC3096 | 1402 | 181 | 278 | 367 | 629 |
| | MOC3084N | 1282 | 145 | 214 | 278 | 465 |
| | MOC3090N | 1316 | 161 | 240 | 314 | 529 |
| MOC3096N | 1348 | 178 | 266 | 350 | 593 | |
| <p>*Height of cabinet include feet's height *Appliance cut-out height is 40 1/2" - 43" for MOC *Two equal 12" height drawers for MOC *Appliance cut-out height is 43" 1/4 - 46" 1/4 *One N drawer and one H drawer combo</p> | | | | | | |
| Double-Oven Tall Cabinet | ITEM | BOX | Classic | Deluxe | Delight | Luxury |
|  | DOC3084 | 1107 | 109 | 166 | 217 | 368 |
| | DOC3090 | 1113 | 125 | 192 | 253 | 431 |
| | DOC3096 | 1160 | 143 | 219 | 289 | 496 |
| <p>*Height of cabinet include feet's height *Appliance cut-out height is 52 1/4" *Single 12" height drawer</p> | | | | | | |

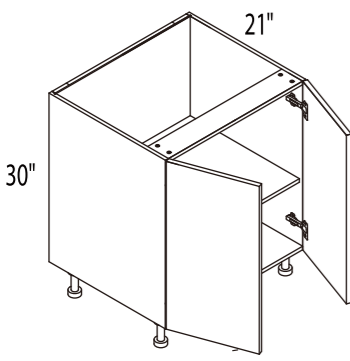
Vanity Cabinet MSRP List

| Vanity Base Cabinet | ITEM | BOX | Classic | Deluxe | Delight | Luxury |
|---|---------|-----|---------|--------|---------|--------|
|  | VB15 | 423 | 55 | 79 | 104 | 173 |
| | VB18 | 447 | 63 | 93 | 121 | 205 |
| | VB21 | 470 | 70 | 106 | 139 | 235 |
| | VB24 | 515 | 85 | 127 | 163 | 275 |
| <p>*One drawer one door style *6" height drawer and 24" height door *Drawer hardware price is included in BOX price *Alternative by corresponding kitchen cabinet doors</p> | | | | | | |
| Vanity Base Cabinet | ITEM | BOX | Classic | Deluxe | Delight | Luxury |
|  | VB24DD | 515 | 85 | 127 | 163 | 275 |
| | VB27 | 542 | 93 | 139 | 182 | 306 |
| | VB30 | 561 | 101 | 153 | 199 | 337 |
| | VB33 | 584 | 109 | 166 | 217 | 368 |
| | VB36 | 607 | 117 | 179 | 235 | 400 |
| <p>*One drawer double doors style *6" height drawer and 24" height doors *Drawer hardware price is included in BOX price *Alternative by corresponding kitchen cabinet doors</p> | | | | | | |
| Vanity 2-Drawers Base Cabinet | ITEM | BOX | Classic | Deluxe | Delight | Luxury |
|  | VDB12-2 | 531 | 47 | 67 | 85 | 140 |
| | VDB15-2 | 555 | 55 | 79 | 104 | 173 |
| | VDB18-2 | 580 | 63 | 93 | 121 | 205 |
| | VDB21-2 | 608 | 70 | 106 | 139 | 235 |
| | VDB24-2 | 631 | 78 | 120 | 156 | 267 |
| <p>*Two equal height drawers style (15") *Drawer hardware price is included in BOX price *Drawer hardware is separately packed *Alternative by corresponding kitchen cabinet doors</p> | | | | | | |

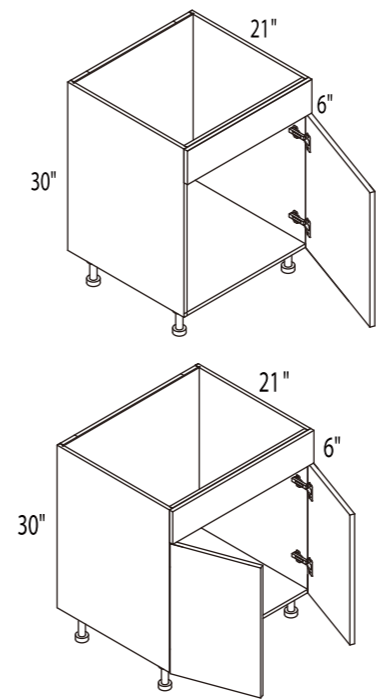
Vanity Cabinet MSRP List

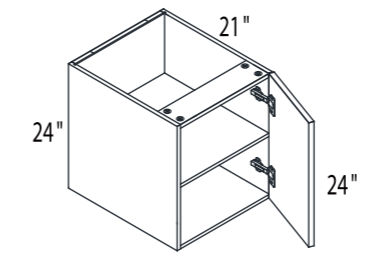
| Vanity 3-Drawers Base Cabinet | | ITEM | BOX | Classic | Deluxe | Delight | Luxury |
|--|---------|------|-----|---------|--------|---------|--------|
|  | VDB12-3 | 676 | 53 | 74 | 92 | 147 | |
| | VDB15-3 | 707 | 61 | 86 | 110 | 179 | |
| | VDB18-3 | 738 | 69 | 100 | 128 | 210 | |
| | VDB21-3 | 771 | 77 | 113 | 146 | 243 | |
| | VDB24-3 | 802 | 85 | 127 | 163 | 275 | |
| <p>*6", 12" & 12" height drawers segmented from top *Drawer hardware price is included in BOX price *Drawer hardware is separately packed *Alternative by corresponding kitchen cabinet doors</p> | | | | | | | |

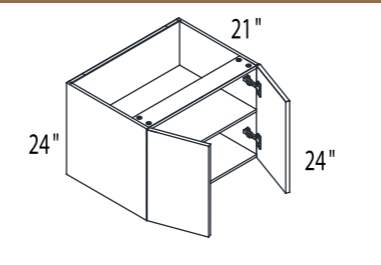
| Vanity Base Full Door Cabinet | | ITEM | BOX | Classic | Deluxe | Delight | Luxury |
|---|--------|------|-----|---------|--------|---------|--------|
|  | VB15FD | 269 | 48 | 74 | 95 | 166 | |
| | VB18FD | 285 | 56 | 86 | 114 | 198 | |
| | VB21FD | 301 | 64 | 100 | 131 | 229 | |
| | VB24FD | 339 | 78 | 120 | 156 | 267 | |
| <p>*Full height one door style *Alternative by corresponding kitchen cabinet doors</p> | | | | | | | |

| Vanity Full Door Sink Base Cabinet | | ITEM | BOX | Classic | Deluxe | Delight | Luxury |
|---|---------|------|-----|---------|--------|---------|--------|
|  | VB24FDD | 339 | 78 | 120 | 156 | 267 | |
| | VB27FD | 358 | 86 | 132 | 175 | 298 | |
| | VB30FD | 370 | 94 | 146 | 192 | 330 | |
| | VB33FD | 389 | 105 | 158 | 213 | 362 | |
| | VB36FD | 404 | 112 | 173 | 228 | 393 | |
| <p>*Full height double doors style *Alternative by corresponding kitchen cabinet doors</p> | | | | | | | |

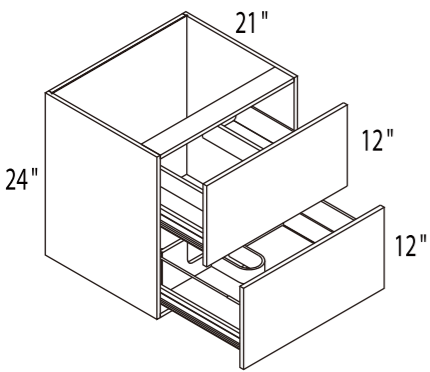
Vanity Cabinet MSRP List

| Vanity Sink Base Cabinet | | ITEM | BOX | Classic | Deluxe | Delight | Luxury |
|--|---------|------|-----|---------|--------|---------|--------|
|  | VSB24 | 289 | 85 | 127 | 163 | 275 | |
| | VSB24DD | 289 | 85 | 127 | 163 | 275 | |
| | VSB27 | 297 | 93 | 139 | 182 | 306 | |
| | VSB30 | 307 | 101 | 153 | 199 | 337 | |
| | VSB33 | 319 | 110 | 166 | 220 | 369 | |
| | VSB36 | 325 | 117 | 179 | 235 | 400 | |
| <p>*6" height dummy drawer panel on top *Double doors style (except VSB24 single door) *Alternative by corresponding kitchen cabinet doors</p> | | | | | | | |

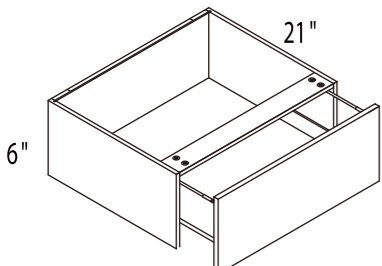
| Floating Vanity Base Cabinet | | ITEM | BOX | Classic | Deluxe | Delight | Luxury |
|---|-------|------|-----|---------|--------|---------|--------|
|  | FVB12 | 254 | 32 | 49 | 64 | 109 | |
| | FVB15 | 270 | 40 | 60 | 78 | 135 | |
| | FVB18 | 288 | 46 | 70 | 93 | 159 | |
| | FVB21 | 305 | 59 | 87 | 114 | 191 | |
| | FVB24 | 343 | 66 | 99 | 128 | 216 | |
| <p>*Floating style *One full height door</p> | | | | | | | |

| Floating Vanity Base Cabinet | | ITEM | BOX | Classic | Deluxe | Delight | Luxury |
|---|---------|------|-----|---------|--------|---------|--------|
|  | FVB24DD | 343 | 66 | 99 | 128 | 216 | |
| | FVB27 | 365 | 72 | 108 | 142 | 243 | |
| | FVB30 | 376 | 78 | 120 | 156 | 267 | |
| | FVB33 | 394 | 86 | 130 | 173 | 293 | |
| | FVB36 | 409 | 92 | 140 | 185 | 317 | |
| <p>*Floating style *Two full height doors</p> | | | | | | | |

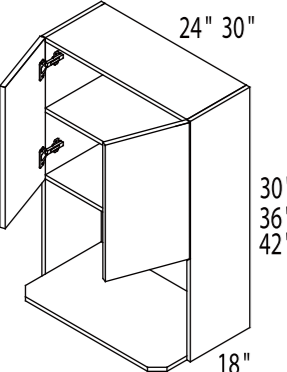
Vanity Cabinet MSRP List

| Floating Vanity Drawer Base Cabinet | ITEM | BOX | Classic | Deluxe | Delight | Luxury |
|---|-------|-----|---------|--------|---------|--------|
|  | FVD12 | 534 | 40 | 47 | 72 | 116 |
| | FVD15 | 564 | 47 | 55 | 85 | 140 |
| | FVD18 | 595 | 52 | 63 | 100 | 166 |
| | FVD21 | 624 | 59 | 72 | 114 | 191 |
| | FVD24 | 647 | 66 | 99 | 128 | 216 |
| | FVD27 | 675 | 72 | 109 | 143 | 243 |
| | FVD30 | 703 | 78 | 120 | 156 | 267 |
| | FVD33 | 730 | 85 | 130 | 171 | 293 |
| | FVD36 | 758 | 92 | 140 | 185 | 317 |

*Floating style
 *Two equal height (12") drawer fronts
 *Upper drawers apply normal height drawer hardware
 *FVD24 and wider box have sink cutout
 *Drawer hardware price is included in BOX price
 *Drawer hardware is separately packed

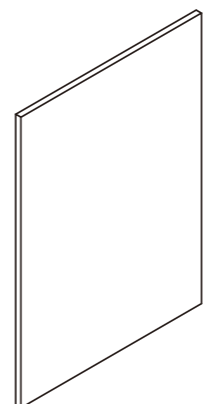
| Vanity Knee Drawer | ITEM | BOX | Classic | Deluxe | Delight | Luxury |
|---|-----------|-----|---------|--------|---------|--------|
|  | VKD240621 | 244 | 26 | 35 | 43 | 64 |
| | VKD300621 | 261 | 30 | 40 | 49 | 77 |

*Single drawer style of 6" height
 *Drawer hardware price is included in BOX price
 *Drawer hardware is separately packed

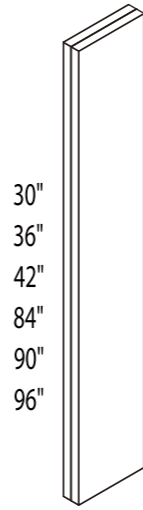
| Wall Microwave Cabinet | ITEM | Classic | Deluxe | Delight | Luxury |
|---|----------|---------|--------|---------|--------|
|  | WM2430DD | 363 | 531 | 667 | 1319 |
| | WM2436DD | 413 | 603 | 762 | 1479 |
| | WM2442DD | 463 | 676 | 857 | 1642 |
| | WM3030 | 423 | 616 | 780 | 1567 |
| | WM3036 | 480 | 702 | 894 | 1757 |
| | WM3042 | 535 | 785 | 1005 | 1946 |

*Matching finish of all box

Accessories MSRP List

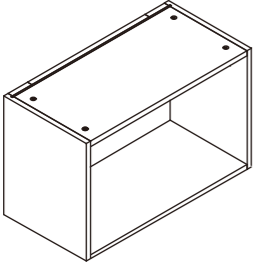
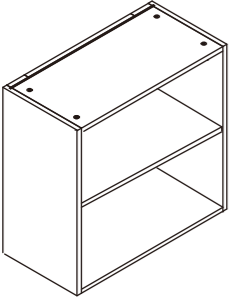
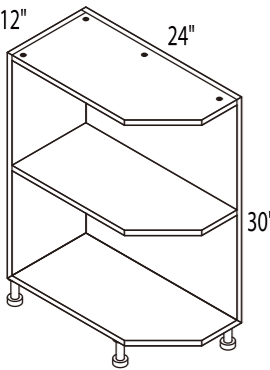
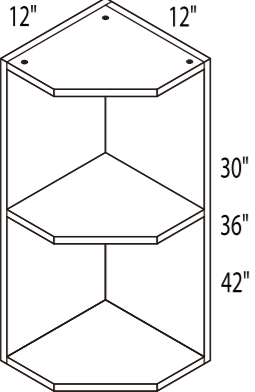
| Match End Panel | ITEM | ACTUAL SIZE | Classic | Deluxe | Delight | Luxury |
|---|--------------|-------------------|---------|--------|---------|--------|
|  | MBEP21 | 21 3/4" * 34 3/4" | 75 | 118 | 159 | 278 |
| | MBEP24 | 24 5/8" * 34 3/4" | 84 | 135 | 181 | 315 |
| | MBEP26 | 25 3/8" * 34 3/4" | 86 | 139 | 185 | 325 |
| | MBEP36 | 37 1/2" * 34 3/4" | 124 | 192 | 266 | 466 |
| | MBEP48 | 49 1/4" * 34 3/4" | 161 | 251 | 350 | 613 |
| | MBEP2124 | 21 3/4" * 24" | 56 | 86 | 114 | 198 |
| | MWEP1230 | 12 3/4" * 30" | 41 | 64 | 82 | 147 |
| | MWEP1236 | 12 3/4" * 36" | 48 | 76 | 95 | 176 |
| | MWEP1242 | 12 3/4" * 42" | 53 | 84 | 112 | 193 |
| | TEP8424 3/4" | 24 5/8" * 84" | 192 | 311 | 419 | 737 |
| | TEP9024 3/4" | 24 5/8" * 90" | 206 | 331 | 447 | 790 |
| | REF9624 3/4" | 24 5/8" * 95 3/4" | 219 | 344 | 478 | 842 |
| | TEP9634 3/4" | 34 3/4" * 95 3/4" | 308 | 500 | 667 | 1197 |
| | TEP9635 1/2" | 35 1/2" * 95 3/4" | 323 | 503 | 694 | 1244 |
| | REF9636 | 36" * 95 3/4" | 329 | 516 | 705 | 1273 |

*Same material as door panel, 3/4" or 5/8" thickness
 *Actual size may differ than item code indicates

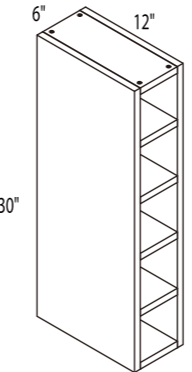
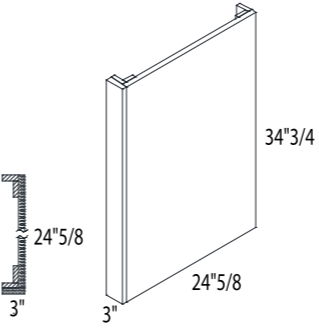
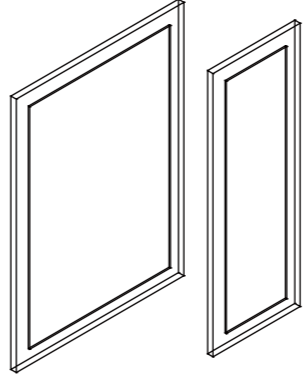
| Filler | ITEM | Classic | Deluxe | Delight | Luxury |
|---|-------|---------|--------|---------|--------|
|  | WF330 | 21 | 25 | 30 | 44 |
| | WF336 | 24 | 30 | 37 | 52 |
| | WF342 | 29 | 37 | 41 | 61 |
| | TF384 | 56 | 70 | 83 | 122 |
| | TF390 | 60 | 75 | 90 | 130 |
| | TF396 | 64 | 79 | 94 | 139 |
| | WF630 | 40 | 51 | 59 | 86 |
| | WF636 | 48 | 60 | 72 | 105 |
| | WF642 | 56 | 70 | 83 | 122 |
| | TF684 | 112 | 139 | 166 | 243 |
| | TF690 | 118 | 150 | 178 | 260 |
| | TF696 | 127 | 159 | 190 | 278 |

*Same material as door panel, 3/4" or 5/8" thickness
 *One extra panel is provided per filler

Accessories MSRP List

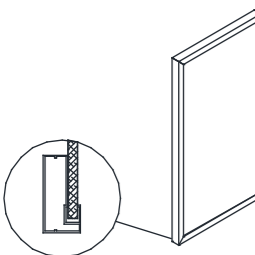
| Wall Open Cabinet | ITEM | Classic | Deluxe | Delight | Luxury |
|---|---------|---------|--------|---------|--------|
|  | WOC3015 | 170 | 258 | 337 | 572 |
| | WOC3615 | 197 | 297 | 388 | 659 |
| *Door Panel material *Finish faces toward interior | | | | | |
| Wall Open Cabinet | ITEM | Classic | Deluxe | Delight | Luxury |
|  | WOC3030 | 332 | 503 | 658 | 1116 |
| | WOC3630 | 384 | 580 | 757 | 1285 |
| *Door Panel material *Finish faces toward interior | | | | | |
| Base End Shelf Cabinet | ITEM | Classic | Deluxe | Delight | Luxury |
|  | BES12L | 216 | 328 | 428 | 814 |
| | BES12R | 216 | 328 | 428 | 814 |
| *Door panel material *Not Reversible | | | | | |
| Wall End Shelf Cabinet | ITEM | Classic | Deluxe | Delight | Luxury |
|  | WES1230 | 129 | 193 | 254 | 475 |
| | WES1236 | 146 | 219 | 285 | 528 |
| | WES1242 | 176 | 268 | 350 | 677 |
| *Door panel material *Left & Right Reversible | | | | | |

Accessories MSRP List

| Wine Rack Cabinet | ITEM | Classic | Deluxe | Delight | Luxury |
|---|--|-------------------|--------|---------|--------|
|  | WRC630 | 150 | 225 | 294 | 584 |
| | *Door panel material | | | | |
| Dishwasher End Panel | ITEM | Classic | Deluxe | Delight | Luxury |
|  | DWR3 | 139 | 193 | 244 | 391 |
| | *Door panel material *Left & Right Reversible | | | | |
| SBEP/SWEP | ITEM | Actual Size | MSRP | | |
|  | SBEP21 | 21 3/4" * 34 3/4" | 173 | | |
| | SBEP24 | 24 5/8" * 34 3/4" | 196 | | |
| | SBEP26 | 25 3/8" * 34 3/4" | 201 | | |
| | SBEP36 | 37 1/2" * 34 3/4" | 285 | | |
| | SBEP2130 | 21 3/4" * 30" | 155 | | |
| | SBEP2430 | 24 5/8" * 30" | 175 | | |
| | SBEP2630 | 25 3/8" * 30" | 179 | | |
| | SBEP3630 | 37 1/2" * 30" | 252 | | |
| | SBEP2124 | 21 3/4" * 21" | 120 | | |
| | SWEP1230 | 12 3/4" * 30" | 87 | | |
| | SWEP1236 | 12 3/4" * 36" | 104 | | |
| | SWEP1242 | 12 3/4" * 42" | 121 | | |
| *Shaker style end panel | | | | | |

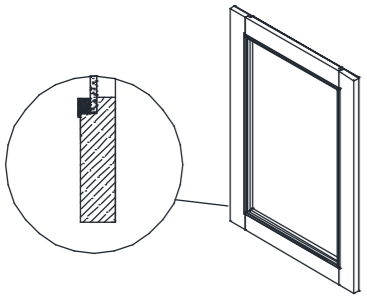
Accessories MSRP List

| Aluminum Frame Glass Door (E.G: GL-WMD1530 = glass door of 15" width, 30" height) | | | | | | | | |
|---|---|-------------|-----|-----|-----|--------------|-----|---------|
| H | W | Single Door | | | | Double Doors | | For WDC |
| | | 12" | 15" | 18" | 21" | 27" | 33" | WDC24 |
| 30" | | 147 | 164 | 183 | 200 | 313 | 348 | 174 |
| 36" | | 167 | 187 | 209 | 229 | 357 | 396 | 199 |
| 42" | | 187 | 212 | 235 | 259 | 396 | 446 | 223 |



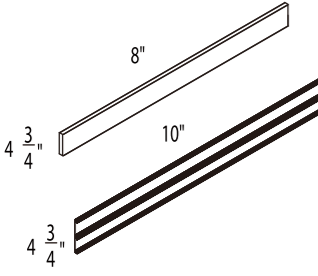
 *Aluminum frame 2"
 *Frosted glass
 *Standard hinge cup pre-drilled

| Shaker Style Glass Door (E.G: WSK-WMD1530 = glass door of 15" width, 30" height) | | | | | | | | |
|--|---|-------------|-----|-----|-----|--------------|-----|---------|
| H | W | Single Door | | | | Double Doors | | For WDC |
| | | 12" | 15" | 18" | 21" | 27" | 33" | WDC24 |
| 30" | | 95 | 120 | 144 | 167 | 215 | 262 | 131 |
| 36" | | 115 | 144 | 171 | 200 | 258 | 315 | 158 |
| 42" | | 133 | 167 | 200 | 233 | 300 | 367 | 184 |



 *Shaker style wood frame 3"
 *Clear glass
 *Standard hinge cup pre-drilled

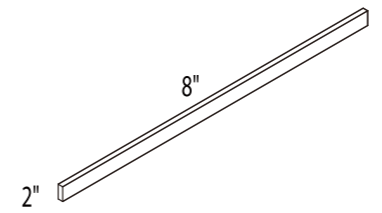
| Toe kick | | | | | |
|-----------|---------|--------|---------|--------|--|
| ITEM | Classic | Deluxe | Delight | Luxury | |
| TK8 | 51 | 79 | 106 | 183 | |
| TK 10 SET | | | 137 | | |



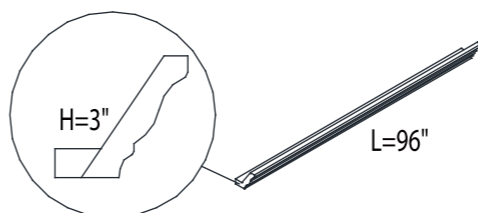
 *TK8 is as door front material
 *TK10 is as metal material
 *TK10 set Code: WJ220083

Accessories MSRP List

| Light Rail | | | | | |
|------------|---------|--------|---------|--------|--|
| ITEM | Classic | Deluxe | Delight | Luxury | |
| LR8 | 21 | 32 | 41 | 72 | |

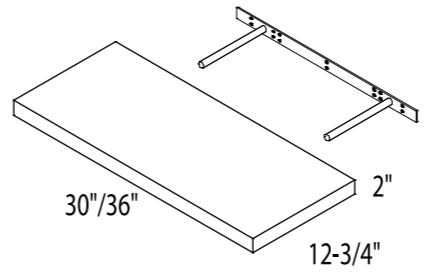


| Crown Molding | | ITEM | MSRP |
|---------------|--|------|------|
| | | CM8 | 262 |

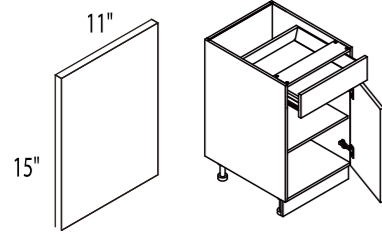


 *Only available for WSK/GSK /BSK style
 * WSK-CM8 WJ227477
 GSK-CM8 WJ229238
 BSK-CM8 WJ284195

| Floating Shelf | | | |
|----------------|----------|------|--|
| ITEM | CODE | MSRP | |
| DW-FS30 | WJ131148 | 146 | |
| DW-FS36 | WJ131147 | 178 | |
| WT-FS30 | WJ131150 | 178 | |
| WT-FS36 | WJ131153 | 217 | |
| GW-FS30 | WJ131152 | 260 | |
| GW-FS36 | WJ131149 | 336 | |
| WSK-FS30 | WJ131146 | 260 | |
| WSK-FS36 | WJ131151 | 336 | |




Accessories MSRP List

| Sample Door | ITEM | Classic | Deluxe | Delight | Luxury |
|--|------------------|---------|--------|---------|--------|
|  | Sample door | 21 | 29 | 40 | 59 |
| | Sample door 6*6 | 13 | 15 | 20 | 29 |
| | G-RTA Sample Box | 383 | | | |
| <p>*6"*6" Sample door for Shaker style is a slab *Sample Box door is Glossy White style</p> | | | | | |

| ITEM | CODE | MSRP |
|---------------|----------|------|
| DTC 110 HINGE | WJ081104 | 7 |
| DTC 45 HINGE | WJ081127 | 15 |
| DTC 155 HINGE | WJ081126 | 20 |
| DTC 270 HINGE | WJ081125 | 14 |

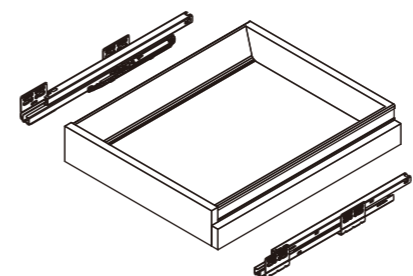
*DTC 110 HINGE is for regular standard open doors
 *DTC 45 HINGE is for WDC/DCSB cabinet
 *DTC 155 HINGE and DTC 270 HINGE are for WER/BER cabinets
 DTC 155 HINGE connects door to the box, while the DTC 270 HINGE connects two doors

| Handle | ITEM | CODE | MSRP |
|---|-------------------|----------|------|
|  | F07# 5" Brushed | WJ105163 | 14 |
| | F07# 10" Brushed | WJ105164 | 18 |
| | F07# 5" Polished | WJ105161 | 14 |
| | F07# 10" Polished | WJ105162 | 18 |

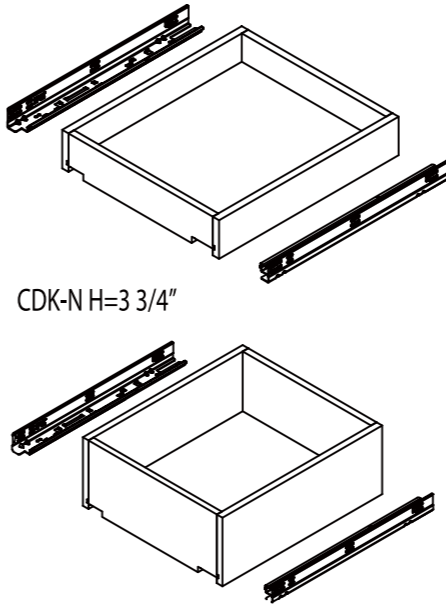
*Handles include screw

*Not all available items are shown in the list

Storage Solutions

| Roll Out Tray | ITEM | CODE | MSRP |
|---|-------|----------|------|
|  | ROT15 | WJ220902 | 201 |
| | ROT18 | WJ220903 | 216 |
| | ROT21 | WJ220904 | 232 |
| | ROT24 | WJ220905 | 246 |
| | ROT27 | WJ220906 | 261 |
| | ROT30 | WJ220912 | 277 |
| | ROT33 | WJ220913 | 293 |
| | ROT36 | WJ220919 | 308 |

*Pre-assembled drawer box
 *Item number indicates applicable cabinet width

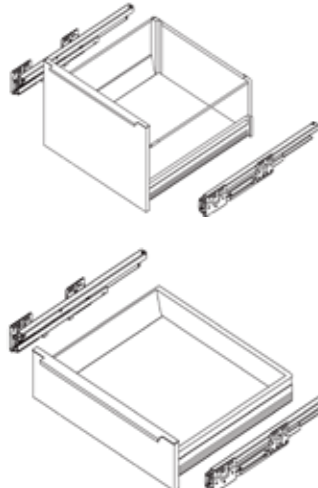
| Drawer Kit | ITEM | CODE | MSRP |
|---|--------|----------|------|
|  <p>CDK-N H=3 3/4"</p> <p>CDK-N H=7 1/2"</p> | CDK12N | WJ227567 | 156 |
| | CDK12H | WJ227568 | 185 |
| | CDK15N | WJ227569 | 162 |
| | CDK15H | WJ227570 | 192 |
| | CDK18N | WJ227571 | 169 |
| | CDK18H | WJ227572 | 202 |
| | CDK21N | WJ227573 | 174 |
| | CDK21H | WJ227574 | 209 |
| | CDK24N | WJ227575 | 179 |
| | CDK24H | WJ227576 | 217 |
| | CDK30N | WJ227577 | 190 |
| | CDK30H | WJ227578 | 233 |
| | CDK36N | WJ227579 | 200 |
| | CDK36H | WJ227580 | 250 |

*Wood(panel) drawer box with bottom mount drawer hardware
 *Replaceable for standard drawer sets
 *Item number indicates applicable cabinet width
 *Without door panel

*Not all available items are shown in the list

Storage Solutions

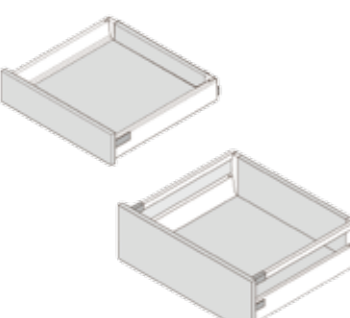
DTC Drawer



| ITEM | CODE | MSRP |
|------------------------------------|----------|------|
| DTC N DRAWER | WJ025487 | 128 |
| DTC H DRAWER | WJ025312 | 143 |
| METAL DRAWER SIDE FOR DTC H DRAWER | WJC20013 | 23 |
| GLASS SIDE PANEL FOR DTC H DRAWER | WJC20024 | 63 |

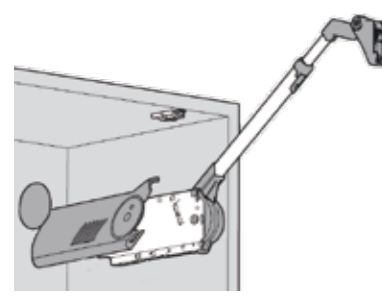
* Standard cabinet MSRP include in the drawer price (if there is any)

Blum® Drawer



| ITEM | CODE | MSRP |
|--|----------|------|
| BLUM M DRAWER | WJ025339 | 196 |
| BLUM D DRAWER | WJ025340 | 238 |
| Blum Tip-on Drawer M height | WJC10105 | 320 |
| Blum Tip-on Drawer D height | WJC10104 | 362 |
| Blum Tip-on Drawer Synchronization Linkage | WJC10045 | 31 |

Blum® Fold Lift

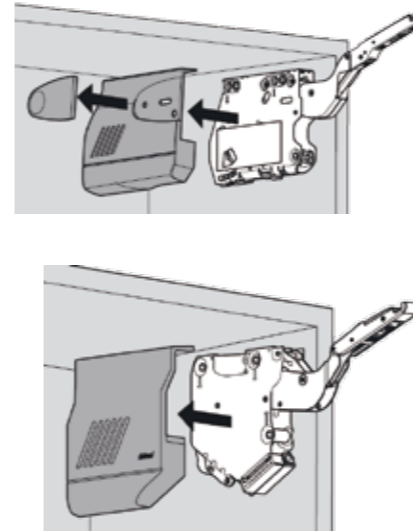


| ITEM | CODE | MSRP |
|----------------|----------|------|
| BLUM FOLD LIFT | WJ031093 | 626 |

*Not all available items are shown in the list

Storage Solutions

Blum® Lift Hinges



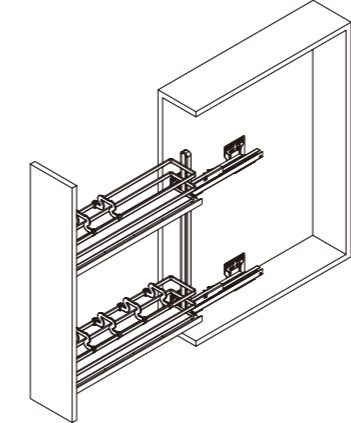
| ITEM | CODE | MSRP |
|-----------------------|----------|------|
| BLUM STAY LIFT | WJ031092 | 192 |
| BLUM MIDDLE STAY LIFT | WJ031133 | 376 |

*Please refer to the following sheet for hardware application

Suggested application for WSL cabinets

| H | W | 24" | 27" | 30" | 33" | 36" |
|-----|---|---------|---------|---------|---------|---------|
| 12" | | Regular | Regular | Regular | Regular | Regular |
| 15" | | Regular | Regular | Regular | Regular | Regular |
| 18" | | Middle | Middle | Middle | Middle | Middle |
| 21" | | Middle | Middle | Middle | Middle | Middle |

BSR06N/BSR09N Pull-out

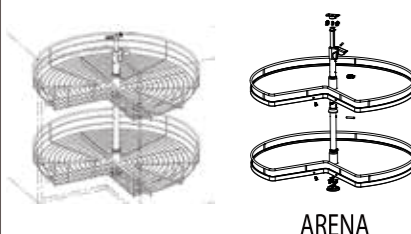


| ITEM | CODE | MSRP |
|-----------------|----------|------|
| BSR06N-PULL OUT | WJ012034 | 317 |
| BSR09N-PULL OUT | WJ012035 | 338 |


*Soft-close mechanism, left & right accessible

*Not all available items are shown in the list

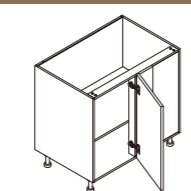
Storage Solutions

| Lazy Susan Tray | ITEM | CODE | MSRP |
|---|------------------|----------|------|
|  <p>ARENA</p> | BLS33-ARENA TRAY | WJ011396 | 800 |
| | BLS36-ARENA TRAY | WJ011397 | 1082 |
| | BLS33-TRAY | WJ011402 | 357 |
| | BLS36-TRAY | WJ011403 | 397 |

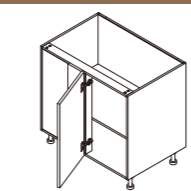
*Applied with BER & BLS cabinets

| BBC SWING OUT TRAY | ITEM | CODE | MSRP |
|--|------------------------------|----------|------|
|  | BBC SWING OUT TRAY LEFT OUT | WJ012432 | 941 |
| | BBC SWING OUT TRAY RIGHT OUT | WJ012433 | 941 |


* For BBC42-45 only



* Use BBC SWING OUT TRAY LEFT OUT




* Use BBC SWING OUT TRAY RIGHT OUT


| Pantry Pull-out | ITEM | CODE | MSRR |
|---|------------------------------------|----------|------|
|  | PC18XX PULLOUT TRAY BASKET & FRAME | WJ012013 | 1472 |
| | PC24XX PULLOUT TRAY BASKET & FRAME | WJ012010 | 1678 |

*Applied with PC cabinets of 18" & 24" width
 *Connected doors and clear cabinet interior are required for installing
 *One piece of these hardware include 2 packages

Storage Solutions

| Trash Can | ITEM | CODE | MSRP |
|---|-----------------|----------|------|
|  | BTC18 TRASH CAN | WJ071020 | 361 |
| | TWIN WASTE BIN | WJ224934 | 539 |

*Applied with 18" width base cabinets

| TOUCH UP KIT | ITEM | CODE | MSRP |
|--|--------------------------|----------|------|
|  | White color touch up kit | HG090023 | 5 |
| | Ash color touch up kit | HG090026 | 5 |
| | Gray color touch up kit | HG090036 | 5 |